

PRODUCT CATALOG

2025



By Olympia Manufacturing Co.TM
www.crowncabinets.com

75 YEARS

MADE IN THE U.S.A.

QUALITY CABINETRY SINCE 1950

DESCRIPTION	PAGE	DESCRIPTION	PAGE
Accessories Specifications	98-128	Custom Appliance Cutouts	90, 130
ADA Modification	130	Cutlery Dividers	115
Appliance Garages	116	Cutting Blocks	114
Appliance Plant on Panels/Doors	100	Cutting Block Base Cabinets	72
Base Apron Cabinets	80-81	Dealer Starter Kits	128
Base Cabinet Specifications	65-83	Decorative Corbels	113
Base Corner Shelf Cabinets	67-69, 74-75	Decorative Feet	113
Base Double Entry Cabinets	75-76	Decorative Legs	112
Base Drawer Cabinets	69-72	Desk Drawers	77, 94
Base Drawer with Bread Board Cabinets ..	71-72, 114	Dishwasher End Panels	99
Base End Angle Cabinet	76-77	3 Door Wall Cabinet Modifications	110, 130
Base Full Height Door Cabinets	68	Door Specifications - Crown	16-23
Base Microwave Cabinets	82	Door Specifications - Pro	15
Base Molding	110	Door / Drawer Front, Replacements	123
Base Open Shelf Cabinets	78	Drawer Box Dimensions	9-14
Base Oven Cabinets	77	Drawer Cabinets	69-72
Base Pull Out Cabinets	81-82	Drawer Upgrade	4, 6, 8, 130
Base Pull Out Spice Cabinets	81	End Panels	98-99
Base Pull Out Tray Cabinets	69, 117	Extended Stiles	124
Base Raised Dishwasher Cabinets	83	Factory Applied End Panels	29, 98, 130
Base Shelf End Panels	99-100	Feet	113
Base Spice Rack Cabinets	81-82, 115	File Drawer Cabinets	78, 94
Base Spice Rack Drawer Inserts	115	Fillers	103-104
Base Transition Cabinets	80	Filler Boxes	105
Base Tray Divider Cabinets	67, 119	Finish Codes	25
Base Warming Drawer Cabinets	82	Finish Specifications	24-25
Base Waste Cabinets	76, 119-122	Finished Interiors	27, 29, 66, 130
Base Waste Kits	119-122	Flat Crown Molding	106, 108, 109
Base Wine Rack Cabinets	79	Flush Toe Kick	66-67, 102, 130
Blind Corner Base Pullout	116-117	Glaze Options	25
Bookcase Cabinets	59	Hamper Roll Out	117
Bookcase Components	124	Hinges	119
Breadboard, Chop Block, Kits	114	Lattice Doors/Inserts	23, 29, 66, 126, 130
Chimney	43	Lazy Susan Base Cabinets	68-69
Criss-Cross Wine Rack	57, 79	Lazy Susan Shelf Kits	125
Color Block Samples	128	Legs	112
Construction Specifications		Lift up Door Options	122
Crown line particle board wall cabinet	5	Light Valance Molding	106-110
Construction Specifications		Loose Toe Kick	66-67, 102, 130
Crown line particle board base cabinet	6	Mantels	113
Construction Specifications		Medicine Cabinets	97
Crown line plywood wall cabinet	7	Mini Base Cabinet	128
Construction Specifications		Mixer Shelf	124
Crown line plywood base cabinet	8	Modifications / Upcharges	129-130
Construction Specifications		Modifications / Upcharge Pricing Crown Price List	
Pro line wall cabinet	28	7-9
Construction Specifications		Moldings	106-110
Crown line wall cabinets	29	Molding Sample Kit	128
Construction Specifications		Mullion Doors	29, 66
Pro line base cabinet	65	Nomenclature	27
Construction Specifications		Octagon Door Display Spinner	128
Crown Pro line base cabinet	66	Organizers For Desk	114
Corner Base Adjustable Cabinets	67-68	Oven Cabinets	77, 90
Corner Base Swing Out Shelves	117	Over The John Vanity Cabinets	97
Counter Supports	113	Paint Disclaimer	26
Corbels	113	Pantry Cabinet Specifications	84-89
Corner Sink Base Cabinets	73-74	Pantry Linen Cabinet Specifications	86-88
Crown Molding	106-109	Pantry Roll Out	117, 123

DESCRIPTION	PAGE	DESCRIPTION	PAGE
Pencil Drawer	77, 94	Vanity End Corner Cabinets	96
Peninsula End Shelf Panels	100	Vanity Full Height Door Cabinets	95
Peninsula Panels	98	Vanity Hamper Cabinets	95, 117
Plant On Panels/Doors	101	Vanity Linen Cabinets	86-89, 96
Plate Racks	61-62, 114	Vanity Open Shelf Cabinets	95
Pro Line Base Cabinet Specification	4, 65	Wall 24" Deep Refer Cabinets	38
Pro Line Wall Cabinet Specification	3, 28	Wall Appliance Garage Cabinets	55-56, 116
Pull Out Tray Kits	69, 117	Wall Blind Cabinets	49-50
Range Hood Fronts	44	Wall Cabinet Specifications	3, 5, 7, 28-29
Range Hood Covers	43-47, 110	Wall Corner Cabinets	39-42
Range Hood Ventilators	43-44	Wall Corner Open Shelf	53
Range Hood Wall Cabinets	43-47	Wall Corner Microwave Cabinets	53
Range Hood Chimney	43	Wall Corner Peninsula Cabinets	44
Refrigerator End Panels	99	Wall Corner Transom Cabinets	41
Scribe Molding	109	Wall Double Entry Cabinets	40, 48
Selling Center Displays	128	Wall Double Entry Corner Cabinets	40
Shelf End Panels	99-100	Wall Drawer Cabinets	54
Shelf Kits	118	Wall End Corner Cabinets	42
Sink Base Cabinets	72-74	Wall End Panels	98-99, 101
Sink Fronts	74	Wall Floating Shelves	64
Sliding Towel Rack	119	Wall Microwave Cabinets	51-53
Spice Drawer Insert	115	Wall Open Shelf Cabinets	58-62
Spice Rack Accessory	38, 115	Wall Open Shelf Plate Rack Cabinets	61-62, 114
Stain	126	Wall Open Shelf Spice Drawer Cabinets	60, 62
Stain Touch Up Pen	126	Wall Plate Rack Cabinets	61-62, 114
Stem Glass Holder	116	Wall Pull Out Cabinets	63-64
Styled Fillers	103	Wall Pull Out Spice Cabinet	63-64
Tilt Out Tray Kits	124	Wall Range Hood Cabinets	43-47
Toe Kick Covers	102, 110	Wall Refrigerator Cabinet	33-35, 38
Tray Divider Kits	119	Wall Shelf End Panels	99
Universal Oven Cabinet Specifications	77, 90	Wall Spice Rack Cabinets	38, 63-64
Utility Cabinet Specifications	84-89	Wall Square Corner Cabinets	42, 49-50
Utility Drawer Cabinets	87-88, 96	Wall Transition Cabinets	63
Utility Linen Cabinets	86-88	Wall Transom Cabinets	35-37, 41
Utility with Pull Out Trays	85, 117, 123	Wall Wine Rack Cabinets	56-57
Utility Pull Out Accessories	117, 123	Wood Spice Drawer Insert	115
Utility Pull Out Option	117, 123	Wood Utility Pull Outs	117, 123
Valances	111	Vanity Cabinet Specifications	4, 6, 8, 91-97
Vanity Base Cabinets	91-97	Warranty	131
Vanity Base Sink Cabinets	91-92, 95	Wood tops	127
Vanity Combination Drawer Sink Cabinets	92-93		
Vanity Drawer Base Cabinets	94		

Pro Line Particle Board Wall Cabinet Specifications

Solid Hardwood Face Frame

3/4" thick by 1 1/2" wide solid wood face frame. Joints are glued, stapled and screwed together. Frame rails are dadoed for top and bottom, frame stiles have rabbet joint for sides. Door hinges anchor to face frame. All face frame center stiles on double door cabinets are drilled for shelf clips.

Top reveal = 3/4"

Sides

3/8" thick particle board, dadoed for top, bottom.

Shelves

1/2" thick particle board, finished both sides. PVC edge banding on exposed edge. Lock into place with clear plastic shelf clips, adjustable every 2 1/2".

No shelves 18" high or less.

1 shelf 21" - 27" high.

2 shelves 30" - 36" high.

3 shelves 39", 42" high.

Shelf Clips

Clear plastic, locking. 5mm. Also located on the back of the face frame center stile for added shelf support on 27" and wider cabinets.

Top / Bottom

1/2" particle board top and bottom, finished both sides, dadoed into sides and face frame.

Bottom reveal = 3/4"

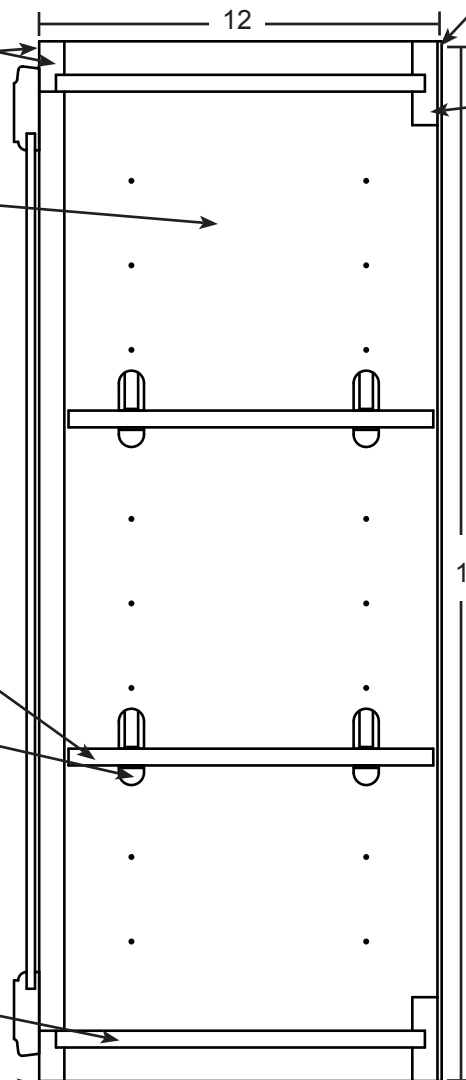
Side reveal = 3/4"

Back

1/8" tempered hardboard.

Hanging Rail

3/4" wood dadoed to top and bottom of cabinet.



12, 15, 18, 21, 24, 27, 30, 33, 36, 39, 42

Hinges

Concealed, 6 way adjustable. 106° opening. See page 119.

Available Widths - 9" to 48" in 3" increments

Compliance

Product made with material that complies with EPA TSCA Title VI and CARB Phase 2 emission standards in section 93120.2 of ATCM.

Interior - Natural maple melamine laminate.

Exterior - Unfinished, requires end panels.

Pro Line Particle Board Base Cabinet Specifications

Solid Hardwood Face Frame

$\frac{3}{4}$ " thick by $1\frac{1}{2}$ " wide solid wood face frame. Joints are glued, stapled and screwed together. Frame rails are dadoed for floor, frame stiles have rabbet joint for sides. Door hinges anchor to face frame. All face frame center stiles on double door cabinets are drilled for shelf clips.

Corner Blocks

Plastic corner blocks help keep cabinet square and aid in counter top installation.

Back

$\frac{1}{8}$ " tempered hardboard.

Hanging Rail

$\frac{3}{4}$ " CDX plywood.

Drawer Box

$\frac{1}{2}$ " thick particle board, natural maple print finish, edge banded on top, butt jointed and stapled. $\frac{3}{8}$ " thick particle board drawer bottom, stapled to box. Depth 20".

Drawer Glide

75 lb. epoxy coated side-mount hardware. Double captive rails, 2 mm drop for stay closed action, self adjusting rear socket, lifetime warranty.

Hinges

Concealed, 6 way adjustable. See page 119.

Pro Line Drawer Upgrade Options

Crown Drawer

1. $\frac{1}{2}$ " thick dovetail UV coated baltic birch plywood drawer box. $\frac{1}{4}$ " plywood drawer bottom, epoxy coated side mount glides, 75 lb. capacity. Depth 20".

Baltic Upgrade

2. $\frac{5}{8}$ " thick dovetail baltic, birch plywood, UV coated, drawer box. $\frac{1}{4}$ " captive drawer bottom. Undermount, full extension, soft close hardware, hardware lifetime warranty. Depth 21". 100 lb. capacity.

Sides

$\frac{3}{8}$ " thick particle board, dadoed for floor.

Reveal = $\frac{3}{4}$ "

Shelf

$\frac{1}{2}$ " thick particle board. PVC edge banding on exposed edge; full depth, adjustable.

Shelf Clips

Clear plastic, locking. 5mm. Also located on the back of the face frame center stile for added shelf support on 27" and wider cabinets.

Floor

$\frac{1}{2}$ " particle board floor, dadoed into sides and face frame.

Bottom reveal = $\frac{5}{8}$ "

Side reveal = $\frac{3}{4}$ ".

Toe Kick

$\frac{1}{2}$ " particle board toe kick stapled from sides. 4" toe kick height. Depth $\frac{3}{4}$ ".

Compliance

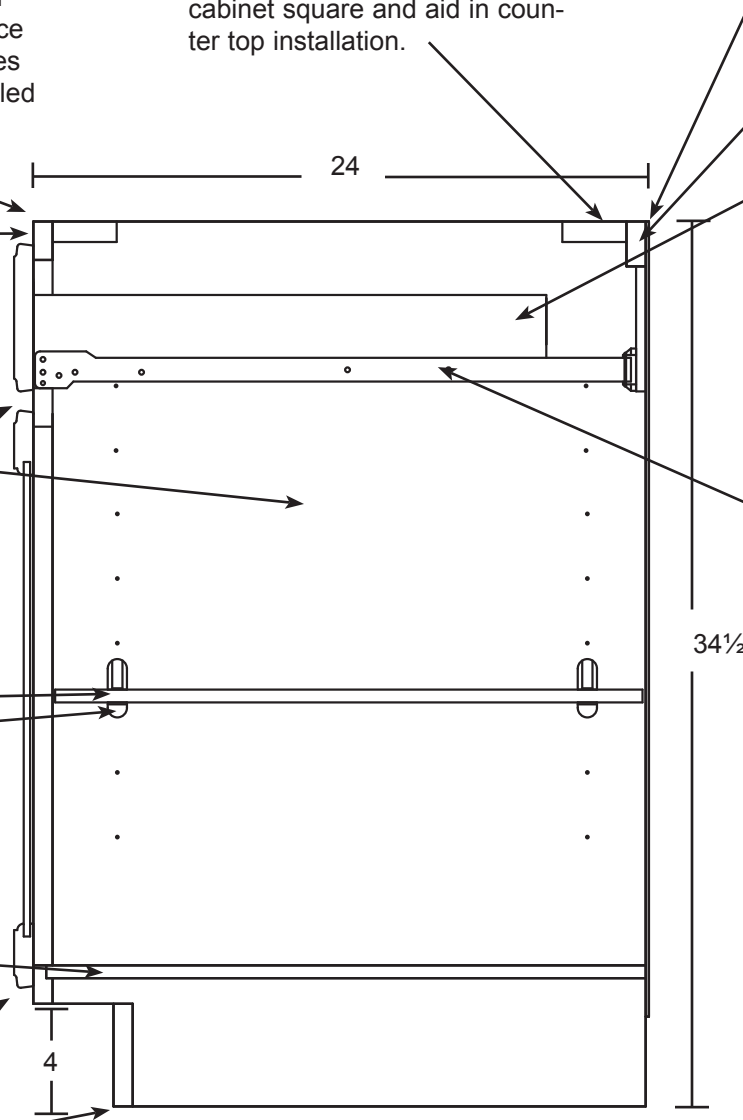
Product made with material that complies with EPA TSCA Title VI and CARB Phase 2 emission standards in section 93120.2 of ATCM.

Available Widths - 9" to 48" in 3" increments.

Interior - Natural maple melamine laminate.

Exterior - Unfinished, requires end panels.

Vanities - 18" or 21" deep. Comes standard with no back, except on drawer units. Optional back is available. Available heights 30" and $34\frac{1}{2}$ ".



Crown Line Particle Board Wall Cabinet Specifications

Solid Hardwood Face Frame

3/4" thick by 1 1/2" wide solid wood face frame. Joints are glued, stapled and screwed together. Top, bottom, and sides are dadoed into face frame. Door hinges anchor to face frame. All face frame center stiles on double door cabinets are drilled for shelf clips, unless Butt Doors option is used.

Top reveal 3/4"

Sides

1/2" thick particle board, dadoed for top, bottom, and back.
Optional 1/2" plywood.

Shelves

3/4" thick particle board, finished both sides. PVC edge banding on exposed edge. Lock into place in clear plastic shelf clips, adjustable every 2 1/2".

No shelves 18" high or less.

1 shelf 21" - 27" high.

2 shelves 30" - 36" high.

3 shelves 39", 48" high.

4 shelves 51" to 60" high.

Shelf Clips

Clear plastic, locking. 5mm.
Also located on the back of the face frame center stile for added shelf support on 27" and wider cabinets.

Top / Bottom

1/2" particle board top and bottom, finished both sides, dadoed into sides and face frame.

Bottom reveal:

Full overlay = 1/4"

Half overlay = 3/4"

Side reveal:

Full overlay = 1/4"

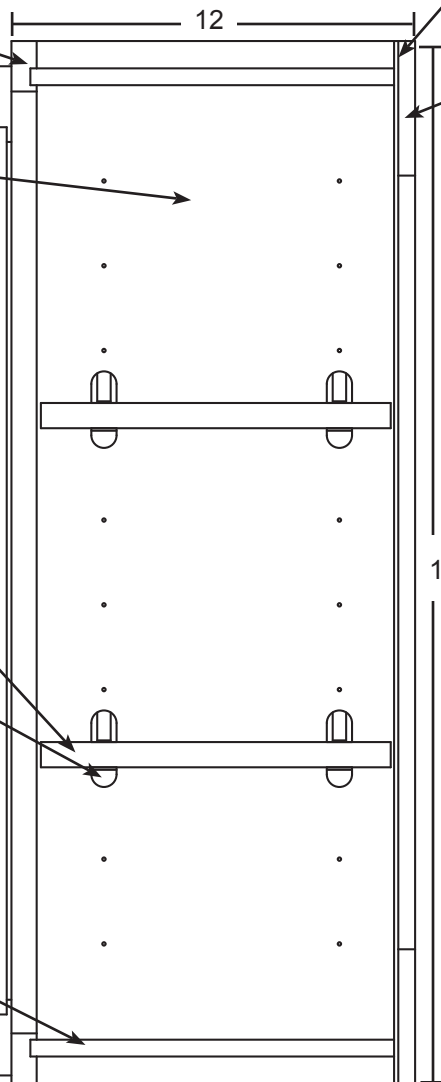
Half overlay = 3/4"

Back

1/8" tempered hardboard, dadoed into sides.

Hanging Rail

1/2" x 4" concealed hanging rail.



Hinges

Concealed 6 way adjustable,
Lifetime warranty.
Soft close.
107° opening.
See page 119.

Available Widths - 9" to 48" in 3" increments

Extended Stiles (ES) available, see page 124.

Compliance

Product made with material that complies with EPA TSCA Title VI and CARB Phase 2 emission standards in section 93120.2 of ATCM.

Interior - Natural maple melamine laminate.

Exterior - Unfinished, requires end panels.

Crown Line Particle Board Base Cabinet Specifications

Solid Hardwood Face Frame

¾" thick by 1½" wide solid wood face frame. Joints are glued, stapled and screwed together. Frame rails are dadoed for floor, frame stiles are dadoed for sides. Door hinges anchor to face frame. All face frame center stiles on double door cabinets are drilled for shelf clips, unless Butt Doors option is used.

Top reveal = 7/8"

Sides

½" thick particle board, dadoed for floor. Optional ½" plywood. Vanities 3/8" thick particle board.

Reveal = 3/4"

Shelf

¾" thick particle board. PVC edge banding on exposed edge; full depth, adjustable.

Shelf Clips

Clear plastic, locking. 5mm. Also located on the back of the face frame center stile for added shelf support on 27" and wider cabinets.

Floor

½" particle board floor, dadoed into sides and face frame.

Bottom reveal = 5/8"

Side reveal:

Full overlay = ¼"

Half overlay = ¾"

Toe Kick

½" particle board toe kick secured from behind.

4" toe kick height. Depth ¾".

Compliance

Product made with material that complies with EPA TSCA Title VI and CARB Phase 2 emission standards in section 93120.2 of ATCM.

Corner Blocks

Plastic corner blocks help keep cabinet square and aid in counter top installation.

Back

½" thick particle board.

Drawer Box

½" thick UV coated baltic birch plywood dovetailed drawer box. ¼" thick plywood drawer bottom. Depth 20".

Drawer Glide

75 lb. epoxy coated side-mount hardware. Double captive rails, 2 mm drop for stay-closed action, self-adjusting rear socket, lifetime warranty.

Baltic Upgrade

5/8" thick dovetail baltic birch plywood, UV coated drawer box.

34½" ¼" captive drawer bottom. Undermount, full extension, soft close hardware, hardware lifetime warranty. Depth 21". 100 lb. capacity.

Drawer Upgrade Plus

5/8" thick solid alder dovetailed drawer box. ¼" captive drawer bottom. Undermount, full extension, soft close hardware, hardware lifetime warranty. Depth 21". 100 lb. capacity. Deluxe glide.

Hinges

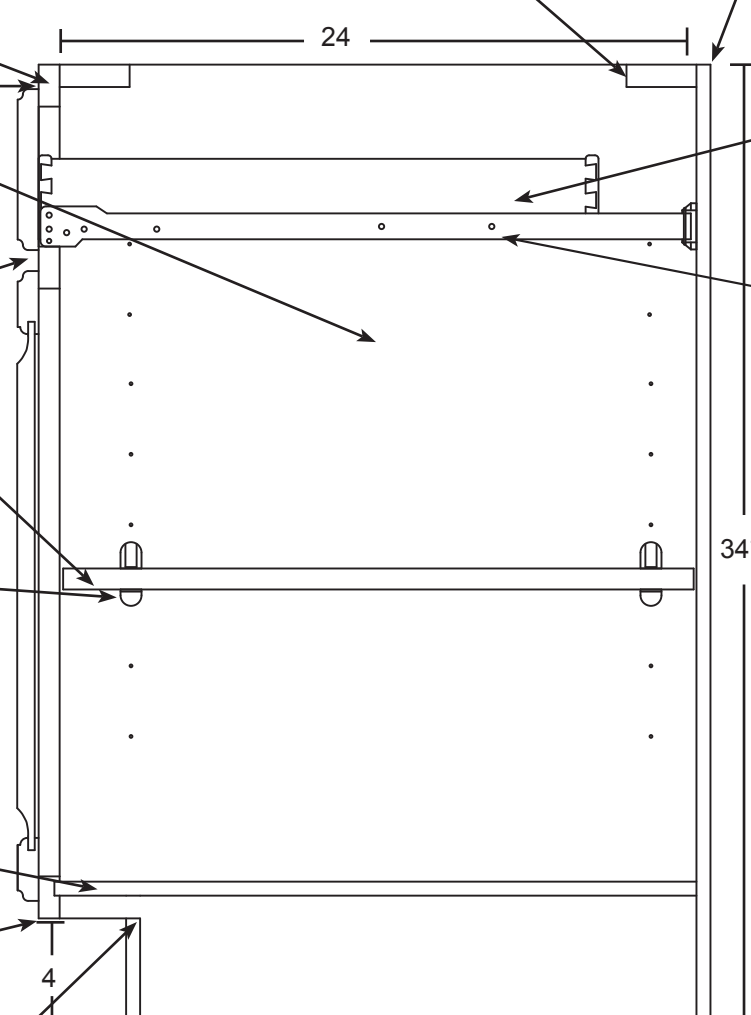
Concealed 6 way adjustable, lifetime warranty. Soft close. 107° opening. See page 119.

Available Widths - 9" to 48" in 3" increments
Extended Stiles (ES) available.
see page 124.

Interior - Natural maple melamine laminate.

Exterior - Unfinished, requires end panels.

Vanities - 18" or 21" deep. Available heights 30" and 34½".
½" plywood upgrade optional. Includes a back.



Crown Line Upgraded Plywood Wall Cabinet Specifications

Solid Hardwood Face Frame

3/4" thick by 1 1/2" wide solid wood face frame. Joints are glued, stapled and screwed together. Frame rails are dadoed for top and bottom, frame stiles have rabbet joint for sides. Door hinges anchor to face frame. All face frame center stiles on double door cabinets are drilled for shelf clips, unless Butt Doors option is used.

Top reveal = 3/4"

Sides

1/2" thick plywood, dadoed for top, bottom.

Shelves

3/4" thick plywood, finished both sides. PVC edge banding on exposed edge. Lock into place with clear plastic shelf clips, adjustable every 2 1/2".

No shelves 18" high or less.

1 shelf 21" - 27" high.

2 shelves 30" - 36" high.

3 shelves 39", 48" high.

4 shelves 51" to 60" high.

Shelf Clips

Clear plastic, locking. 5mm. Also located on the back of the face frame center stile for added shelf support on 27" and wider cabinets.

Top / Bottom

1/2" plywood top and bottom, finished both sides, dadoed into sides and face frame.

Bottom reveal:

Full overlay = 1/4"

Half overlay = 3/4"

Side reveal:

Full overlay = 1/4"

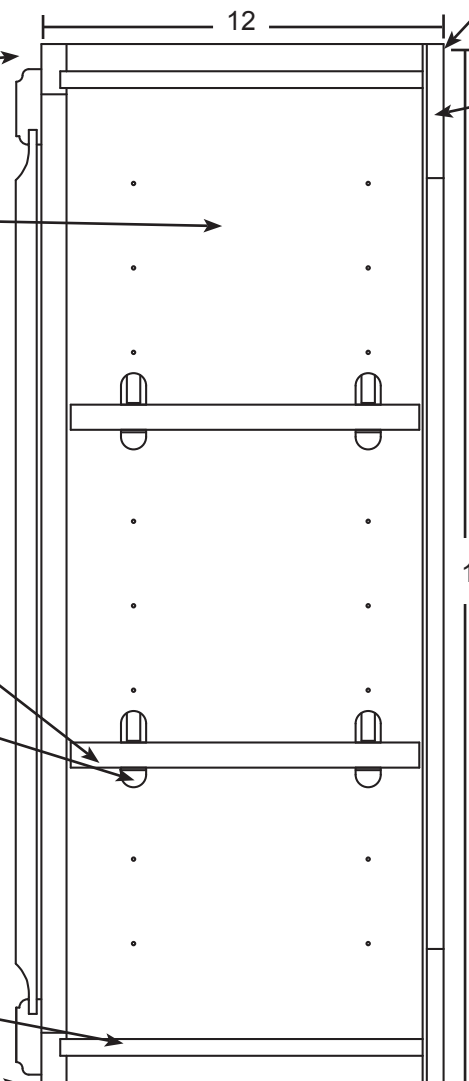
Half overlay = 3/4".

Back

1/8" plywood dadoed into sides.

Hanging Rail

1/2" x 4" Concealed hanging rail.



12 to 42, 45 to 60 up to 36" wide.

Hinges

Concealed 6 way adjustable, lifetime warranty. Soft close. 107° opening. See page 119.

Available Widths - 9" to 48" in 3" increments

Extended Stiles (ES) available, see page 124.

Interior - Natural maple melamine laminate.

Exterior - Unfinished, requires end panels.

Crown Line Upgraded Plywood Base Cabinet Specifications

Solid Hardwood Face Frame

$\frac{3}{4}$ " thick by $1\frac{1}{2}$ " wide solid wood face frame. Joints are glued, stapled and screwed together. Frame rails are dadoed for floor, and sides. Door hinges anchor to face frame. All face frame center stiles on double door cabinets are drilled for shelf clips, unless Butt Doors option is used.

Top reveal = $\frac{7}{8}$ "

Sides

$\frac{1}{2}$ " thick plywood, dadoed for floor.

Reveal = $\frac{3}{4}$ "

Shelf

$\frac{3}{4}$ " thick plywood. PVC edge banding on exposed edge; full depth, adjustable.

Shelf Clips

Clear plastic, locking. 5mm. Also located on the back of the face frame center stile for added shelf support on 27" and wider cabinets.

Floor

$\frac{1}{2}$ " plywood floor, dadoed into sides and face frame.

Bottom reveal = $\frac{5}{8}$ ".

Side reveal:

Full = $\frac{1}{4}$ "

Half = $\frac{3}{4}$ ".

Toe Kick

$\frac{1}{2}$ " plywood toe kick stapled from back. 4" toe kick height. Depth $3\frac{1}{4}$ ".

Corner Blocks

Plastic corner blocks help keep cabinet square and aid in counter top installation.

Back

$\frac{1}{2}$ " plywood.

Drawer Box

$\frac{1}{2}$ " thick UV coated baltic birch plywood dovetailed drawer box. $\frac{1}{4}$ " thick plywood drawer bottom. Depth 20".

Drawer Glide

75 lb. epoxy coated side-mount hardware. Single captive rails, 2 mm drop for stay-closed action, lifetime warranty.

Baltic Upgrade

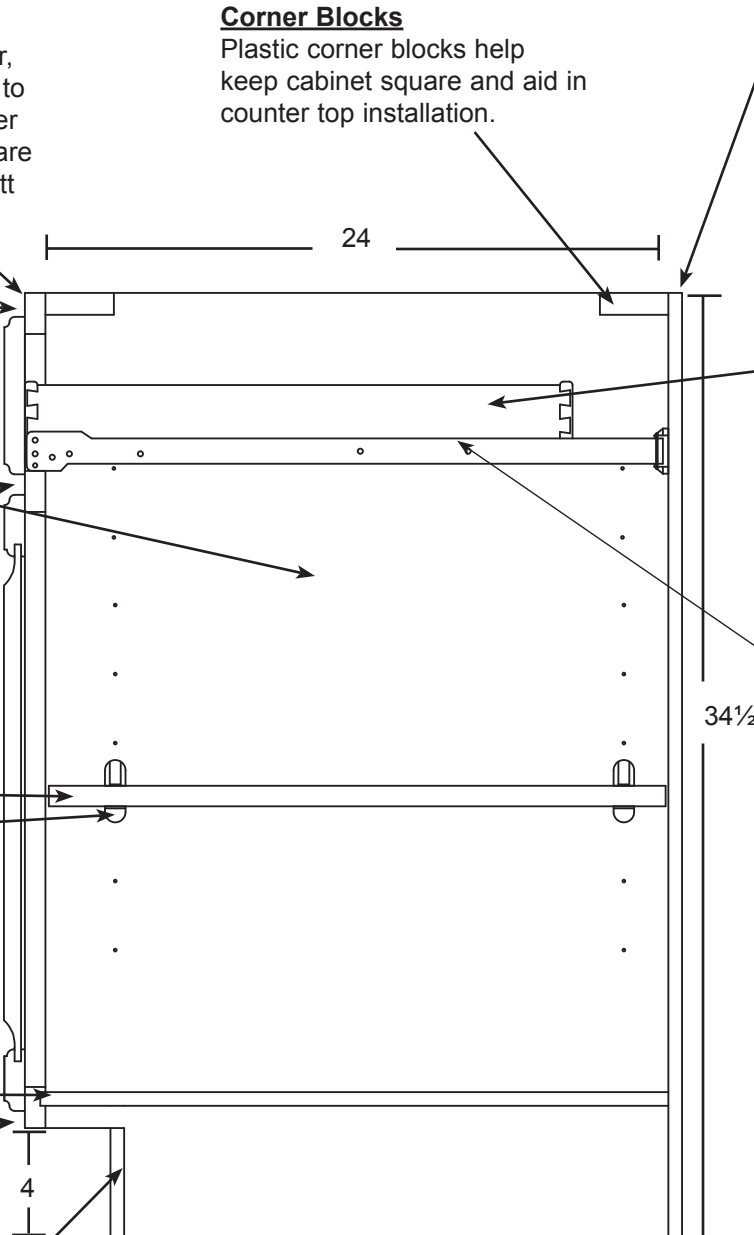
$\frac{5}{8}$ " thick dovetail baltic birch plywood, UV coated drawer box. $\frac{1}{4}$ " captive drawer bottom. Undermount, full extension, soft close hardware, hardware lifetime warranty. Depth 21". 100 lb. capacity.

Drawer Upgrade Plus

$\frac{5}{8}$ " thick solid alder dovetailed drawer box. $\frac{1}{4}$ " captive drawer bottom. Undermount, full extension, soft close hardware, hardware lifetime warranty. Depth 21". 100 lb. capacity. Deluxe glide.

Hinges

Concealed 6 way adjustable, lifetime warranty. Soft close. 107° opening. See page 119.



Available Widths - 9" to 48" in 3" increments
Extended Stiles (ES) available, see page 124.

Interior - Natural maple melamine laminate.

Exterior - Unfinished, requires end panels.

Vanities - 18" or 21" deep. Available heights 30" and $34\frac{1}{2}$ ". $\frac{1}{2}$ " construction on sides. Includes back.

Drawer Box Dimensions



Crown Cabinets		Dimensions			
Crown Line		Standard		Upgrades	
Cabinet	Drawer Position	Outside W x D x H	Inside W x D x H	Outside W x D x H	Inside W x D x H
BASE CABINETS					
B09	top	5" x 20" x 3 1/4"	4" x 19" x 3"	5 5/8" x 21" x 4"	4 3/8" x 19 3/4" x 3 1/4"
B12	top	8" x 20" x 3 1/4"	7" x 19" x 3"	8 5/8" x 21" x 4"	7 3/8" x 19 3/4" x 3 1/4"
B15	top	11" x 20" x 3 1/4"	10" x 19" x 3"	11 5/8" x 21" x 4"	10 3/8" x 19 3/4" x 3 1/4"
B18	top	14" x 20" x 3 1/4"	13" x 19" x 3"	14 5/8" x 21" x 4"	13 3/8" x 19 3/4" x 3 1/4"
B21	top	17" x 20" x 3 1/4"	16" x 19" x 3"	17 5/8" x 21" x 4"	16 3/8" x 19 3/4" x 3 1/4"
B24	top	20" x 20" x 3 1/4"	19" x 19" x 3"	20 5/8" x 21" x 4"	19 3/8" x 19 3/4" x 3 1/4"
B27	top	23" x 20" x 3 1/4"	22" x 19" x 3"	23 5/8" x 21" x 4"	22 3/8" x 19 3/4" x 3 1/4"
B30	top 2	11" x 20" x 3 1/4"	10" x 19" x 3"	11 5/8" x 21" x 4"	10 3/8" x 19 3/4" x 3 1/4"
B30SD	top	26" x 20" x 3 1/4"	25" x 19" x 3"	26 5/8" x 21" x 4"	25 3/8" x 19 3/4" x 3 1/4"
B33	top 2	12 1/2" x 20" x 3 1/4"	11 1/2" x 19" x 3"	13 1/8" x 21" x 4"	11 7/8" x 19 3/4" x 3 1/4"
B33SD	top	29" x 20" x 3 1/4"	28" x 19" x 3"	29 5/8" x 21" x 4"	28 3/8" x 19 3/4" x 3 1/4"
B36	top 2	14" x 20" x 3 1/4"	13" x 19" x 3"	14 5/8" x 21" x 4"	13 3/8" x 19 3/4" x 3 1/4"
B36SD	top	32" x 20" x 3 1/4"	31" x 19" x 3"	32 5/8" x 21" x 4"	31 3/8" x 19 3/4" x 3 1/4"
B39	top 2	15 1/2" x 20" x 3 1/4"	14 1/2" x 19" x 3"	16 1/8" x 21" x 4"	14 7/8" x 19 3/4" x 3 1/4"
B42	top 2	17" x 20" x 3 1/4"	16" x 19" x 3"	17 5/8" x 21" x 4"	16 3/8" x 19 3/4" x 3 1/4"
B45	top 2	18 1/2" x 20" x 3 1/4"	17 1/2" x 19" x 3"	19 1/8" x 21" x 4"	17 7/8" x 19 3/4" x 3 1/4"
B48	top 2	20" x 20" x 3 1/4"	19" x 19" x 3"	20 5/8" x 21" x 4"	19 3/8" x 19 3/4" x 3 1/4"
BASE CABINETS 12 DEEP					
B0912	top	5" x 8" x 3 1/4"	4" x 7" x 3"	5 5/8" x 9" x 4"	4 3/8" x 7 3/4" x 3 1/4"
B1212	top	8" x 8" x 3 1/4"	7" x 7" x 3"	8 5/8" x 9" x 4"	7 3/8" x 7 3/4" x 3 1/4"
B1512	top	11" x 8" x 3 1/4"	10" x 7" x 3"	11 5/8" x 9" x 4"	10 3/8" x 7 3/4" x 3 1/4"
B1812	top	14" x 8" x 3 1/4"	13" x 7" x 3"	14 5/8" x 9" x 4"	13 3/8" x 7 3/4" x 3 1/4"
B2112	top	17" x 8" x 3 1/4"	16" x 7" x 3"	17 5/8" x 9" x 4"	16 3/8" x 7 3/4" x 3 1/4"
B2412	top	20" x 8" x 3 1/4"	19" x 7" x 3"	20 5/8" x 9" x 4"	19 3/8" x 7 3/4" x 3 1/4"
B2712	top	23" x 8" x 3 1/4"	22" x 7" x 3"	23 5/8" x 9" x 4"	22 3/8" x 7 3/4" x 3 1/4"
B3012	top 2	11" x 8" x 3 1/4"	10" x 7" x 3"	11 5/8" x 9" x 4"	10 3/8" x 7 3/4" x 3 1/4"
B3012SD	top	26" x 8" x 3 1/4"	25" x 7" x 3"	26 5/8" x 9" x 4"	25 3/8" x 7 3/4" x 3 1/4"
B3312	top 2	12 1/2" x 8" x 3 1/4"	11 1/2" x 7" x 3"	13 1/8" x 9" x 4"	11 7/8" x 7 3/4" x 3 1/4"
B3312SD	top	29" x 8" x 3 1/4"	28" x 7" x 3"	29 5/8" x 9" x 4"	28 3/8" x 7 3/4" x 3 1/4"
B3612	top 2	14" x 8" x 3 1/4"	13" x 7" x 3"	14 5/8" x 9" x 4"	13 3/8" x 7 3/4" x 3 1/4"
B3612SD	top	32" x 8" x 3 1/4"	31" x 7" x 3"	32 5/8" x 9" x 4"	31 3/8" x 7 3/4" x 3 1/4"
B3912	top 2	15 1/2" x 8" x 3 1/4"	14 1/2" x 7" x 3"	16 1/8" x 9" x 4"	14 7/8" x 7 3/4" x 3 1/4"
B4212	top 2	17" x 8" x 3 1/4"	16" x 7" x 3"	17 5/8" x 9" x 4"	16 3/8" x 7 3/4" x 3 1/4"
B4512	top 2	18 1/2" x 8" x 3 1/4"	17 1/2" x 7" x 3"	19 1/8" x 9" x 4"	17 7/8" x 7 3/4" x 3 1/4"
B4812	top 2	20" x 8" x 3 1/4"	19" x 7" x 3"	20 5/8" x 9" x 4"	19 3/8" x 7 3/4" x 3 1/4"

Crown Cabinets		Dimensions			
Crown Line		Standard		Upgrades	
Cabinet	Drawer Position	Outside W x D x H	Inside W x D x H	Outside W x D x H	Inside W x D x H
CORNER BASE ADJUSTABLE CABINETS					
CB3639	top	6 1/2" x 20" x 3 1/4"	5 1/2" x 19" x 3"	7 1/8" x 21" x 4"	5 7/8" x 19 3/4" x 3 1/4"
CB3942	top	9 1/2" x 20" x 3 1/4"	8 1/2" x 19" x 3"	10 1/8" x 21" x 4"	8 7/8" x 19 3/4" x 3 1/4"
CB4245	top	12 1/2" x 20" x 3 1/4"	11 1/2" x 19" x 3"	13 1/8" x 21" x 4"	11 7/8" x 19 3/4" x 3 1/4"
CB4548	top	15 1/2" x 20" x 3 1/4"	14 1/2" x 19" x 3"	16 1/8" x 21" x 4"	14 7/8" x 19 3/4" x 3 1/4"
CB4851	top	18 1/2" x 20" x 3 1/4"	17 1/2" x 19" x 3"	19 1/8" x 21" x 4"	17 7/8" x 19 3/4" x 3 1/4"
BASE DRAWER POT & PAN CABINETS					
BD30	top 2	11" x 20" x 3 1/4"	10" x 19" x 3"	11 5/8" x 21" x 4"	10 3/8" x 19 3/4" x 3 1/4"
BD30	bottom 2	26" x 20" x 7 1/4"	25" x 19" x 7"	26 5/8" x 21" x 8"	25 3/8" x 19 3/4" x 7 1/4"
BD33	top 2	12 1/2" x 20" x 3 1/4"	11 1/2" x 19" x 3"	13 1/8" x 21" x 4"	11 7/8" x 19 3/4" x 3 1/4"
BD33	bottom 2	29" x 20" x 7 1/4"	28" x 19" x 7"	29 5/8" x 21" x 8"	28 3/8" x 19 3/4" x 7 1/4"
BD36	top 2	14" x 20" x 3 1/4"	13" x 19" x 3"	14 5/8" x 21" x 4"	13 3/8" x 19 3/4" x 3 1/4"
BD36	bottom 2	32" x 20" x 7 1/4"	31" x 19" x 7"	32 5/8" x 21" x 8"	31 3/8" x 19 3/4" x 7 1/4"
COMBINATION 5 DRAWER BASE CABINETS					
CDBD30	top 2 small	11" x 20" x 3 1/4"	10" x 19" x 3"	11 5/8" x 21" x 4"	10 3/8" x 19 3/4" x 3 1/4"
CDBD30	top large	11" x 20" x 7 1/4"	10" x 19" x 7"	11 5/8" x 21" x 8"	10 3/8" x 19 3/4" x 7 1/4"
CDBD30	bottom 2	26" x 20" x 4 1/4"	25" x 19" x 4"	26 5/8" x 21" x 5"	25 3/8" x 19 3/4" x 4 1/4"
CDBD33	top 2 small	12 1/2" x 20" x 3 1/4"	11 1/2" x 19" x 3"	13 1/8" x 21" x 4"	11 7/8" x 19 3/4" x 3 1/4"
CDBD33	top large	12 1/2" x 20" x 7 1/4"	11 1/2" x 19" x 7"	13 1/8" x 21" x 8"	11 7/8" x 19 3/4" x 7 1/4"
CDBD33	bottom 2	29" x 20" x 4 1/4"	28" x 19" x 4"	29 5/8" x 21" x 5"	28 3/8" x 19 3/4" x 4 1/4"
CDBD36	top 2 small	14" x 20" x 3 1/4"	13" x 19" x 3"	14 5/8" x 21" x 4"	13 3/8" x 19 3/4" x 3 1/4"
CDBD36	top large	14" x 20" x 7 1/4"	13" x 19" x 7"	14 5/8" x 21" x 8"	13 3/8" x 19 3/4" x 7 1/4"
CDBD36	bottom 2	32" x 20" x 4 1/4"	31" x 19" x 4"	32 5/8" x 21" x 5"	31 3/8" x 19 3/4" x 4 1/4"
1 DRAWER CABINETS					
1D18	n/a	14" x 20" x 7 1/4"	13" x 19" x 7"	14 5/8" x 21" x 8"	13 3/8" x 19 3/4" x 7 1/4"
1D21	n/a	17" x 20" x 7 1/4"	16" x 19" x 7"	17 5/8" x 21" x 8"	16 3/8" x 19 3/4" x 7 1/4"
1D24	n/a	20" x 20" x 7 1/4"	19" x 19" x 7"	20 5/8" x 21" x 8"	19 3/8" x 19 3/4" x 7 1/4"
1D27	n/a	23" x 20" x 7 1/4"	22" x 19" x 7"	23 5/8" x 21" x 8"	22 3/8" x 19 3/4" x 7 1/4"
1D30	n/a	26" x 20" x 7 1/4"	25" x 19" x 7"	26 5/8" x 21" x 8"	25 3/8" x 19 3/4" x 7 1/4"
1D33	n/a	29" x 20" x 7 1/4"	28" x 19" x 7"	29 5/8" x 21" x 8"	28 3/8" x 19 3/4" x 7 1/4"
1D36	n/a	32" x 20" x 7 1/4"	31" x 19" x 7"	32 5/8" x 21" x 8"	31 3/8" x 19 3/4" x 7 1/4"
2 DRAWER CABINETS					
2D18	both	14 5/8" x 21" x 10"	13 3/8" x 19 3/4" x 9 1/4"	14 5/8" x 21" x 10"	13 3/8" x 19 3/4" x 9 1/4"
2D21	both	17 5/8" x 21" x 10"	16 3/8" x 19 3/4" x 9 1/4"	17 5/8" x 21" x 10"	16 3/8" x 19 3/4" x 9 1/4"
2D24	both	20 5/8" x 21" x 10"	19 3/8" x 19 3/4" x 9 1/4"	20 5/8" x 21" x 10"	19 3/8" x 19 3/4" x 9 1/4"
2D27	both	23 5/8" x 21" x 10"	22 3/8" x 19 3/4" x 9 1/4"	23 5/8" x 21" x 10"	22 3/8" x 19 3/4" x 9 1/4"

Drawer Box Dimensions



11

Crown Cabinets		Dimensions			
Crown Line		Standard		Upgrades	
Cabinet	Drawer Position	Outside W x D x H	Inside W x D x H	Outside W x D x H	Inside W x D x H
2 DRAWER CABINETS					
2D30	both	26 5/8" x 21" x 10"	25 3/8" x 19 3/4" x 9 1/4"	26 5/8" x 21" x 10"	25 3/8" x 19 3/4" x 9 1/4"
2D33	both	29 5/8" x 21" x 10"	28 3/8" x 19 3/4" x 9 1/4"	29 5/8" x 21" x 10"	28 3/8" x 19 3/4" x 9 1/4"
2D36	both	32 5/8" x 21" x 10"	31 3/8" x 19 3/4" x 9 1/4"	32 5/8" x 21" x 10"	31 3/8" x 19 3/4" x 9 1/4"
3 DRAWER CABINETS					
3D09	top	5" x 20" x 3 1/4"	4" x 19" x 3"	5 5/8" x 21" x 4"	4 3/8" x 19 3/4" x 3 1/4"
3D09	bottom 2	5" x 20" x 7 1/4"	4" x 19" x 7"	5 5/8" x 21" x 8"	4 3/8" x 19 3/4" x 7 1/4"
3D12	top	8" x 20" x 3 1/4"	7" x 19" x 3"	8 5/8" x 21" x 4"	7 3/8" x 19 3/4" x 3 1/4"
3D12	bottom 2	8" x 20" x 7 1/4"	7" x 19" x 7"	8 5/8" x 21" x 8"	7 3/8" x 19 3/4" x 7 1/4"
3D15	top	11" x 20" x 3 1/4"	10" x 19" x 3"	11 5/8" x 21" x 4"	10 3/8" x 19 3/4" x 3 1/4"
3D15	bottom 2	11" x 20" x 7 1/4"	10" x 19" x 7"	11 5/8" x 21" x 8"	10 3/8" x 19 3/4" x 7 1/4"
3D18	top	14" x 20" x 3 1/4"	13" x 19" x 3"	14 5/8" x 21" x 4"	13 3/8" x 19 3/4" x 3 1/4"
3D18	bottom 2	14" x 20" x 7 1/4"	13" x 19" x 7"	14 5/8" x 21" x 8"	13 3/8" x 19 3/4" x 7 1/4"
3D21	top	17" x 20" x 3 1/4"	16" x 19" x 3"	17 5/8" x 21" x 4"	16 3/8" x 19 3/4" x 3 1/4"
3D21	bottom 2	17" x 20" x 7 1/4"	16" x 19" x 7"	17 5/8" x 21" x 8"	16 3/8" x 19 3/4" x 7 1/4"
3D24	top	20" x 20" x 3 1/4"	19" x 19" x 3"	20 5/8" x 21" x 4"	19 3/8" x 19 3/4" x 3 1/4"
3D24	bottom 2	20" x 20" x 7 1/4"	19" x 19" x 7"	20 5/8" x 21" x 8"	19 3/8" x 19 3/4" x 7 1/4"
3D27	top	23" x 20" x 3 1/4"	22" x 19" x 3"	23 5/8" x 21" x 4"	22 3/8" x 19 3/4" x 3 1/4"
3D27	bottom 2	23" x 20" x 7 1/4"	22" x 19" x 7"	23 5/8" x 21" x 8"	22 3/8" x 19 3/4" x 7 1/4"
3D30	top	26" x 20" x 3 1/4"	25" x 19" x 3"	26 5/8" x 21" x 4"	25 3/8" x 19 3/4" x 3 1/4"
3D30	bottom 2	26" x 20" x 7 1/4"	25" x 19" x 7"	26 5/8" x 21" x 8"	25 3/8" x 19 3/4" x 7 1/4"
3D33	top	29" x 20" x 3 1/4"	28" x 19" x 3"	29 5/8" x 21" x 4"	28 3/8" x 19 3/4" x 3 1/4"
3D33	bottom 2	29" x 20" x 7 1/4"	28" x 19" x 7"	29 5/8" x 21" x 8"	28 3/8" x 19 3/4" x 7 1/4"
3D36	top	32" x 20" x 3 1/4"	31" x 19" x 3"	32 5/8" x 21" x 4"	31 3/8" x 19 3/4" x 3 1/4"
3D36	bottom 2	32" x 20" x 7 1/4"	31" x 19" x 7"	32 5/8" x 21" x 8"	31 3/8" x 19 3/4" x 7 1/4"
4 DRAWER CABINETS					
4D09	top	5" x 20" x 3 1/4"	4" x 19" x 3"	5 5/8" x 21" x 4"	4 3/8" x 19 3/4" x 3 1/4"
4D09	bottom	5" x 20" x 4 1/4"	4" x 19" x 4"	5 5/8" x 21" x 5"	4 3/8" x 19 3/4" x 4 1/4"
4D12	top	8" x 20" x 3 1/4"	7" x 19" x 3"	8 5/8" x 21" x 4"	7 3/8" x 19 3/4" x 3 1/4"
4D12	bottom	8" x 20" x 4 1/4"	7" x 19" x 4"	8 5/8" x 21" x 5"	7 3/8" x 19 3/4" x 4 1/4"
4D15	top	11" x 20" x 3 1/4"	10" x 19" x 3"	11 5/8" x 21" x 4"	10 3/8" x 19 3/4" x 3 1/4"
4D15	bottom	11" x 20" x 4 1/4"	10" x 19" x 4"	11 5/8" x 21" x 5"	10 3/8" x 19 3/4" x 4 1/4"
4D18	top	14" x 20" x 3 1/4"	13" x 19" x 3"	14 5/8" x 21" x 4"	13 3/8" x 19 3/4" x 3 1/4"
4D18	bottom	14" x 20" x 4 1/4"	13" x 19" x 4"	14 5/8" x 21" x 5"	13 3/8" x 19 3/4" x 4 1/4"
4D21	top	17" x 20" x 3 1/4"	16" x 19" x 3"	17 5/8" x 21" x 4"	16 3/8" x 19 3/4" x 3 1/4"
4D21	bottom	17" x 20" x 4 1/4"	16" x 19" x 4"	17 5/8" x 21" x 5"	16 3/8" x 19 3/4" x 4 1/4"

Crown Cabinets		Dimensions			
Crown Line		Standard		Upgrades	
Cabinet	Drawer Position	Outside W x D x H	Inside W x D x H	Outside W x D x H	Inside W x D x H
4 DRAWER CABINETS					
4D24	top	20" x 20" x 3 1/4"	19" x 19" x 3"	20 5/8" x 21" x 4"	19 3/8" x 19 3/4" x 3 1/4"
4D24	bottom	20" x 20" x 4 1/4"	19" x 19" x 4"	20 5/8" x 21" x 5"	19 3/8" x 19 3/4" x 4 1/4"
4D27	top	23" x 20" x 3 1/4"	22" x 19" x 3"	23 5/8" x 21" x 4"	22 3/8" x 19 3/4" x 3 1/4"
4D27	bottom	23" x 20" x 4 1/4"	22" x 19" x 4"	23 5/8" x 21" x 5"	22 3/8" x 19 3/4" x 4 1/4"
4D30	top	26" x 20" x 3 1/4"	25" x 19" x 3"	26 5/8" x 21" x 4"	25 3/8" x 19 3/4" x 3 1/4"
4D30	bottom	26" x 20" x 4 1/4"	25" x 19" x 4"	26 5/8" x 21" x 5"	25 3/8" x 19 3/4" x 4 1/4"
4D33	top	29" x 20" x 3 1/4"	28" x 19" x 3"	29 5/8" x 21" x 4"	28 3/8" x 19 3/4" x 3 1/4"
4D33	bottom	29" x 20" x 4 1/4"	28" x 19" x 4"	29 5/8" x 21" x 5"	28 3/8" x 19 3/4" x 4 1/4"
4D36	top	32" x 20" x 3 1/4"	31" x 19" x 3"	32 5/8" x 21" x 4"	31 3/8" x 19 3/4" x 3 1/4"
4D36	bottom	32" x 20" x 4 1/4"	31" x 19" x 4"	32 5/8" x 21" x 5"	31 3/8" x 19 3/4" x 4 1/4"
DESK / PENCIL DRAWER UNITS					
DD2421	n/a	20" x 17" x 3 1/4"	19" x 16" x 3"	20 5/8" x 18" x 4"	19 3/8" x 16 3/4" x 3 1/4"
DD2721	n/a	23" x 17" x 3 1/4"	22" x 16" x 3"	23 5/8" x 18" x 4"	22 3/8" x 16 3/4" x 3 1/4"
DD3021	n/a	26" x 17" x 3 1/4"	25" x 16" x 3"	26 5/8" x 18" x 4"	25 3/8" x 16 3/4" x 3 1/4"
DD3321	n/a	29" x 17" x 3 1/4"	28" x 16" x 3"	29 5/8" x 18" x 4"	28 3/8" x 16 3/4" x 3 1/4"
DD3621	n/a	32" x 17" x 3 1/4"	31" x 16" x 3"	32 5/8" x 18" x 4"	31 3/8" x 16 3/4" x 3 1/4"
PD2421	n/a	20" x 17" x 2 1/8"	19" x 16" x 1 7/8"	20 5/8" x 18" x 2"	19 3/8" x 16 3/4" x 1 1/4"
PD2721	n/a	23" x 17" x 2 1/8"	22" x 16" x 1 7/8"	23 5/8" x 18" x 2"	22 3/8" x 16 3/4" x 1 1/4"
PD3021	n/a	26" x 17" x 2 1/8"	25" x 16" x 1 7/8"	26 5/8" x 18" x 2"	25 3/8" x 16 3/4" x 1 1/4"
PD3321	n/a	29" x 17" x 2 1/8"	28" x 16" x 1 7/8"	29 5/8" x 18" x 2"	28 3/8" x 16 3/4" x 1 1/4"
PD3621	n/a	32" x 17" x 2 1/8"	31" x 16" x 1 7/8"	32 5/8" x 18" x 2"	31 3/8" x 16 3/4" x 1 1/4"
VANITY / DESK DRAWER BASE CABINETS					
VDB1221-3	top	8" x 17" x 3 1/4"	7" x 16" x 3"	8 5/8" x 18" x 4"	7 3/8" x 16 3/4" x 3 1/4"
VDB1221-3	middle, bottom	8" x 17" x 4 1/4"	7" x 16" x 4"	8 5/8" x 18" x 5"	7 3/8" x 16 3/4" x 4 1/4"
VDB1221X34.5-3	top	8" x 17" x 3 1/4"	7" x 16" x 3"	8 5/8" x 18" x 4"	7 3/8" x 16 3/4" x 3 1/4"
VDB1221X34.5-3	bottom	8" x 17" x 7 1/4"	7" x 16" x 7"	8 5/8" x 18" x 8"	7 3/8" x 16 3/4" x 7 1/4"
VDB1221X34.5-4	top	8" x 17" x 3 1/4"	7" x 16" x 3"	8 5/8" x 18" x 4"	7 3/8" x 16 3/4" x 3 1/4"
VDB1221X34.5-4	bottom	8" x 17" x 4 1/4"	7" x 16" x 4"	8 5/8" x 18" x 5"	7 3/8" x 16 3/4" x 4 1/4"
VDB1521-3	top	11" x 17" x 3 1/4"	10" x 16" x 3"	11 5/8" x 18" x 4"	10 3/8" x 16 3/4" x 3 1/4"
VDB1521-3	middle, bottom	11" x 17" x 4 1/4"	10" x 16" x 4"	11 5/8" x 18" x 5"	10 3/8" x 16 3/4" x 4 1/4"
VDB1521X34.5-3	top	11" x 17" x 3 1/4"	10" x 16" x 3"	11 5/8" x 18" x 4"	10 3/8" x 16 3/4" x 3 1/4"
VDB1521X34.5-3	bottom	11" x 17" x 7 1/4"	10" x 16" x 7"	11 5/8" x 18" x 8"	10 3/8" x 16 3/4" x 7 1/4"
VDB1521X34.5-4	top	11" x 17" x 3 1/4"	10" x 16" x 3"	11 5/8" x 18" x 4"	10 3/8" x 16 3/4" x 3 1/4"
VDB1521X34.5-4	bottom	11" x 17" x 4 1/4"	10" x 16" x 4"	11 5/8" x 18" x 5"	10 3/8" x 16 3/4" x 4 1/4"
VDB1821-3	top	14" x 17" x 3 1/4"	13" x 16" x 3"	14 5/8" x 18" x 4"	13 3/8" x 16 3/4" x 3 1/4"

Drawer Box Dimensions

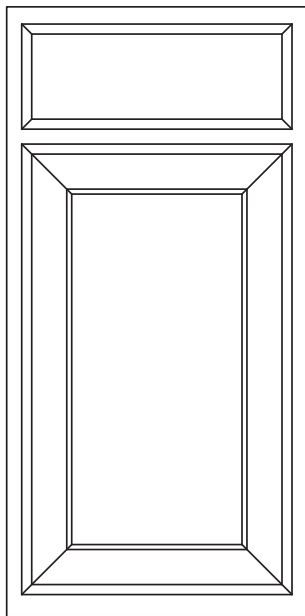


13

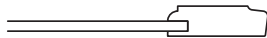
Crown Cabinets		Dimensions			
Crown Line		Standard		Upgrades	
Cabinet	Drawer Position	Outside W x D x H	Inside W x D x H	Outside W x D x H	Inside W x D x H
VANITY / DESK DRAWER BASE CABINETS					
VDB1821-3	middle bottom	14" x 17" x 4 1/4"	13" x 16" x 4"	14 5/8" x 18" x 5"	13 3/8" x 16 3/4" x 4 1/4"
VDB1821X34.5-3	top	14" x 17" x 3 1/4"	13" x 16" x 3"	14 5/8" x 18" x 4"	13 3/8" x 16 3/4" x 3 1/4"
VDB1821X34.5-3	bottom	14" x 17" x 7 1/4"	13" x 16" x 7"	14 5/8" x 18" x 8"	13 3/8" x 16 3/4" x 7 1/4"
VDB1821X34.5-4	top	14" x 17" x 3 1/4"	13" x 16" x 3"	14 5/8" x 18" x 4"	13 3/8" x 16 3/4" x 3 1/4"
VDB1821X34.5-4	bottom	14" x 17" x 4 1/4"	13" x 16" x 4"	14 5/8" x 18" x 5"	13 3/8" x 16 3/4" x 4 1/4"
VDB2121-3	top	17" x 17" x 3 1/4"	16" x 16" x 3"	17 5/8" x 18" x 4"	16 3/8" x 16 3/4" x 3 1/4"
VDB2121-3	middle bottom	17" x 17" x 4 1/4"	16" x 16" x 4"	17 5/8" x 18" x 5"	16 3/8" x 16 3/4" x 4 1/4"
VDB2121X34.5-3	top	17" x 17" x 3 1/4"	16" x 16" x 3"	17 5/8" x 18" x 4"	16 3/8" x 16 3/4" x 3 1/4"
VDB2121X34.5-3	bottom	17" x 17" x 7 1/4"	16" x 16" x 7"	17 5/8" x 18" x 8"	16 3/8" x 16 3/4" x 7 1/4"
VDB2121X34.5-4	top	17" x 17" x 3 1/4"	16" x 16" x 3"	17 5/8" x 18" x 4"	16 3/8" x 16 3/4" x 3 1/4"
VDB2121X34.5-4	bottom	17" x 17" x 4 1/4"	16" x 16" x 4"	17 5/8" x 18" x 5"	16 3/8" x 16 3/4" x 4 1/4"
VDB2421-3	top	20" x 17" x 3 1/4"	19" x 16" x 3"	20 5/8" x 18" x 4"	19 3/8" x 16 3/4" x 3 1/4"
VDB2421-3	middle, bottom	20" x 17" x 4 1/4"	19" x 16" x 4"	20 5/8" x 18" x 5"	19 3/8" x 16 3/4" x 4 1/4"
VDB2421X34.5-3	top	20" x 17" x 3 1/4"	19" x 16" x 3"	20 5/8" x 18" x 4"	19 3/8" x 16 3/4" x 3 1/4"
VDB2421X34.5-3	bottom	20" x 17" x 7 1/4"	19" x 16" x 7"	20 5/8" x 18" x 8"	19 3/8" x 16 3/4" x 7 1/4"
VDB2421X34.5-4	top	20" x 17" x 3 1/4"	19" x 16" x 3"	20 5/8" x 18" x 4"	19 3/8" x 16 3/4" x 3 1/4"
VDB2421X34.5-4	bottom	20" x 17" x 4 1/4"	19" x 16" x 4"	20 5/8" x 18" x 5"	19 3/8" x 16 3/4" x 4 1/4"
FILE DRAWER CABINETS					
3FD1821	top	14" x 17" x 3 1/4"	13" x 16" x 3"	14 5/8" x 18" x 4"	13 3/8" x 16 3/4" x 3 1/4"
3FD1821	middle	14" x 17" x 3 1/4"	13" x 16" x 3"	14 5/8" x 18" x 4"	13 3/8" x 16 3/4" x 3 1/4"
3FD1821	bottom	13 1/2" x 20" x 10"	12 1/4" x 18 3/4" x 9 1/4"	13 1/2" x 20" x 10"	12 1/4" x 18 3/4" x 9 1/4"
2FD1821	both	13 1/2" x 20" x 10"	12 1/4" x 18 3/4" x 9 1/4"	13 1/2" x 20" x 10"	12 1/4" x 18 3/4" x 9 1/4"
BASE APRON COOKTOP CABINETS					
BACTD24	both	20" x 20" x 7 1/4"	19" x 19" x 7"	20 5/8" x 21" x 8"	19 3/8" x 19 3/4" x 7 1/4"
BACTD27	both	23" x 20" x 7 1/4"	22" x 19" x 7"	23 5/8" x 21" x 8"	22 3/8" x 19 3/4" x 7 1/4"
BACTD30	both	26" x 20" x 7 1/4"	25" x 19" x 7"	26 5/8" x 21" x 8"	25 3/8" x 19 3/4" x 7 1/4"
BACTD33	both	29" x 20" x 7 1/4"	28" x 19" x 7"	29 5/8" x 21" x 8"	28 3/8" x 19 3/4" x 7 1/4"
BACTD36	both	32" x 20" x 7 1/4"	31" x 19" x 7"	32 5/8" x 21" x 8"	31 3/8" x 19 3/4" x 7 1/4"
BASE MICROWAVE / WARMING DRAWER CABINETS					
BMW24	n/a	20" x 20" x 7 1/4"	19" x 19" x 7"	20 5/8" x 21" x 8"	19 3/8" x 19 3/4" x 7 1/4"
BMW27	n/a	23" x 20" x 7 1/4"	22" x 19" x 7"	23 5/8" x 21" x 8"	22 3/8" x 19 3/4" x 7 1/4"
BMW30	n/a	26" x 20" x 7 1/4"	25" x 19" x 7"	26 5/8" x 21" x 8"	25 3/8" x 19 3/4" x 7 1/4"
BMW2440.5	bottom 2	20" x 20" x 4 1/4"	19" x 19" x 4"	20 5/8" x 21" x 5"	19 3/8" x 19 3/4" x 4 1/4"
BMW2740.5	bottom 2	23" x 20" x 4 1/4"	22" x 19" x 4"	23 5/8" x 21" x 5"	22 3/8" x 19 3/4" x 4 1/4"

Crown Cabinets		Dimensions			
Crown Line		Standard		Upgrades	
Cabinet	Drawer Position	Outside W x D x H	Inside W x D x H	Outside W x D x H	Inside W x D x H
BASE MICROWAVE / WARMING DRAWER CABINETS					
BMW3040.5	bottom 2	26" x 20" x 4 1/4"	25" x 19" x 4"	26 5/8" x 21" x 5"	25 3/8" x 19 3/4" x 4 1/4"
BWD24	top	20" x 20" x 3 1/4"	19" x 19" x 3"	20 5/8" x 21" x 4"	19 3/8" x 19 3/4" x 3 1/4"
BWD24	bottom	20" x 20" x 7 1/4"	19" x 19" x 7"	20 5/8" x 21" x 8"	19 3/8" x 19 3/4" x 7 1/4"
BWD27	top	23" x 20" x 3 1/4"	22" x 19" x 3"	23 5/8" x 21" x 4"	22 3/8" x 19 3/4" x 3 1/4"
BWD27	bottom	23" x 20" x 7 1/4"	22" x 19" x 7"	23 5/8" x 21" x 8"	22 3/8" x 19 3/4" x 7 1/4"
BWD30	top	26" x 20" x 3 1/4"	25" x 19" x 3"	26 5/8" x 21" x 4"	25 3/8" x 19 3/4" x 3 1/4"
BWD30	bottom	26" x 20" x 7 1/4"	25" x 19" x 7"	26 5/8" x 21" x 8"	25 3/8" x 19 3/4" x 7 1/4"
P3D's same as 3D's					
P4D's same as 4D's					
CVDB-2 same as VDB-3 bottom 2					
CVDB-3,6,8 same as VDB's					

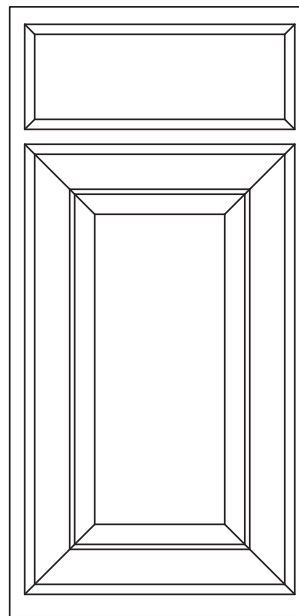
Regent



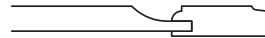
- Knotty Alder
- Half overlay, 3/4" reveal, 3/4" thick door
- Miter construction, 1/4" veneer center panel
- Reverse bevel finger pull profile
- Limited number of sizes available (See pricing for availability)
- 2 1/2" wide stiles and rails.



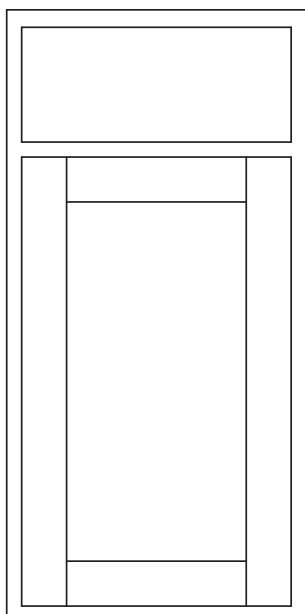
Manor



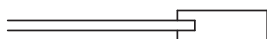
- Knotty Alder
- Half overlay, 3/4" reveal, 3/4" thick door
- Miter construction, 5/8" solid center panel
- Reverse bevel finger pull profile
- Limited number of sizes available (See pricing for availability)
- 2 1/2" wide stiles and rails.



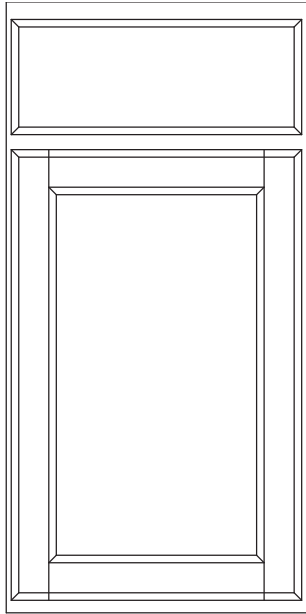
Pioneer



- Knotty Alder
- Half overlay, 3/4" reveal, 3/4" thick door
- Mortise and tenon construction shaker style door w/o center panel
- Square profile with finger pull
- Limited number of sizes available
- 2 1/4" wide stiles and rails.

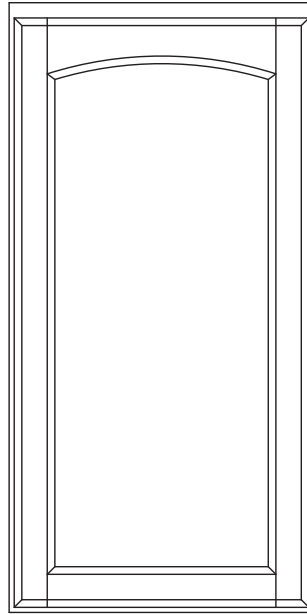


Cascade



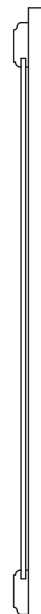
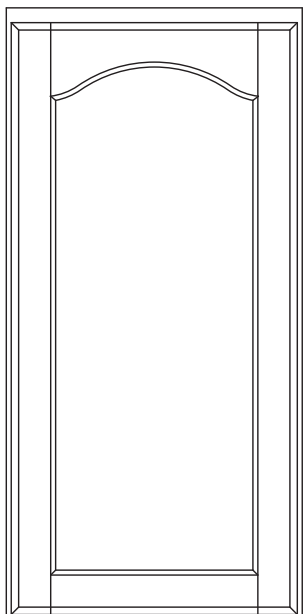
- Alder
- Cherry
- Hickory
- Maple
- White Oak
- Knotty Alder
- Knotty Cherry
- Knotty Maple
- Knotty Walnut
- Specify Full or Half overlay
- Mortise and tenon construction, 1/4" veneer center panel
- Specify finger pull
- Comes standard with #4 profile
- Optional Profiles: 1,2,3,5,6,7,8
- 2 1/4" wide stiles and rails
- 3" wide stiles and rails optional. Specify XL
- Doors over 45" high have a center rail and two panels

Cascade Roman



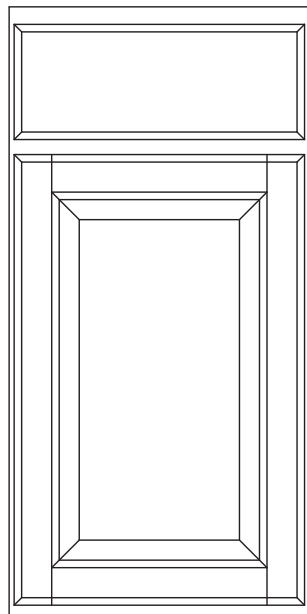
- Alder
- Cherry
- Hickory
- Maple
- White Oak
- Knotty Alder
- Knotty Cherry
- Knotty Maple
- Knotty Walnut
- Specify Full or Half overlay
- Mortise and tenon construction, 1/4" veneer center panel
- Specify finger pull
- Complementary Base Style - Cascade
- Comes standard with # 4 profile
- Optional Profiles: 1,2,3,5,6,7,8
- 2 1/4" wide stiles and rails
- 3" wide stiles and rails optional. Specify XL
- Doors over 45" high have a center rail and two panels

Cascade Cathedral



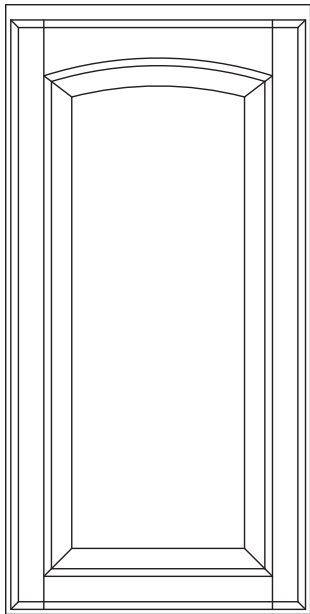
- Alder
- Cherry
- Hickory
- Maple
- White Oak
- Knotty Alder
- Knotty Cherry
- Knotty Maple
- Knotty Walnut
- Specify Full or Half overlay
- Mortise and tenon construction, 1/4" veneer square center panel
- Specify finger pull
- Comes standard with #4 profile
- Complimentary Base Style Cascade
- Optional Profiles: 1,2,3,5,6,7,8
- 2 1/4" wide stiles and rails
- 3" wide stiles and rails optional. Specify XL
- Doors over 45" high have a center rail and two panels

Vintage



- Alder
- Cherry
- Hickory
- Maple
- White Oak
- Knotty Alder
- Knotty Cherry
- Knotty Hickory
- Knotty Maple
- Knotty Walnut
- Specify Full or Half overlay
- Mortise and tenon construction, 5/8" solid wood square raised center panel
- Specify finger pull
- Comes standard with #4 profile
- Optional Profiles: 1,2,3,5,6,7,8
- 2 1/4" wide stiles and rails
- 3" wide stiles and rails optional. Specify XL
- Doors over 45" high have a center rail and two panels

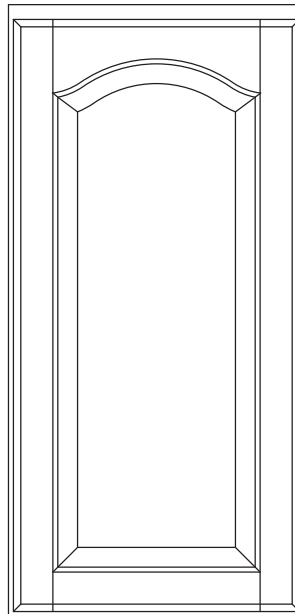
Vintage Roman



- Alder
- Cherry
- Hickory
- Maple
- White Oak
- Knotty Alder
- Knotty Cherry
- Knotty Hickory
- Knotty Maple
- Knotty Walnut
- Specify Full or Half overlay
- Mortise and tenon construction, 5/8" solid wood roman arch raised center panel
- Specify finger pull
- Complementary Base Style - Vintage
- Comes standard with #4 profile
- Optional Profiles: 1,2,3,5,6,7,8
- 2 1/4" wide stiles and rails
- 3" wide stiles and rails optional. Specify XL
- Doors over 45" high have a center rail and two panels



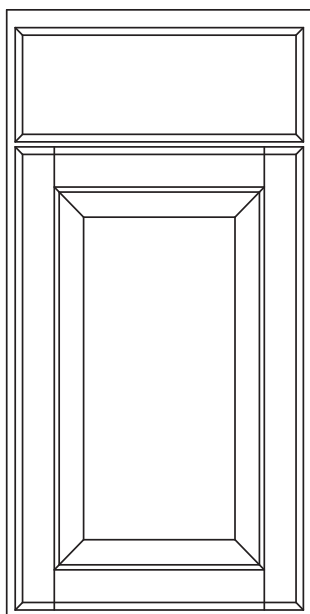
Vintage Cathedral



- Alder
- Cherry
- Hickory
- Maple
- White Oak
- Knotty Alder
- Knotty Cherry
- Knotty Hickory
- Knotty Maple
- Knotty Walnut
- Specify Full or Half overlay
- Mortise and tenon construction, 5/8" solid wood cathedral raised center panel
- Specify finger pull
- Complementary Base Style - Vintage
- Comes standard with #4 profile
- Optional Profiles: 1,2,3,5,6,7,8
- 2 1/4" wide stiles and rails
- 3" wide stiles and rails optional. Specify XL
- Doors over 45" high have a center rail and two panels



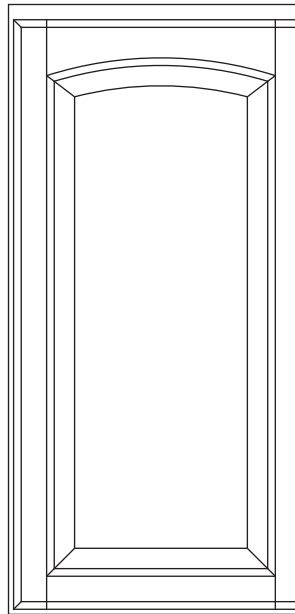
Ridgeline



- Alder
- Cherry
- Hickory
- Maple
- White Oak
- Knotty Alder
- Knotty Cherry
- Knotty Hickory
- Knotty Maple
- Knotty Walnut
- Specify Full or Half overlay
- Mortise and tenon, 3/4" solid wood square raised center panel
- Specify finger pull
- Comes standard with #4 profile
- Optional Profiles: 1,2,3,5,6,7,8
- 2 1/4" wide stiles and rails
- 3" wide stiles and rails optional. Specify XL
- Doors over 45" high have a center rail and two panels



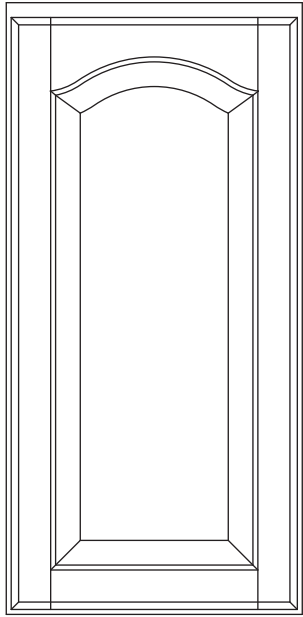
Ridgeline Roman



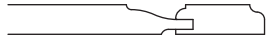
- Alder
- Cherry
- Hickory
- Maple
- White Oak
- Knotty Alder
- Knotty Cherry
- Knotty Hickory
- Knotty Maple
- Knotty Walnut
- Specify Full or Half overlay
- Mortise and tenon, 3/4" solid wood square raised center panel
- Specify finger pull
- Comes standard with #4 profile
- Complementary Base Style - Ridgeline
- Optional Profiles: 1,2,3,5,6,7,8
- 2 1/4" wide stiles and rails
- 3" wide stiles and rails optional. Specify XL
- Doors over 45" high have a center rail and two panels



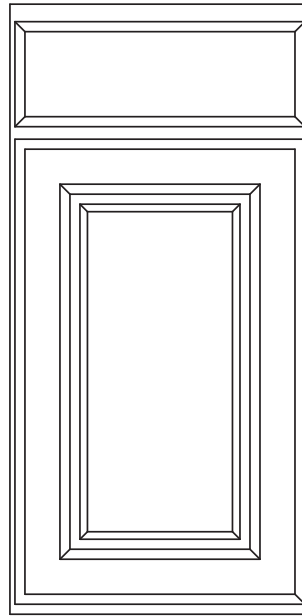
Ridgeline Cathedral



- Alder
- Cherry
- Hickory
- Maple
- White Oak
- Knotty Alder
- Knotty Cherry
- Knotty Hickory
- Knotty Maple
- Knotty Walnut
- Specify Full or Half overlay
- Mortise and tenon construction, 3/4" solid wood raised center panel
- Specify finger pull
- Complementary Base Style - Ridgeline
- Comes standard with # 4 profile
- Optional Profiles: 1,2,3,5,6,7,8
- 2 1/4" wide stiles and rails
- 3" wide stiles and rails optional. Specify XL
- Doors over 45" high have a center rail and two panels



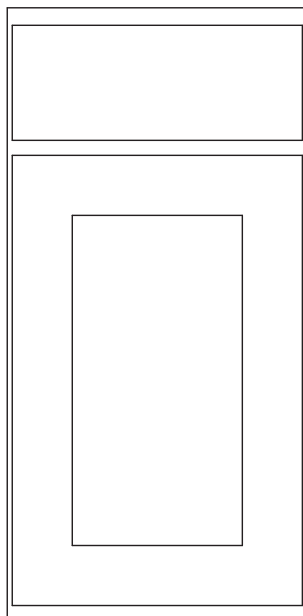
Imperial TF



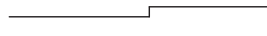
- Thermofoil (TF)
- Specify Full or Half overlay
- Square raised panel, MDF core, matte white, thermofoil front, melamine back
- 2 3/4" wide stiles and rails
- Finger pull not available
- Requires decorative hardware



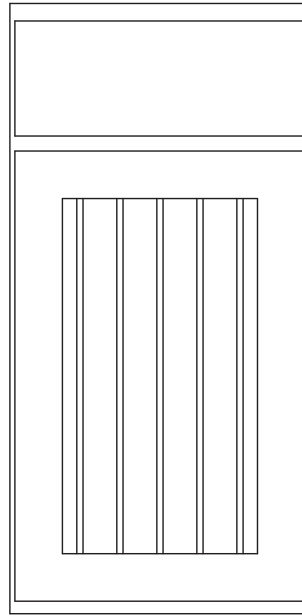
Bigcreek TF



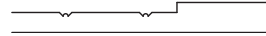
- Thermofoil (TF)
- Specify Full or Half overlay
- 3" wide stile and rail shaker
- Finger pull not available
- Requires decorative hardware
- Shaker style, matte white thermofoil front, MDF core, melamine back.



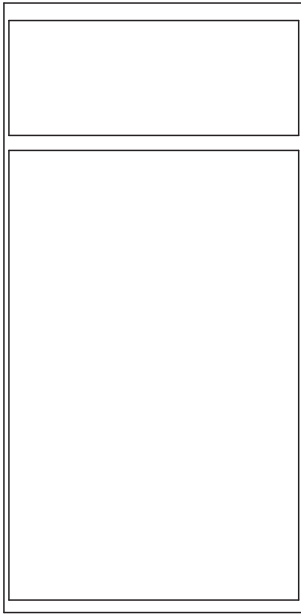
Millcreek TF



- Thermofoil (TF)
- Specify Full or Half overlay
- Shaker style with beaded center panel, matte white, MDF core, thermofoil front, melamine back
- 2 1/2" wide stiles and rails
- Finger pull not available
- Requires decorative hardware



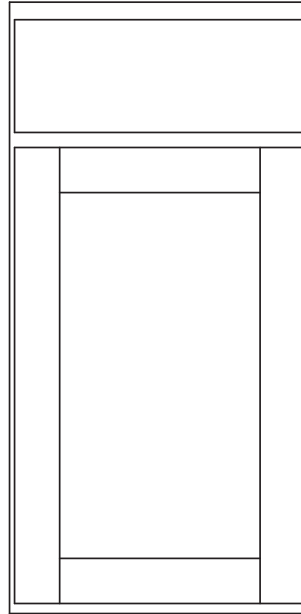
Studio TF



- Thermofoil (TF)
- Specify Full or Half overlay
- Square slab, MDF core, matte white, thermofoil front, melamine back
- Finger pull not available
- Requires decorative hardware



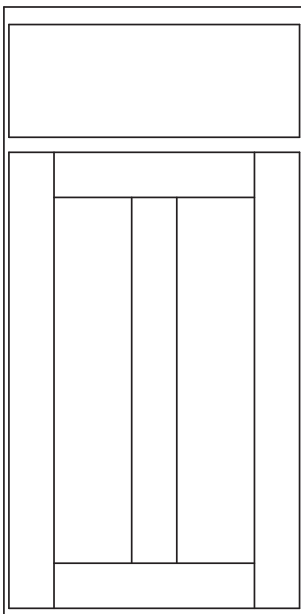
Pioneer



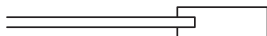
- Alder
- Cherry
- Hickory
- Maple
- White Oak
- Knotty Alder
- Knotty Cherry
- Knotty Maple
- Knotty Walnut
- Specify Full or Half overlay
- Mortise and tenon construction, shaker style door w/o center style, 1/4" veneer center panel
- 5 piece fronts available
- Comes standard with #1 profile
- Optional Profiles: 2,3,4,5,6,7,8
- 2 1/4" wide stiles and rails
- Specify finger pull
- 3" wide stiles and rails optional. Specify XL
- Doors over 45" high have a center rail and two panels



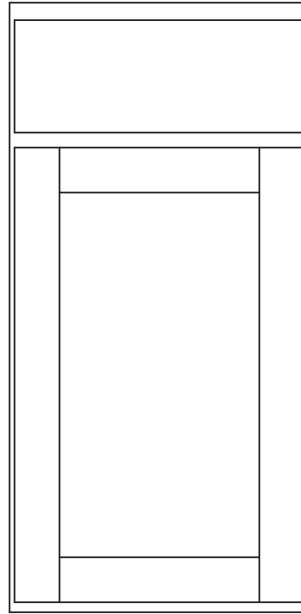
Mission



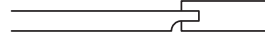
- Alder
- Cherry
- Hickory
- Maple
- White Oak
- Knotty Alder
- Knotty Cherry
- Knotty Maple
- Knotty Walnut
- Specify Full or Half overlay
- Mortise and tenon construction, shaker style door, 1/4" veneer center panel
- Comes standard with #1 profile
- Optional Profiles: 2,3,4,5,6,7,8
- 2 1/4" wide stiles and rails
- 5 piece fronts available
- Specify finger pull
- 9" wide cabinets and 90° lazy susans, doors have no center stile.
- Doors over 45" high have a center rail and four panels



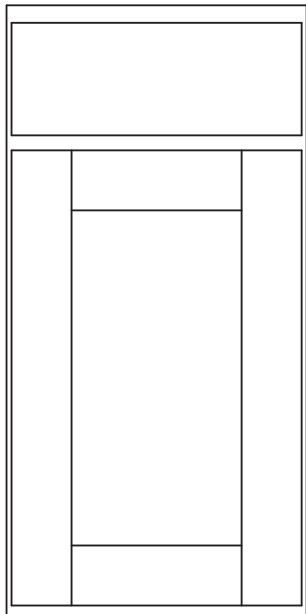
Clearcreek



- Alder
- Cherry
- Hickory
- Maple
- White Oak
- Knotty Alder
- Knotty Cherry
- Knotty Hickory
- Knotty Maple
- Knotty Walnut
- Specify Full or Half overlay
- Mortise and tenon construction, 1/2" solid wood square reverse raised center panel
- 5 piece fronts available
- Comes standard with #1 profile
- Optional Profiles: 2,3,4,5,6,7,8
- 2 1/4" wide stiles and rails
- Specify finger pull
- Doors over 45" high have a center rail and two panels



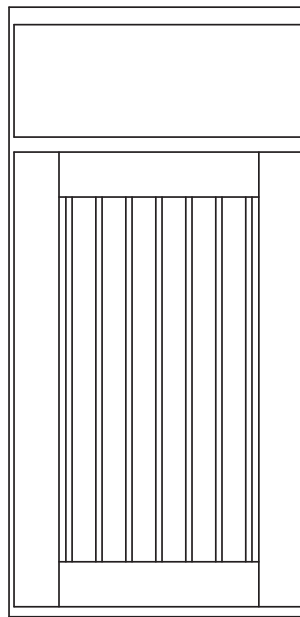
Bigcreek



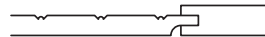
- Alder
- Cherry
- Hickory
- Maple
- White Oak
- Knotty Alder
- Knotty Cherry
- Knotty Hickory
- Knotty Maple
- Knotty Walnut
- 3" wide stiles and rails
- Specify Full or Half overlay
- Mortise and tenon construction, 1/2" solid wood square reverse raised center panel
- 5 piece fronts available
- Comes standard with #1 profile
- Optional Profiles: 2,3,4,5,6,7,8
- Specify finger pull
- 9" wide cabinets & LS33's doors have 2 1/4" stiles, 3" rails.
- Doors over 45" high have a center rail and two panels



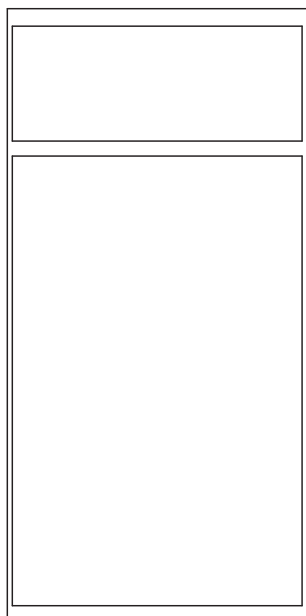
Millcreek



- Alder
- Cherry
- Hickory
- Maple
- White Oak
- Knotty Alder
- Knotty Cherry
- Knotty Hickory
- Knotty Maple
- Knotty Walnut
- Specify Full or Half overlay
- Mortise and tenon construction, 1/2" solid wood square reverse raised, beaded center panel
- 5 piece fronts available
- Comes standard with #1 profile
- Optional Profiles: 2,3,4,5,6,7,8
- 2 1/4" wide stiles and rails
- Specify finger pull
- 3" wide stiles and rails optional. Specify XL
- Doors over 45" high have a center rail and two panels



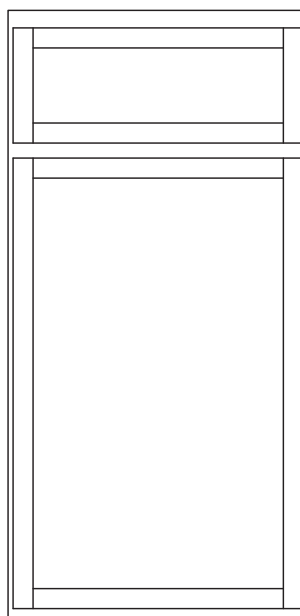
Studio



- Alder
- Cherry
- Hickory
- * Maple
- White Oak
- Specify Full or Half overlay
- 3/4" veneer plywood or MDF core construction, 3 mm solid wood edge banding
- Similar to #7 profile
- Finger pull not available
- * If painted, doors and drawer fronts constructed out of MDF instead of Maple.
- When ordered cut for glass, specify which door style you want. If not specified, Studio CFG will come in Pioneer #7 edge.
- Glaze not available on Studio style.



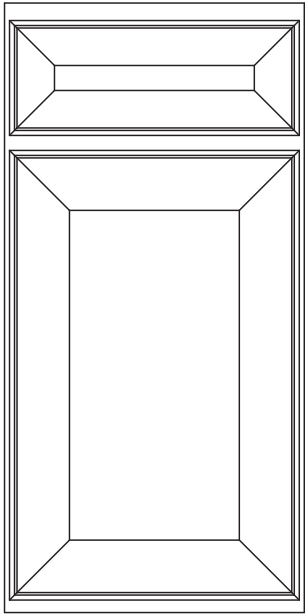
Narrows



- Maple (Painted Only)
- White Oak
- Specify Full or Half overlay
- 1" wide stiles and rails
- Finger Pull not available
- 5 piece drawer front, center panel wood grain runs vertical same as door.



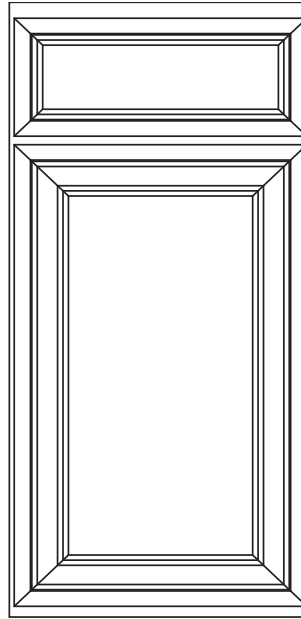
Capri



- Alder
- Cherry
- Hickory
- Maple
- White Oak
- Knotty Alder
- Knotty Cherry
- Knotty Hickory
- Knotty Maple
- Knotty Walnut
- 3" wide stiles and rails, 2 1/4" on fronts
- Specify Full or Half overlay
- Miter construction, 1/2" solid wood square reversed raised center panel
- Five piece drawer front with flat center panel
- Finger pull not available



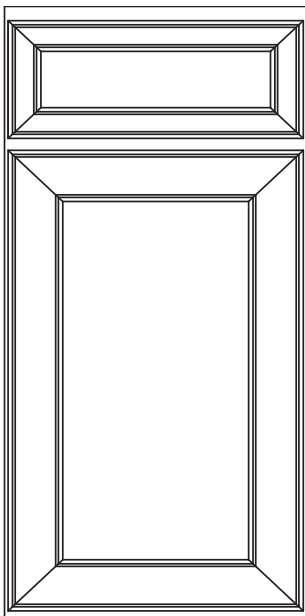
Villa



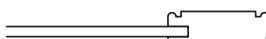
- Alder
- Cherry
- Hickory
- Maple
- White Oak
- Knotty Alder
- Knotty Cherry
- Knotty Maple
- Knotty Walnut
- Specify Full or Half overlay
- Miter construction, 1/4" veneer center panel
- Five piece drawer front with flat center panel
- Finger pull not available
- 2 1/2" wide stiles and rails, 1 1/2" on fronts



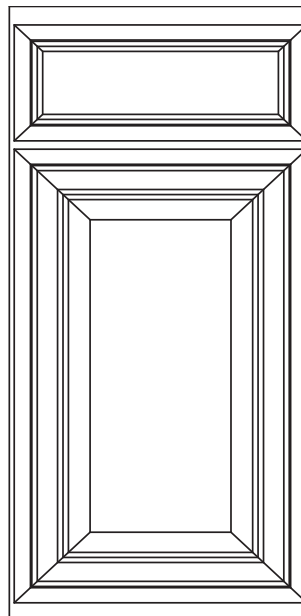
Milan



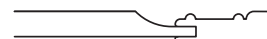
- Alder
- Cherry
- Hickory
- Maple
- White Oak
- Knotty Alder
- Knotty Cherry
- Knotty Maple
- Knotty Walnut
- Specify Full or Half overlay
- Miter construction, 1/4" veneer center panel
- Finger pull not available
- Five piece drawer front with flat center panel
- 2 1/2" wide stiles and rails, 1 1/2" on fronts



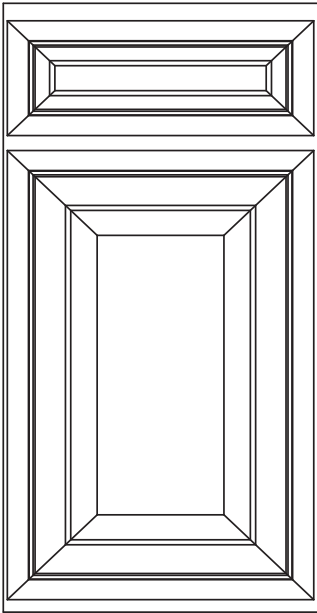
Tuscany



- Alder
- Cherry
- Hickory
- Maple
- White Oak
- Knotty Alder
- Knotty Cherry
- Knotty Hickory
- Knotty Maple
- Knotty Walnut
- Specify Full or Half overlay
- Miter construction, 5/8" solid wood square raised center panel
- Five piece drawer front with flat center panel
- Finger pull not available
- 2 1/2" wide stiles and rails, 1 1/2" on fronts



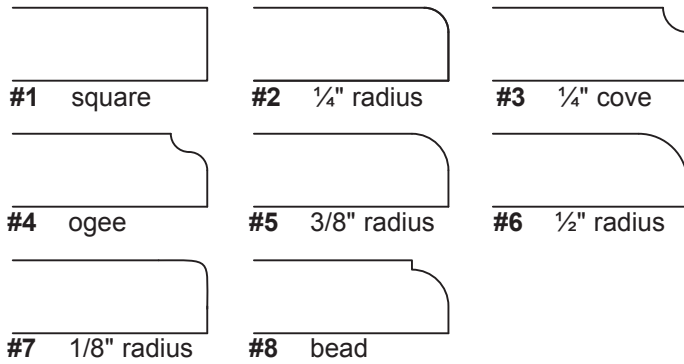
Sedona



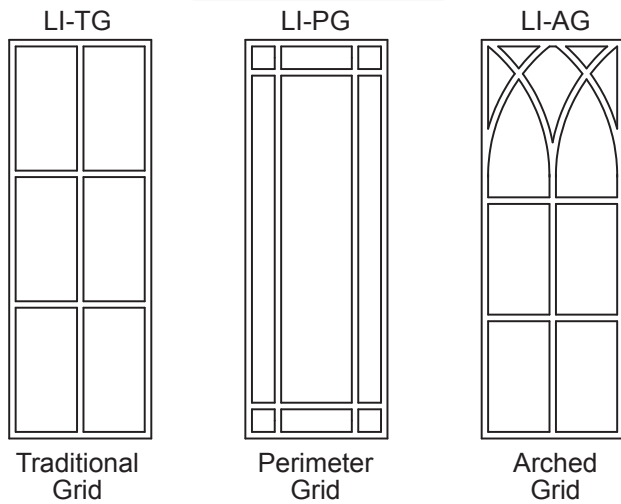
- Alder
- Cherry
- Hickory
- Maple
- White Oak
- Knotty Alder
- Knotty Cherry
- Knotty Hickory
- Knotty Maple
- Knotty Walnut
- 3" wide stiles and rails, 2 1/4" on fronts
- Specify Full or Half overlay
- Miter construction, 3/4" solid wood square raised center panel
- Five piece drawer front with flat center panel
- Finger pull not available
- 9" wide cabinets and 90° LS33's, door has flat center panel.



Optional Profiles



Door Lattice Inserts



- 1/4" veneer mdf insert for all doors.
- Perimeter and arched not available on Roman or Cathedral doors.
- LI option not available on Studio, Thermofoil or arched styles.
- Perimeter and arched grid doors available on 15" wide and wider and 18" tall and taller cabinets.

Door Specification Notes

- Outer edge profile options available on mortise and tenon constructed doors. Available profiles 1-8.
- On arched door styles, wall cabinets, and top door on tall cabinets will be arched, base cabinets will be square, unless specified otherwise.
- Mortise and tenon constructed doors, on cabinets 48" high and higher, Wall Drawer cabinets 54" high to 60" high, and the bottom taller door on utility and pantry cabinets have a center rail with double center panels.
- Maple painted doors are constructed with maple stiles and rails and MDF center panels. On the Studio door style both fronts and doors are constructed out of MDF when painted. Any slab drawer fronts are MDF when painted.

Available Modifications and Upcharges

- All mortise and tenon and miter five piece doors may be cut for glass (CFG).
- Thermofoil doors, i.e. Imperial TF, may be cut for glass (CFG) or lattice (LD) added.
- Door lattice inserts available on all wood doors. Exceptions on arched doors and smaller sizes, inquire.
- 5 piece fronts available on Pioneer, Shaker, Millcreek, Clearcreek, and Bigcreek door styles.
- Butt Door (BD) option available. 27" wide to 37" wide no charge.
- Loose Mullion Doors option available.

Finish Procedure

To achieve the fine finish on all face frames, doors and drawer fronts the following procedures are followed:

- All products are inspected for defects.
- All products run through a series of sanding equipment - wide belt sanders, orbital sanders, and hand sanding.
- All dust particles are removed.
- Stain coat applied.
- Catalyzed sealer coat applied.
- Hand sand dust off with high pressure air.
- Glaze applied then dried if ordered.
- Catalyzed conversion varnish top coat applied.
- Heated hang dry.

Color & Grain Variations

• Crown products are manufactured with the highest quality and consideration. Select grade materials are our standard. The components are hand selected to provide the best possible uniformity in the grain patterns. However, natural wood has considerable color variations and could contain shades of white, red, black or even green in areas. These color differences come from the minerals in the soil and water where the tree was grown. Grain variations differ between species, and within the same specie from tree to tree. They change for various reasons including climate, forest density, aging, knots, and insects. All wood species will vary in color when exposed to different types of light regardless of the finishes used.

• Due to the transparency of the stains used, and regardless of the stain color, some of the natural characteristics will show through the finish. These characteristics add to the individual beauty found in all Crown products and are not to be considered as imperfections. See updated samples for actual reference to the different stain colors.

Conversion Varnish Top Coat

Conversion Varnish is a new-generation super finish used by Crown to give cabinets unsurpassed durability and lasting beauty. This finish represents cutting-edge technology in cabinet finishes; its resistance to moisture, chemicals, marring, and yellowing in ultra-violet light, chipping, checking, and cracking makes it the best finish available for kitchen cabinets and bathroom vanities. The catalyzed sealer coat with the top coat finish easily meet or exceed any and all standards for kitchen cabinet and bathroom vanity finishes.

Touch-Up

We recommend satin polyurethane for top coat touch-up. You may order quart cans or pens of our stains for touch-up. Touch up kits are available for Golden, Ginger, Latte, Espresso and Folkstone stain colors and Designer White paint. Each kit includes a stain pen, putty stick, scuff pad, scrapper and instructions. Onyx and Toffee glaze pens may be added for an additional charge. (See parts and accessories.)

Care Instructions

We recommend that you clean your cabinets with a mild soapy water and cotton cloth, dry immediately. Polish as you would any fine furniture.

Finish Specifications



Finish Options by line and wood type - Pro Line - ■ Crown Line - ●

<i>Finish</i>	<i>Finish Code</i>	Alder	Cherry	Hickory	Maple	White Oak	Walnut	Thermofoil
Natural	NA	*■●	●	●	●	●	●	
Golden Stain	GM	*■●	●	●	●	●	●	
Honey Stain	HO	●	●	●	●	●	●	
Ginger Stain	GG	*■●	●	●	●	●	●	
Latte Stain	LAT	*■●	●	●	●	●	●	
Espresso Stain	ESP	*■●	●			●	●	
Driftwood Stain	DR	●	●	●	●	●	●	
Timber Stain	TR	●	●	●	●	●	●	
Charwood Stain	CW	+*■●	●	●	●	●	●	
Folkstone Stain	FS	*■●	●	●	●	●	●	
Whitewash Stain	WH	*■●		●	●	●	●	
Mushroom Stain	MR	*■●	●	●	●	●	●	
Mirage Stain	MI	●	●	●	●	●	●	
Designer White Paint	DW				●			
Desert Paint	DES				●			
Dutch Blue Paint	DB				●			
Royal Blue Paint	RB				●			
Midnight Paint	MDNT				●			
Brownstone Paint	BR				●			
Dove Paint	DO				●			
Cypress Paint	CY				●			
Toffee Liquid Glaze	TOF	●	●	●	●	●	●	
Onyx Liquid Glaze	ONX	●	●	●	●	●	●	
Matte White	WHMT							●

Notes

- Liquid glaze upcharge for the Crown line is 20%.
- Paint upcharge is 20% on entire order in the Crown line. Door center panels and drawer fronts are constructed out of medium density fiber board (MDF) when a painted finish is ordered.
- Studio doors and fronts are MDF when painted. All slab style drawer fronts are MDF when painted. Not available with glaze.
- You may order unfinished, but this will void any warranty on doors and fronts.
- * Knotty Alder only. Clear Alder not available in Pro line.
- +In Pro Line, Charwood has a 5% upcharge.

Opaque or painted finishes have unique differences from other wood finishes with which you may be familiar. When paints are applied to wood products constructed of several different pieces of wood, expansion and contraction of the wood can cause cracks in the finish where the wood pieces join together. There are several areas on the cabinets where these cracks will occur. Doors may develop cracks in the finish on door joints and seams on glued-up door panels. Stile and rail face frames may develop cracks on glue joints where horizontal pieces meet vertical pieces. Mitered style doors are very prone to develop cracks or breaks in the finish on mitered joints. Olympia Sales Company cannot insure painted product will not react to these normally occurring circumstances. These characteristics are normal and will not be considered for product replacement or warranty.

I have read and understand the above agreement and find that the characteristics of the painted finishes are understood and accepted. I understand Crown Cabinets by Olympia Manufacturing and Sales will not be responsible in the event these characteristics are later found less desirable than expected.

_____ Date _____
Customer's Signature

_____ Date _____
Dealer's Signature

_____ Date _____
Acknowledged by Olympia Sales

Wall Cabinets

Wall Width Height Depth

W3018X24

A standard wall cabinet is 12" deep. On standard cabinets the nomenclature only requires the width and height be specified. For example: **W3030**.

Base Cabinets

Base Width Depth Height

B3018X34.5

A standard base cabinet is 24" deep and 34½" high. On standard cabinets the nomenclature only requires the width be specified. For example: **B30**

Utility Cabinets

Utility Width Depth Height

U3012X84

A standard utility or oven cabinet is 24" deep. On standard cabinets the nomenclature requires the width, depth and the height be specified as shown.

Vanity Cabinets

Vanity Base Sink Width Depth

VBS3018

Vanity cabinets are either 18" or 21" deep. There is no standard, therefore the width and the depth need to be specified. If there is a height modification then the nomenclature would read: **VBS3018X34½** where 34½ is the height.

Parts and Accessories

Wall Panel Height

WP30

There are no real standard conventions in parts and accessories. Refer to descriptions in catalog for details. Please use full and accurate descriptions when ordering parts and accessories.

Other commonly used codes

L or R - left or right hinged doors
DL or DR - drawers left or drawers right, vanities
CFG - cut for glass doors
FTK - flush toe kick
XL - 3" wide stiles and rails on mortise and tenon door styles

DE - double entry
LD - Lattice doors
FI - finished interior
LTK - loose toe kick
LA - left application
RA - right application

FH - full height door
FP - finger pulls
FF&D - face frame & door only
BD - butt doors

LI-TG - Lattice insert Traditional Grid
LI-PG - Lattice insert Perimeter Grid
LI-AG - Lattice insert Arched Grid

General Specifications

PRO LINE

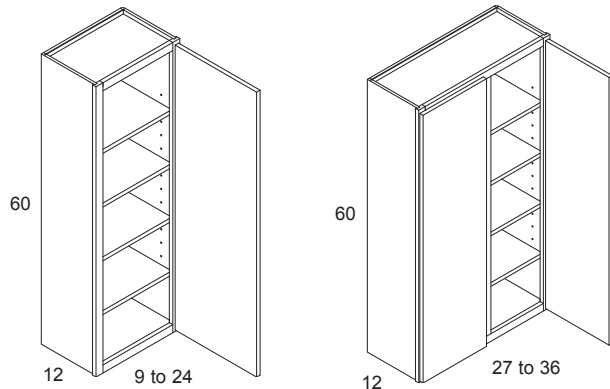
- **Availability** - Over 200 sizes. This is a limited line, see specifications under each individual cabinet and pricing for availability.
- **Center Stiles** - All double door wall cabinets come standard with a center stile.
- **Depth** - Wall cabinets are 12" deep from the back of the cabinet to the front of the face frame.
- **Doors** - 9" to 24" wide cabinets come with one door. 27" and wider cabinets come with 2 doors and center stile.
- **Doors Cut For Glass** - Wall cabinets are frequently ordered with cut for glass (CFG) doors. When ordering cut for glass doors specify CFG after the regular cabinet description.
- **End Panels** - All Pro line wall cabinetry requires end panels.
- **Face Frame & Door** - Face frame and door (FF&D) only may be ordered. 80% of cabinet cost.
- **Height** - 12" to 42" in 3" increments.
- **Hinging** - Specify left or right hinged.
Pro line hinges are concealed, 6 way adjustable.
- **Interiors** - Pro line wall cabinets are finished with a natural maple melamine laminate.
- **Shelving** - 18" high cabinets and under, no shelves, 21"-27" high cabinet, one shelf, 30" - 36" high cabinets, two shelves, 39", 42" high cabinets three shelves. Shelving adjustable.
- **Wood Types** - Knotty Alder.

General Specifications/Modifications and Upcharges

CROWN LINE

- **Arched styles** - Wall cabinets are arched, base cabinets are square except vanities and top doors of tall cabinets. Arched base cabinets optional for an upcharge.
- **Availability** - Over 1000 sizes.
- **Butt Doors** - Optional. 39" & wider have center stile when ordered as butt doors. 27" - 36" center stile eliminated.
- **Beaded Back Panel for cabinet interior** - Must also order finished interior.
- **Cabinets Without Doors** - Wall cabinets may be ordered without doors. Specify no doors.
- **Center Stiles** - All Crown double door wall cabinets come standard with a center stile.
- **Depth** - Wall cabinets are 12" deep from the back of the cabinet to the front of the face frame.
- **Depth Decrease** - Wall cabinets may be decreased in depth. 4" deep minimum. 3" increments.
- **Depth Increase** - Wall cabinets may be increased in depth. 24" deep maximum up to 39" wide. 3" increments.
- **Doors** - 9" to 24" wide cabinets come with one door. 27" and wider cabinets come with 2 doors.
- **Doors Cut For Glass** - Wall cabinets are frequently ordered with cut for glass (CFG) doors. When ordering cut for glass doors, specify CFG after the regular cabinet description.
- **Double Door on 24" wide wall cabinet** - Specify Butt or Loose Mullion.
- **Doors** constructed with mortise and tenon, on wall cabinets 48" high and higher, wall drawer cabinets 54" high and higher, have a center rail and two center panels to aid in avoiding warpage and door joint expansion.
- **Double Entry** - DE - available.
- **End Panels** - All Crown wall cabinetry requires end panels.
- **Extended Stiles** - 1/8" increments up to 2".
- **Factory Applied End Panels** - Available.
- **Face Frame Reveal** - Wall cabinets with the full overlay option will have a 3/4" top reveal, 1/4" reveal both sides and on the bottom. Wall cabinets with the half overlay option will have a 3/4" reveal top, bottom and both sides.
- **Face Frame & Door** - Face frame and door only (FF&D) may be ordered.
- **Finished Interiors** - Specify finished interior (FI) following the cabinets regular description. Wall plate rack cabinets, open shelf cabinets, and bookcase cabinets are standard with finished interiors and do not need the FI code specified. Species specific.
- **Height** - 12" to 42" all widths, 45" to 60" up to 36" wide.
- **Hinging** - Specify left or right hinged. 107° opening hinges, 6 way adjustable, with a lifetime warranty. Soft close.
- **Interiors** - Crown line wall cabinets are finished with a natural maple melamine laminate.
- **Lattice Doors** - For lattice on applicable styles specify LD. See LD options in parts and accessories. Available in the Cascade, Ridgeline, Vintage, Imperial, Pioneer, Shaker, Millcreek, Clearcreek and Bigcreek door stiles only. Lattice inserts available on mitered stiles, see page 23.
- **Loose Mullions** - On all double door wall cabinets in the Crown line, a loose mullion will be attached to the back of the left door.
- **No Bottom** - Wall cabinets with no bottom rail or shelf for use on counter top application. Available up to 36" wide.
- **Nomenclature** - Wall cabinet nomenclature is type, width, height, depth i.e. W2730X15 = wall 27" wide by 30" high by 15" deep.
- **Plywood Box Upgrade** - Available.
- **Shelving** - 3/4" thick, 18" high cabinets and under, no shelves, 21", 24", 27" high cabinets one shelf, 30", 33", 36" high cabinets two shelves, 39" to 48" high cabinets, three shelves, 51" to 60" high come with four shelves.
- **Wood Types** - Alder, Cherry, Hickory, Maple, White Oak, Knotty Alder, Knotty Cherry, Knotty Hickoy, Knotty Maple, Knotty Walnut.

60" High Wall Cabinets

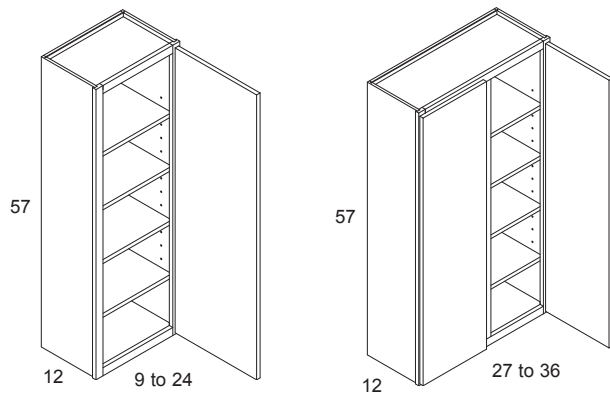


PRO	CROWN
N/A	W0960
	W1260
	W1560
	W1860
	W2160
	W2460
	W2760
	W3060
	W3360
	W3660

- Includes four adjustable shelves.
- Maximum depth increase 15".
- Mortise and tenon constructed doors include a center rail and two center panels.

Price Book Page | Pro | Crown - 7

57" High Wall Cabinets

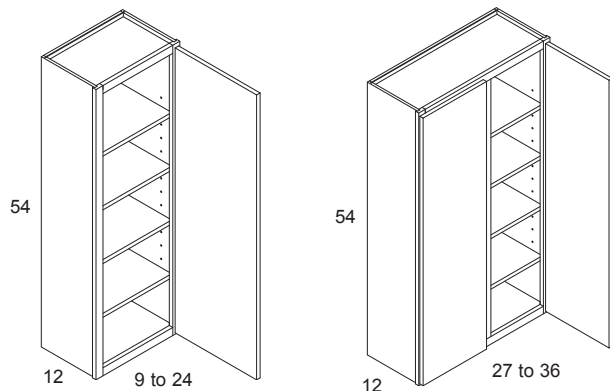


PRO	CROWN
N/A	W0957
	W1257
	W1557
	W1857
	W2157
	W2457
	W2757
	W3057
	W3357
	W3657

- Includes four adjustable shelves.
- Maximum depth increase 15".
- Mortise and tenon constructed doors include a center rail and two center panels.

Price Book Page | Pro | Crown - 7

54" High Wall Cabinets



PRO	CROWN
N/A	W0954
	W1254
	W1554
	W1854
	W2154
	W2454
	W2754
	W3054
	W3354
	W3654

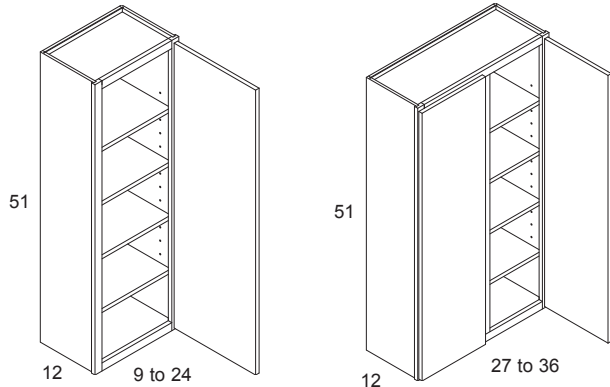
- Includes four adjustable shelves.
- Maximum depth increase 15".
- Mortise and tenon constructed doors include a center rail and two center panels.

Price Book Page | Pro | Crown - 7

Wall Cabinet Specifications



51" High Wall Cabinets

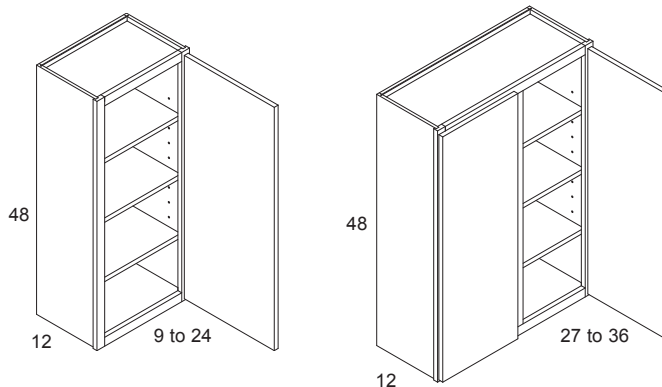


PRO	CROWN
N/A	W0951
	W1251
	W1551
	W1851
	W2151
	W2451
	W2751
	W3051
	W3351
	W3651

- Includes four adjustable shelves.
- Maximum depth increase 15".
- Mortise and tenon constructed doors include a center rail and two center panels.

Price Book Page | Pro | Crown - 7

48" High Wall Cabinets

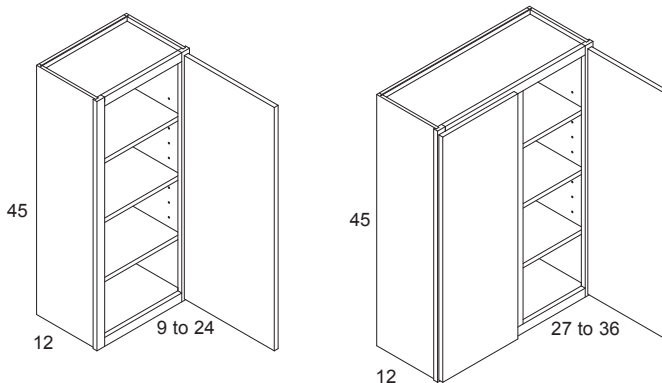


PRO	CROWN
N/A	W0948
	W1248
	W1548
	W1848
	W2148
	W2448
	W2748
	W3048
	W3348
	W3648

- Includes three adjustable shelves.
- Maximum depth increase 15".
- Mortise and tenon constructed doors include a center rail and two center panels.

Price Book Page | Pro | Crown - 7

45" High Wall Cabinets

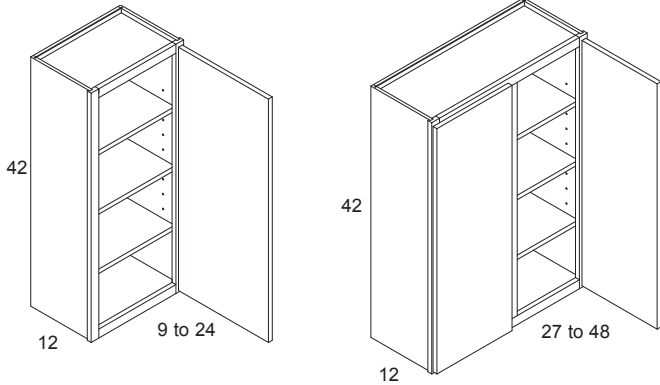


PRO	CROWN
N/A	W0945
	W1245
	W1545
	W1845
	W2145
	W2445
	W2745
	W3045
	W3345
	W3645

- Includes three adjustable shelves.
- Maximum depth increase 15".

Price Book Page | Pro | Crown - 8

42" High Wall Cabinets

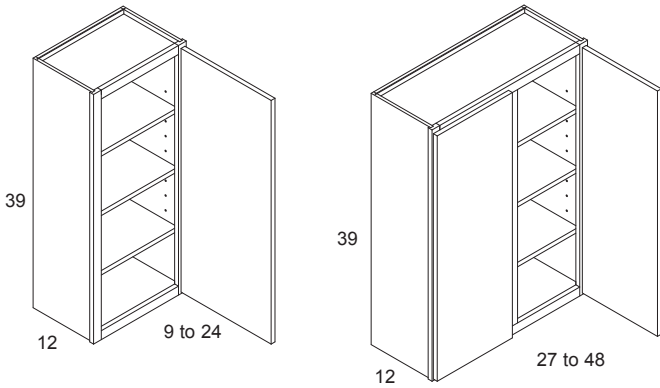


PRO	CROWN
W0942	W0942
W1242	W1242
W1542	W1542
W1842	W1842
W2142	W2142
W2442	W2442
W2742	W2742
W3042	W3042
W3642	W3342
W3942	W3642
W3942	W3942
W4242	W4242
W4542	W4542
W4842	W4842

• Includes three adjustable shelves.

Price Book Page Pro - 1 Crown - 8

39" High Wall Cabinets

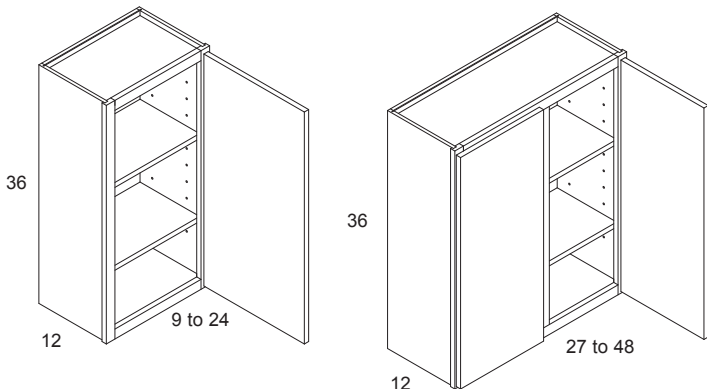


PRO	CROWN
W0939	W0939
W1239	W1239
W1539	W1539
W1839	W1839
W2139	W2139
W2439	W2439
W2739	W2739
W3039	W3039
W3339	W3339
W3639	W3639
W3939	W3939
W4239	W4239
W4539	W4539
W4839	W4839

• Includes three adjustable shelves.

Price Book Page Pro - 1 Crown - 8

36" High Wall Cabinets



PRO	CROWN
W0936	W0936
W1236	W1236
W1536	W1536
W1836	W1836
W2136	W2136
W2436	W2436
W2736	W2736
W3036	W3036
W3336	W3336
W3636	W3636
W3936	W3936
W4236	W4236
W4536	W4536
W4836	W4836

• Includes two adjustable shelves.

Price Book Page Pro - 1 Crown - 8

Wall Cabinet Specifications

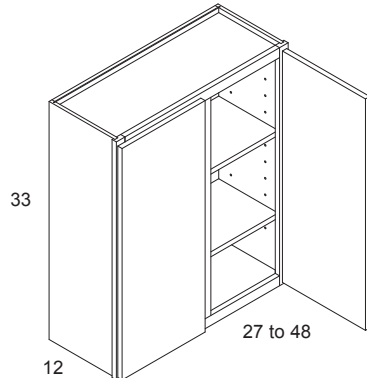
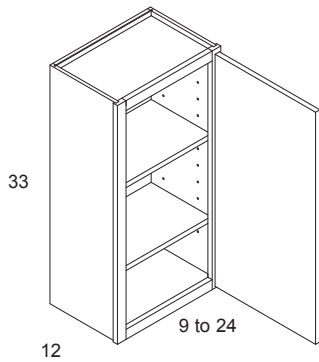


33" High Wall Cabinets

PRO	CROWN
-----	-------

W0933	W0933
W1233	W1233
W1533	W1533
W1833	W1833
W2133	W2133
W2433	W2433
W2733	W2733
W3033	W3033
W3333	W3333
W3633	W3633
W3933	W3933
W4233	W4233
W4533	W4533
W4833	W4833

• Includes two adjustable shelves.



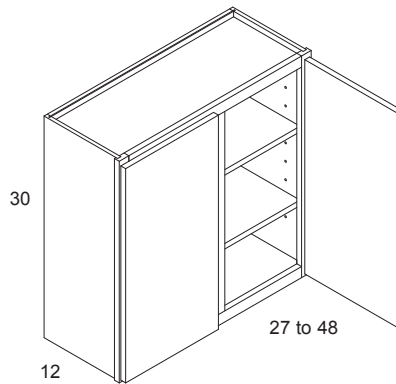
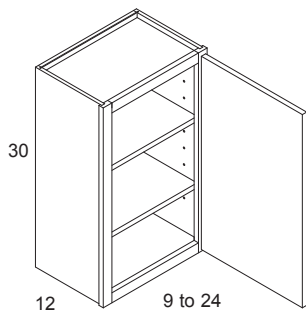
Price Book Page | Pro - 1 | Crown - 9

30" High Wall Cabinets

PRO	CROWN
-----	-------

W0930	W0930
W1230	W1230
W1530	W1530
W1830	W1830
W2130	W2130
W2430	W2430
W2730	W2730
W3030	W3030
W3330	W3330
W3630	W3630
W3930	W3930
W4230	W4230
W4530	W4530
W4830	W4830

• Includes two adjustable shelves.



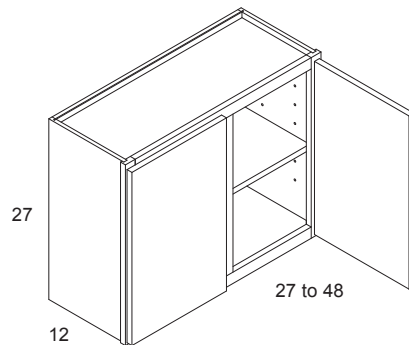
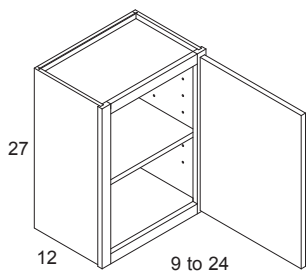
Price Book Page | Pro - 2 | Crown - 9

27" High Wall Cabinets

PRO	CROWN
-----	-------

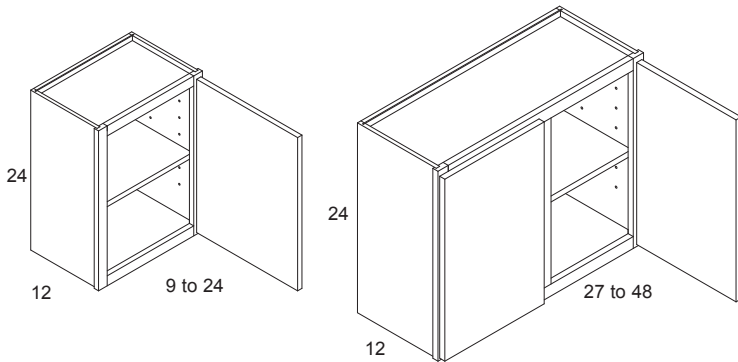
W3027	W0927
W3327	W1227
W3627	W1527
W3927	W1827
	W2127
	W2427
	W2727
	W3027
	W3327
	W3627
	W3727
	W3927
	W4227
	W4527
	W4827

• Includes one adjustable shelf.



Price Book Page | Pro - 2 | Crown - 9

24" High Wall Cabinets

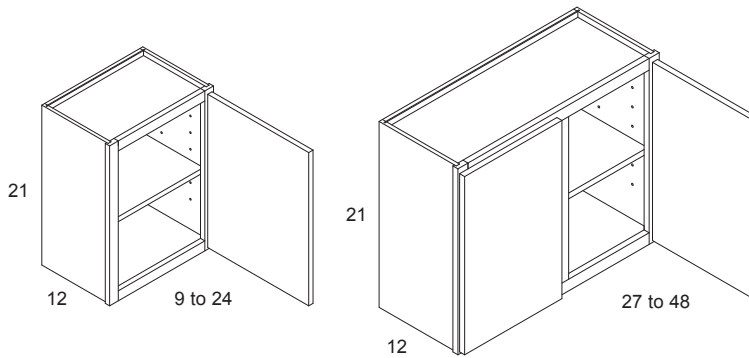


PRO	CROWN
W3024	W0924
W3324	W1224
W3624	W1524
W3924	W1824
	W2124
	W2424
	W2724
	W3024
	W3324
	W3624
	W3724
	W3924
	W4224
	W4524
	W4824

- Includes one adjustable shelf.
- Lift up door options see page 122.

Price Book Page | Pro - 2 | Crown - 9

21" High Wall Cabinets

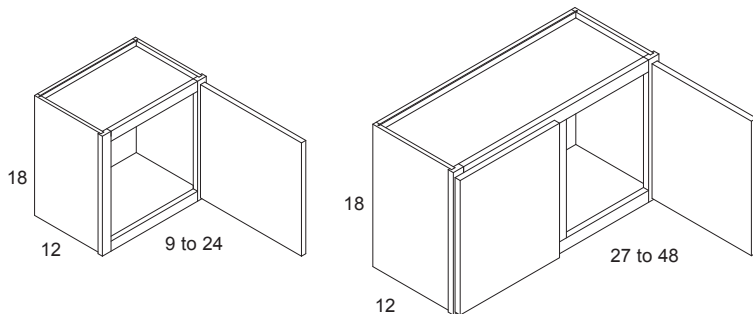


PRO	CROWN
W3021	W0921
W3321	W1221
W3621	W1521
W3921	W1821
	W2121
	W2421
	W2721
	W3021
	W3321
	W3621
	W3721
	W3921
	W4221
	W4521
	W4821

- Includes one adjustable shelf.
- Lift up door options see page 122.

Price Book Page | Pro - 2 | Crown - 10

18" High Wall Cabinets



PRO	CROWN
W3018	W0918
W3318	W1218
W3618	W1518
W3918	W1818
	W2118
	W2418
	W2718
	W3018
	W3318
	W3618
	W3718
	W3918
	W4218
	W4518
	W4818

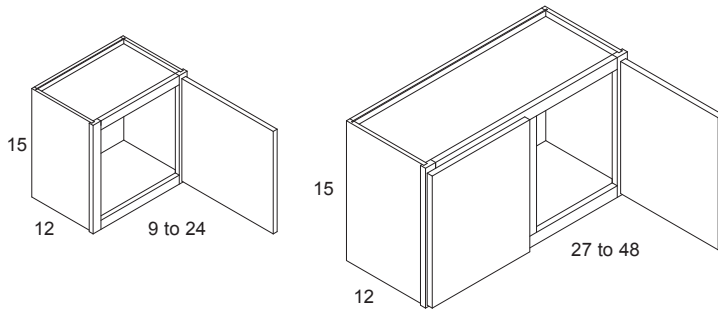
- No shelves.
- Lift up door options see page 122.

Price Book Page | Pro - 2 | Crown - 10

Wall Cabinet Specifications



15" High Wall Cabinets



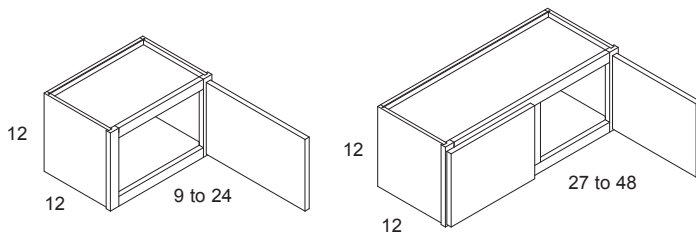
PRO	CROWN
-----	-------

W3015	W0915
W3315	W1215
W3615	W1515
W3915	W1815
	W2115
	W2415
	W2715
	W3015
	W3315
	W3615
	W3715
	W3915
	W4215
	W4515
	W4815

- No shelves.
- Lift up door options see page 122.

Price Book Page Pro - 2 Crown - 10

12" High Wall Cabinets



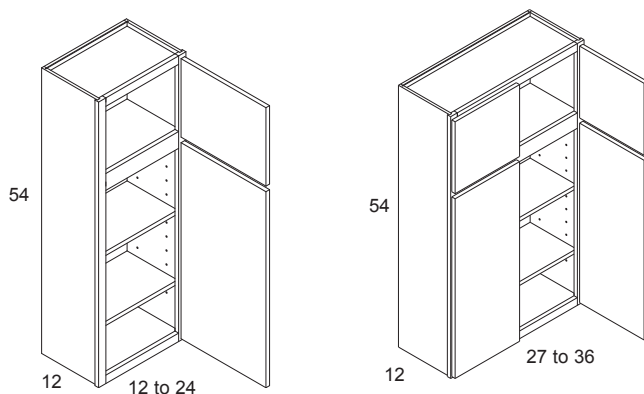
PRO	CROWN
-----	-------

W3012	W1212
W3312	W1512
W3612	W1812
W3912	W2112
	W2412
	W2712
	W3012
	W3312
	W3612
	W3712
	W3912
	W4212
	W4512
	W4812

- No shelves.
- Lift up door options see page 122.

Price Book Page Pro - 3 Crown - 11

54" High Wall Transom Cabinets



PRO	CROWN
-----	-------

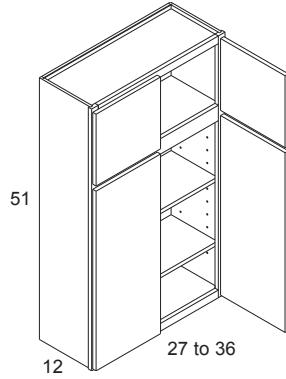
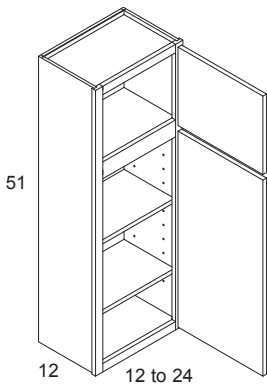
N/A	WTM1254
	WTM1554
	WTM1854
	WTM2154
	WTM2454
	WTM2754
	WTM3054
	WTM3354
	WTM3654

- Includes two adjustable shelves.
- Top compartment is 18" high, lower is 36" high.
- On cut for glass option specify top, bottom or all doors.
- Finished Interior option on the entire cabinet available.
- Maximum depth increase 15".
- Floor between top and bottom compartments.

Price Book Page Pro - Crown - 11

51" High Wall Transom Cabinets

PRO	CROWN
N/A	WTM1251
	WTM1551
	WTM1851
	WTM2151
	WTM2451
	WTM2751
	WTM3051
	WTM3351
	WTM3651

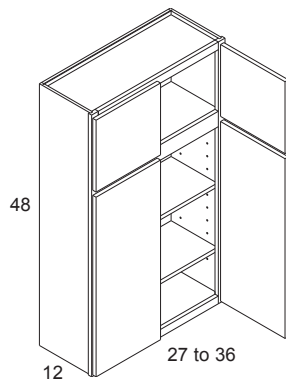
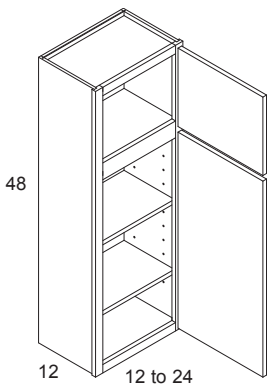


- Includes two adjustable shelves.
- Top compartment is 15" high, lower is 36" high.
- On cut for glass option specify top, bottom or all doors.
- Finished Interior option on the entire cabinet available.
- Maximum depth increase 15".
- Floor between top and bottom compartments.

Price Book Page Pro Crown - 11

48" High Wall Transom Cabinets

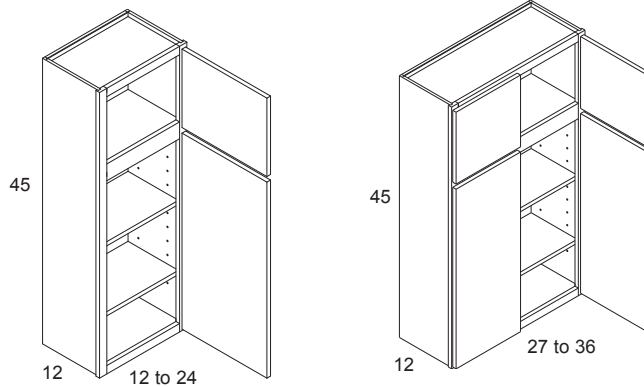
PRO	CROWN
N/A	WTM1248
	WTM1548
	WTM1848
	WTM2148
	WTM2448
	WTM2748
	WTM3048
	WTM3348
	WTM3648



- Includes two adjustable shelves.
- Top compartment is 15" high, lower is 33" high.
- On cut for glass option specify top, bottom or all doors.
- Finished Interior option on entire cabinet available.
- Maximum depth increase 15".
- Floor between top and bottom compartments.

Price Book Page Pro Crown - 11

45" High Wall Transom Cabinets

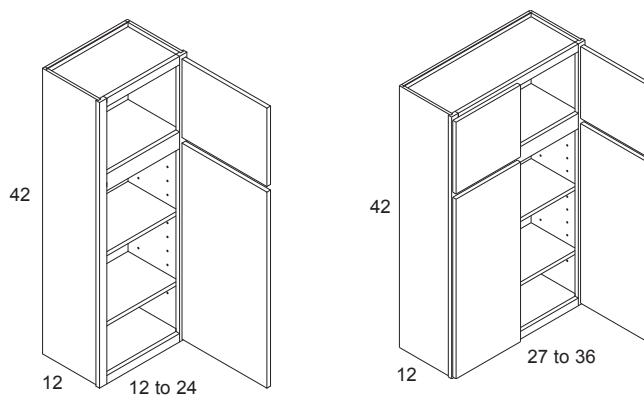


PRO	CROWN
N/A	WTM1245
	WTM1545
	WTM1845
	WTM2145
	WTM2445
	WTM2745
	WTM3045
	WTM3345
	WTM3645

- Includes two adjustable shelves.
- Top compartment is 12" high, lower is 33" high.
- On cut for glass option specify top, bottom or all doors.
- Finished Interior option on entire cabinet available.
- Maximum depth increase 15".
- Floor between top and bottom compartments.

Price Book Page | Pro | Crown - 11

42" High Wall Transom Cabinets

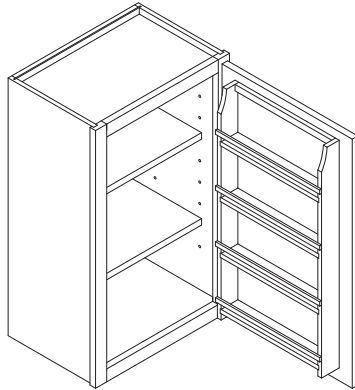


PRO	CROWN
N/A	WTM1242
	WTM1542
	WTM1842
	WTM2142
	WTM2442
	WTM2742
	WTM3042
	WTM3342
	WTM3642

- Includes two adjustable shelves.
- Top compartment is 12" high, lower is 30" high.
- On cut for glass option specify top, bottom or all doors.
- Finished Interior option on entire cabinet available.
- Maximum depth increase 15".
- Floor between top and bottom compartments.

Price Book Page | Pro | Crown - 11

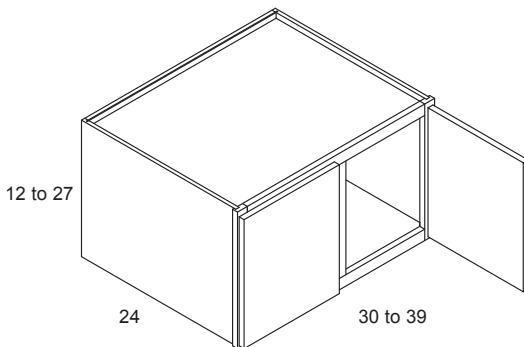
Optional Spice Rack Accessory



- Spice rack is constructed out of hardwood and is attached to the back of the door.
- Cabinet shelves are cut to fit.
- Spice rack shelves are 2" deep.
- Specify L or R hinged.
- See page 115.

Price Book Page Crown - 57

24" Deep Refrigerator Cabinets

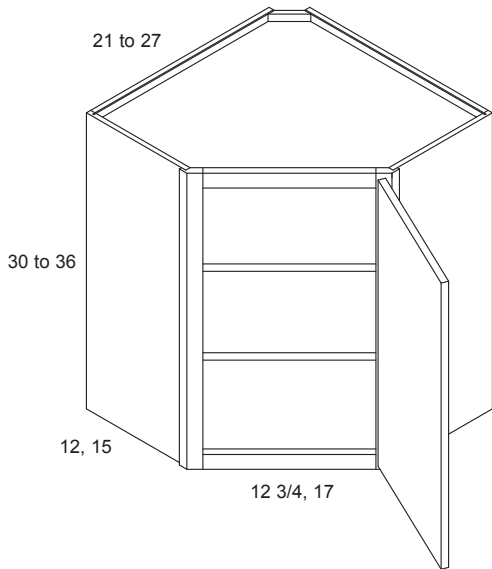


PRO	CROWN
W3012X24	W3012X24
W3312X24	W3312X24
W3612X24	W3612X24
W3712X24	W3712X24
W3912X24	W3912X24
W3015X24	W3015X24
W3015X24	W3315X24
W3315X24	W3615X24
W3615X24	W3915X24
W3715X24	W3715X24
W3915X24	W3018X24
W3018X24	W3318X24
W3318X24	W3618X24
W3618X24	W3918X24
W3718X24	W3718X24
W3918X24	W3021X24
W3021X24	W3321X24
W3321X24	W3621X24
W3621X24	W3921X24
W3721X24	W3721X24
W3021X24	W3024X24
W3924X24	W3324X24
W3324X24	W3624X24
W3624X24	W3924X24
W3724X24	W3724X24
W3924X24	W3027X24
	W3327X24
	W3627X24
	W3727X24
	W3927X24

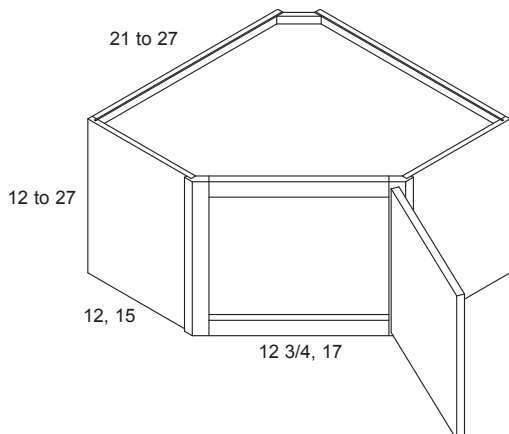
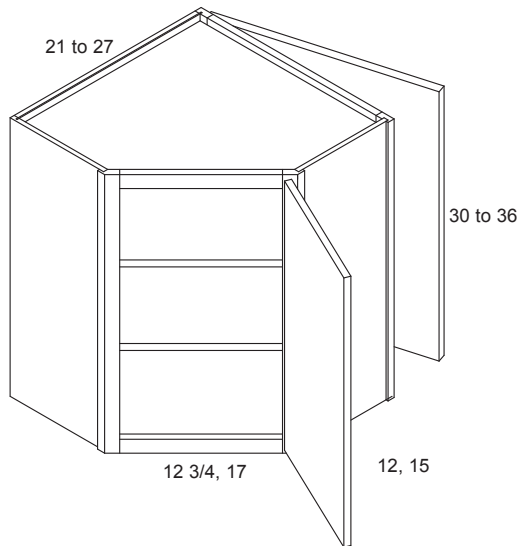
- One shelf in the 21", 24", and 27" high cabinets.
- 24" deep wall cabinets must be supported on sides or through the top.
- Depth increase not available.

Price Book Page Pro - 3 Crown - 12

Wall Corner Cabinets



Double Entry

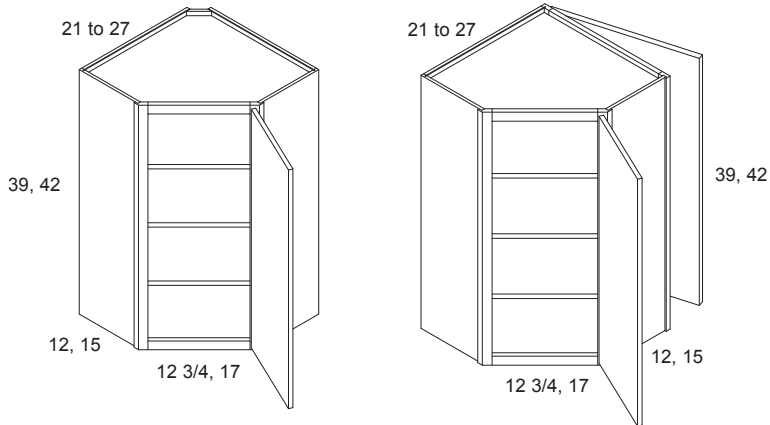


PRO	CROWN
WC2412	WC2112
WC2415	WC2115
WC2418	WC2118
WC2421	WC2121
WC2424	WC2124
WC2427	WC2127
WC2430	WC2130
WC2433	WC2133
WC2436	WC2136
WC2730X15	WC2412
WC2733X15	WC2415
WC2736X15	WC2418
	WC2421
	WC2424
	WC2427
	WC2430
	WC2433
	WC2436
	WC2430DE
	WC2433DE
	WC2436DE
	WC2412X15
	WC2415X15
	WC2418X15
	WC2421X15
	WC2424X15
	WC2427X15
	WC2430X15
	WC2433X15
	WC2436X15
	WC2712X15
	WC2715X15
	WC2718X15
	WC2721X15
	WC2724X15
	WC2727X15
	WC2730X15
	WC2733X15
	WC2736X15

- DE designates Double Entry. Picture to the left is a double entry, right application i.e. WC2430DE RA - R (RA - right application, right hinged).
- 3/4" side reveal for door swing clearance.
- See page 125 for Lazy Susan upgrade options.
- 21" - 27" high one shelf
- 12" - 18" high no shelf

Wall Corner Cabinets

Double Entry

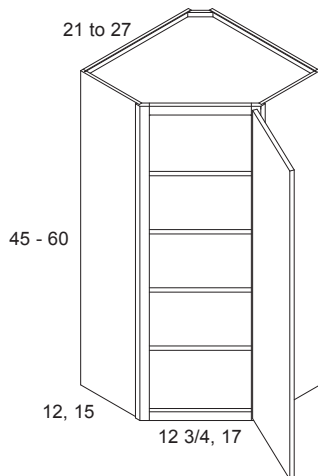


PRO	CROWN
WC2439	WC2139
WC2442	WC2142
WC2739X15	WC2439
WC2742X15	WC2442
	WC2439DE
	WC2442DE
	WC2439X15
	WC2442X15
	WC2739X15
	WC2742X15

- DE designates Double Entry. Picture to the left is a double entry, right application i.e. WC2436DE RA - R (RA - right application, right hinged).
- 3/4" side reveal for door swing clearance.
- See page 125 for Lazy Susan upgrade options.

Price Book Page | Pro - 3 | Crown - 13

Wall Corner Cabinets

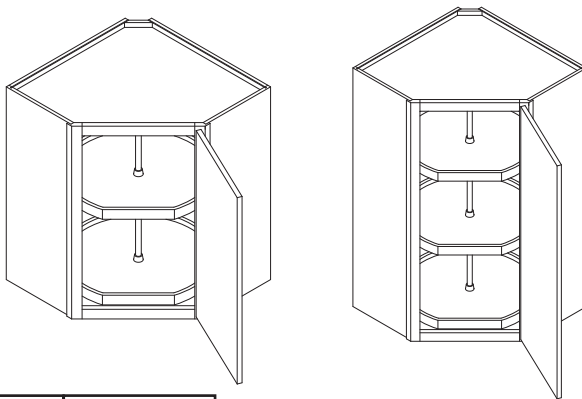


PRO	CROWN
N/A	WC2145
	WC2148
	WC2151
	WC2154
	WC2154
	WC2157
	WC2160
	WC2445
	WC2448
	WC2451
	WC2454
	WC2457
	WC2460
	WC2445X15
	WC2448X15
	WC2451X15
	WC2454X15
	WC2457X15
	WC2460X15
	WC2745X15
	WC2748X15
	WC2751X15
	WC2757X15
	WC2760X15

- 45", 48" high three adjustable shelves.
- 51" - 60" high four adjustable shelves.
- Maximum depth increase is 15".
- 3/4" side reveal for door swing clearance.

Price Book Page | Pro | Crown - 13

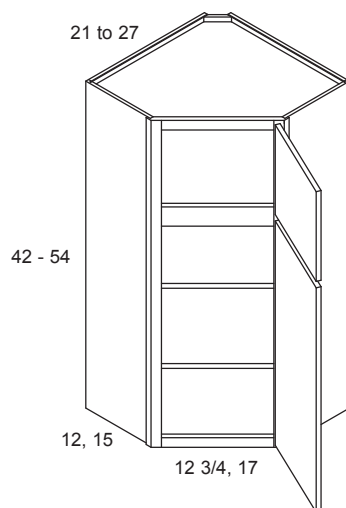
Wall Corner Lazy Susan Cabinets Upgrade Option



- Standard trays are polymer.
- Wood tray upgrade option page 125.
- Trays include height adjustability.
- 3/4" side reveal for door swing clearance.
- Tray diameters:
24" wide x 12" deep - 20"
24" wide x 15" deep - 22"
27" wide x 15" deep - 22"

Price Book Page Crown - 13, 62

Wall Corner Transom Cabinets



<u>PRO</u>	<u>CROWN</u>
N/A	WCTM2142
	WCTM2145
	WCTM2148
	WCTM2151
	WCTM2154
	WCTM2442
	WCTM2445
	WCTM2448
	WCTM2451
	WCTM2454
	WCTM2442X15
	WCTM2445X15
	WCTM2448X15
	WCTM2451X15
	WCTM2454X15
	WCTM2742X15
	WCTM2745X15
	WCTM2748X15
	WCTM2751X15
	WCTM2754X15

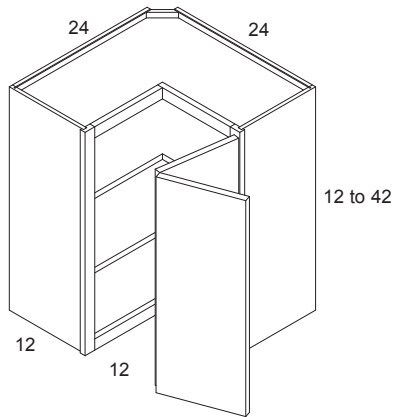
- 3/4" side reveal for door swing clearance.
- All heights include two adjustable shelves.
- Maximum depth increase 15".
- Compartment heights:

	<u>Upper</u>	<u>Lower</u>
42"	12"	30"
45"	12"	33"
48"	15"	33"
51"	15"	36"
54"	18"	36"

- On cut for glass options specify top, bottom or both doors.
- Finished Interior option on entire cabinet available.
- Floor between compartments.

Price Book Page Crown - 14

90° Wall Corner Cabinets

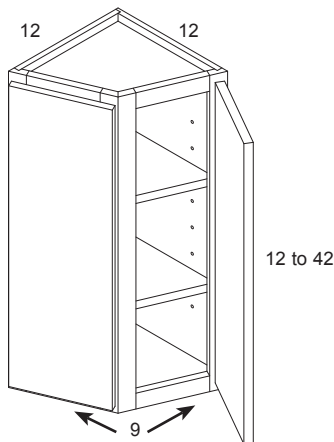


<u>PRO</u>	<u>CROWN</u>
N/A	WC2412-90
	WC2415-90
	WC2418-90
	WC2421-90
	WC2424-90
	WC2427-90
	WC2430-90
	WC2433-90
	WC2436-90
	WC2439-90
	WC2442-90

- Two shelves 30" high to 36" high, 39" and 42" high three shelves.
- LS not available.
- Door opens 170°.
- Specify hinged left or right.

Price Book Page Crown - 15

Wall End Corner Cabinets

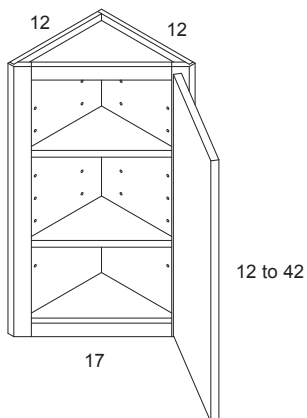


<u>PRO</u>	<u>CROWN</u>
N/A	WEC1212
	WEC1215
	WEC1218
	WEC1221
	WEC1224
	WEC1227
	WEC1230
	WEC1233
	WEC1236
	WEC1239
	WEC1242

- Two shelves 30" high to 36" high, 39" and 42" high three shelves.

Price Book Page Crown - 15

Wall End Angle Cabinets 45°

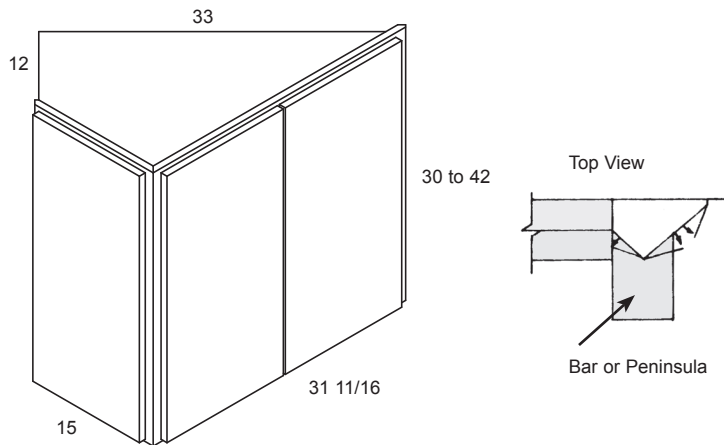


<u>PRO</u>	<u>CROWN</u>
N/A	WEA1212
	WEA1215
	WEA1218
	WEA1221
	WEA1224
	WEA1227
	WEA1230
	WEA1233
	WEA1236
	WEA1239
	WEA1242

- Two shelves 30" high to 36" high, 39" and 42" high three shelves.

Price Book Page Crown - 15

Wall Corner Peninsula Cabinets

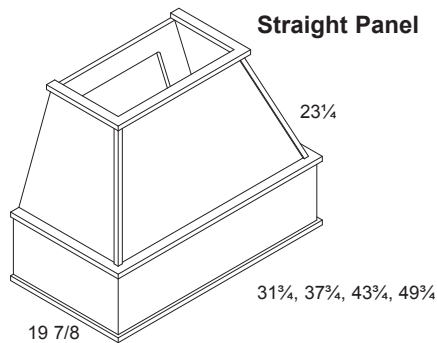


PRO	CROWN
N/A	WCP3330
	WCP3333
	WCP3336
	WCP3339
	WCP3342

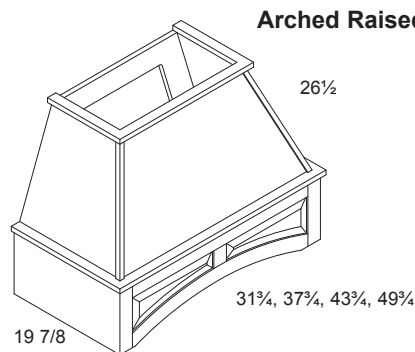
- Three shelves in the 39, 42" high cabinets.
- Accessible from both sides of the bar or peninsula.
- Specify RA - right application, or LA - left application.
- Half overlay on single door on the sides.
- Right application shown.

Price Book Page Crown - 17

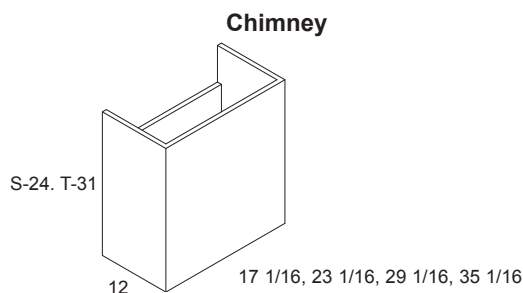
Wood Range Hood Covers and Chimneys



Straight Panel



Arched Raised Panel



Chimney

PRO	CROWN
All Crown sizes available. (see Crown pricing)	RHC30SP
	RHC36SP
	RHC42SP
	RHC48SP

RHC30ARP
RHC36ARP
RHC42ARP
RHC48ARP

CHIM30S
CHIM36S
CHIM42S
CHIM48S
CHIM30T
CHIM36T
CHIM42T
CHIM48T

- Includes hanging cleat and stainless steel hood liner.
- Chimney sold separately.
- Ventilator sold separately.
- SP - indicates straight panel option.
- ARP - indicates arched raised panel option.
- Chimney is trimmable.
- If you are not ordering one of the blower units we offer to go with these hoods, be sure to call for the custom pricing associated with building the hood to fit your blower. We will need the make and model of your blower unit to build the hood.

Price Book Page Pro - See Crown Crown-15

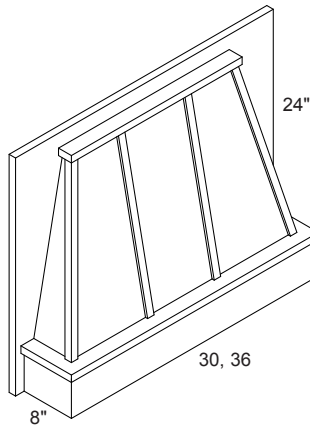
Range Hood Cover Ventilator

<u>PRO</u>	<u>CROWN</u>
All Crown sizes available. (see Crown pricing)	RHCVH RHCVL

- Silver finish (low volume) RHCVL
- Stainless finish (high volume) RHCVH
- HV - LED lighting.
- LV - Halogen lighting.
- Multi-speed blowers.
- Requires duct work.
- For more details refer to supplier login section of website.

Price Book Page | Pro - See Crown | Crown-16

Range Hood Fronts



<u>PRO</u>	<u>CROWN</u>
All Crown sizes available. (see Crown pricing)	RHF3024 RHF3624

- RHF's come with a hood liner. Does not include ventilator, ventilator sold separately.
- Range hood fronts should be installed between cabinets.

Price Book Page | Pro - See Crown | Crown - 16

Range Hood Front Ventilators

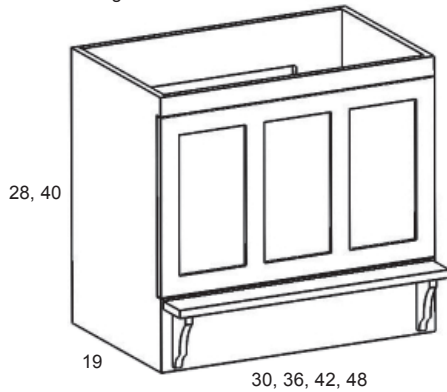
<u>PRO</u>	<u>CROWN</u>
All Crown sizes available. (see Crown pricing)	RHFVH RHFVL

- RHFVH (high volume).
- RHFVL (low volume).
- Requires duct work.
- Silver finish.
- Lighting included.

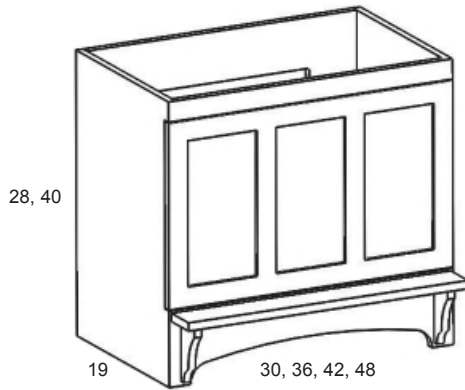
Price Book Page | Pro - See Crown | Crown-16

Rangehood Wall Cabinets Straight or Arched Scallop Corbel Shelf

Straight bottom rail - RHWS



Arched bottom rail - RHWA

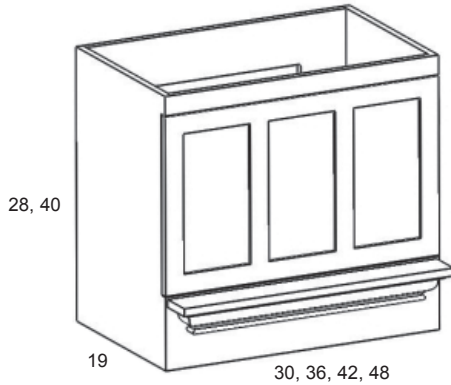


PRO	CROWN
All Crown	RHWS3028SC
Sizes	RHWS3040SC
available.	RHWS3628SC
(See Crown	RHWS3640SC
Pricing)	RHWS4228SC
	RHWS4240SC
	RHWS4828SC
	RHWS4840SC
	RHWA3028SC
	RHWA3040SC
	RHWA3628SC
	RHWA3640SC
	RHWA4228SC
	RHWA4240SC

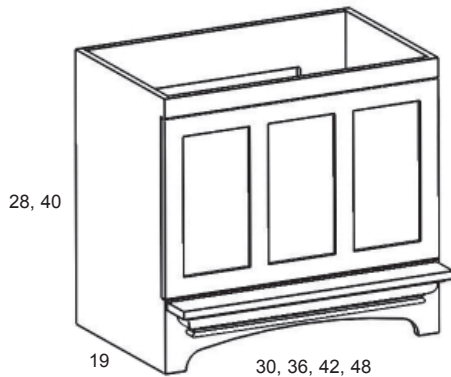
- 30" - 42" widths 3 panel door.
- 48" wide 4 panel door.
- Door hinged for access into blower compartment.
- Liner included, blower sold separately, see page 43.
- Scalloped simple shelf included.
- Straight or flush bottom rail or arched bottom rail.
- If ordering the ventilator from Crown, use Range Hood Cover Ventilators.
- Standard door style is Clearcreek.
- Optional door styles available: Bigcreek, Cascade, Vintage, and Ridgeline. Specify on order.
- Exterior side flush and finished.

Rangehood Wall Cabinets Straight or Arched Crown Molding Shelf

Straight bottom rail - RHWS



Arched bottom rail - RHWA

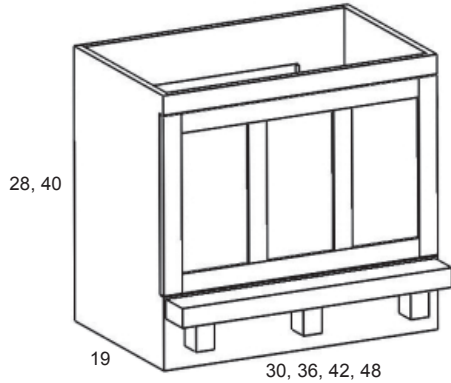


<u>PRO</u>	<u>CROWN</u>
All Crown	RHWS3028CM
Sizes	RHWS3040CM
available.	RHWS3628CM
(See Crown	RHWS3640CM
Pricing)	RHWS4228CM
	RHWS4240CM
	RHWS4828CM
	RHWS4840CM
	RHWA3028CM
	RHWA3040CM
	RHWA3628CM
	RHWA3640CM
	RHWA4228CM
	RHWA4240CM
	RHWA4828CM
	RHWA4840CM

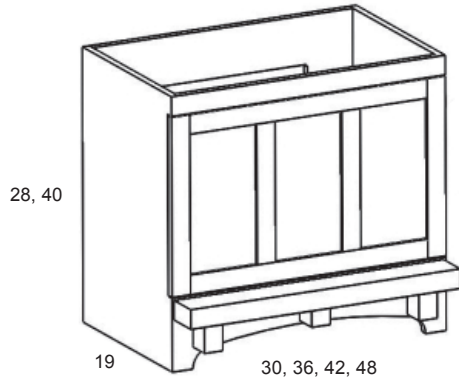
- 30" - 42" widths 3 panel door.
- 48" wide 4 panel door.
- Door hinged for access into blower compartment.
- Liner included, blower sold separately, see page 43.
- Crown molding shelf included.
- Straight or flush bottom rail or arched bottom rail.
- If ordering the ventilator from Crown, use Range Hood Cover Ventilators.
- Standard door style is Clearcreek.
- Optional door styles available: Bigcreek, Cascade, Vintage, and Ridgeline. Specify on order.
- Exterior side flush and finished.

Rangehood Wall Cabinets Straight or Arched Block Corbel Shelf

Straight bottom rail - RHWS



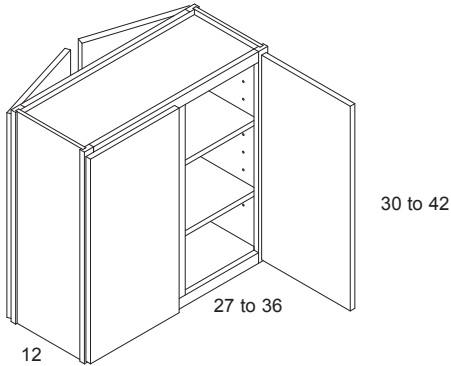
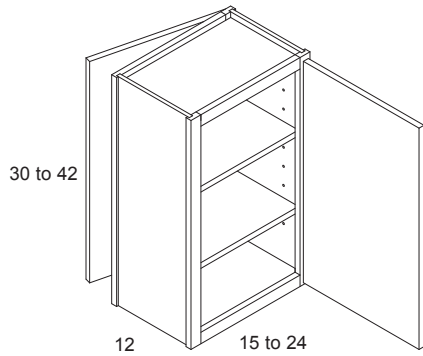
Arched bottom rail - RHWA



PRO	CROWN
All Crown Sizes available. (See Crown Pricing)	RHWS3028BC
	RHWS3040BC
	RHWS3628BC
	RHWS3640BC
	RHWS4228BC
	RHWS4240BC
	RHWS4828BC
	RHWS4840BC
	RHWA3028BC
	RHWA3040BC
	RHWA3628BC
	RHWA3640BC
	RHWA4228BC
	RHWA4240BC
	RHWA4828BC
	RHWA4840BC

- 30" - 42" widths 3 panel door.
- 48" wide 4 panel door.
- Door hinged for access into blower compartment.
- Liner included, blower sold separately, see page 43.
- Block Corbel shelf included.
- Straight or flash bottom rail or arched bottom rail.
- If ordering the ventilator from Crown, use Range Hood Cover Ventilators.
- Standard door style is Clearcreek.
- Optional door styles available: Bigcreek, Cascade, Vintage, and Ridgeline. Specify on orde.
- Exterior side flush and finished.

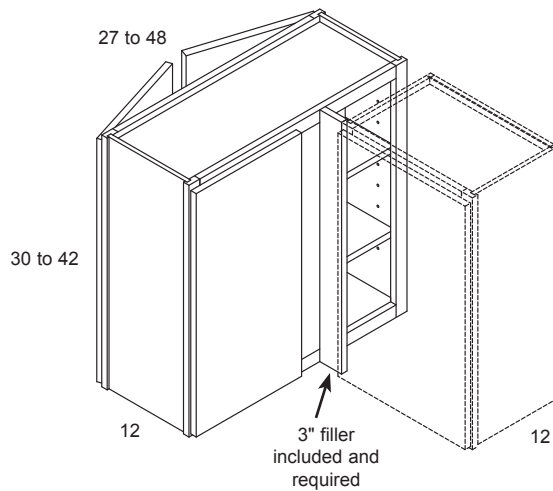
Wall Double Entry Cabinets



<u>PRO</u>	<u>CROWN</u>
N/A	W1530DE
	W1830DE
	W2130DE
	W2430DE
	W2730DE
	W3030DE
	W3330DE
	W3630DE
	W1533DE
	W1833DE
	W2133DE
	W2433DE
	W2733DE
	W3033DE
	W3333DE
	W3633DE
	W1536DE
	W1836DE
	W2136DE
	W2436DE
	W2736DE
	W3036DE
	W3336DE
	W3636DE
	W1539DE
	W1839DE
	W2139DE
	W2439DE
	W2739DE
	W3039DE
	W3339DE
	W3639DE
	W1542DE
	W1842DE
	W2142DE
	W2442DE
	W2742DE
	W3042DE
	W3342DE
	W3642DE

• 30", 33", 36" high have two shelves, 39", 42" high have three shelves.

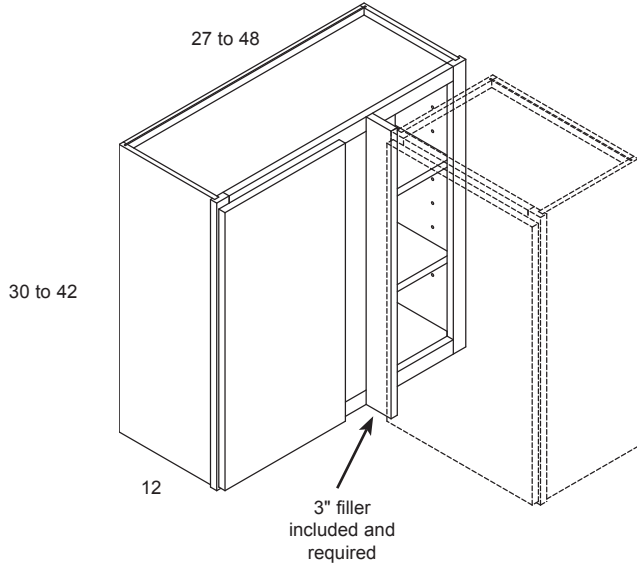
Wall Square Corner Double Entry Cabinets



PRO	CROWN
N/A	WSC2730DE
	WSC3030DE
	WSC3330DE
	WSC3630DE
	WSC3930DE
	WSC4230DE
	WSC4530DE
	WSC4830DE
	WSC2733DE
	WSC3033DE
	WSC3333DE
	WSC3633DE
	WSC3933DE
	WSC4233DE
	WSC4533DE
	WSC4833DE
	WSC2736DE
	WSC3036DE
	WSC3336DE
	WSC3636DE
	WSC3936DE
	WSC4236DE
	WSC4536DE
	WSC4836DE
	WSC2739DE
	WSC3039DE
	WSC3339DE
	WSC3639DE
	WSC3939DE
	WSC4239DE
	WSC4539DE
	WSC4839DE
	WSC2742DE
	WSC3042DE
	WSC3342DE
	WSC3642DE
	WSC3942DE
	WSC4242DE
	WSC4542DE
	WSC4842DE

- Three shelves in the 39" and 42" high cabinets. Two shelves in 30" - 36" high cabinets.
- DE designates Double Entry. Picture above is a blind right. Specify blind right or blind left.
- 42" and wider cabinets have a double door on the front.
- All cabinets may be pulled from the wall up to 3", requires additional filler, for back.
- Filler loose.

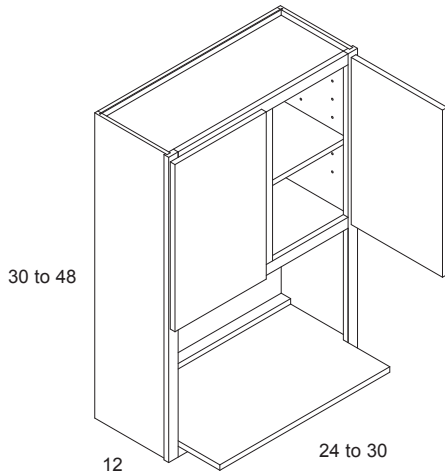
Adjustable Wall Square Corner Cabinets



<u>PRO</u>	<u>CROWN</u>
WSC2730	WSC2730
WSC3030	WSC3030
WSC3330	WSC3330
WSC3630	WSC3630
WSC3930	WSC3930
WSC4230	WSC4230
WSC4530	WSC4530
WSC4830	WSC4830
WSC2733	WSC2733
WSC3033	WSC3033
WSC3333	WSC3333
WSC3633	WSC3633
WSC3933	WSC3933
WSC4233	WSC4233
WSC4533	WSC4533
WSC4833	WSC4833
WSC2736	WSC2736
WSC3036	WSC3036
WSC3336	WSC3336
WSC3636	WSC3636
WSC3936	WSC3936
WSC4236	WSC4236
WSC4536	WSC4536
WSC4836	WSC4836
WSC2739	WSC2739
WSC3039	WSC3039
WSC3339	WSC3339
WSC3639	WSC3639
WSC3939	WSC3939
WSC4239	WSC4239
WSC4539	WSC4539
WSC4839	WSC4839
WSC2742	WSC2742
WSC3042	WSC3042
WSC3342	WSC3342
WSC3642	WSC3642
WSC3942	WSC3942
WSC4242	WSC4242
WSC4542	WSC4542
WSC4842	WSC4842

- Three shelves in the 39", 42" high cabinets.
- Cabinet may be pulled from the wall up to 3".
- 42" and wider have 2 doors.
- Filler loose.

Wall Microwave Shelf Cabinets



Opening height:

15³/₄"

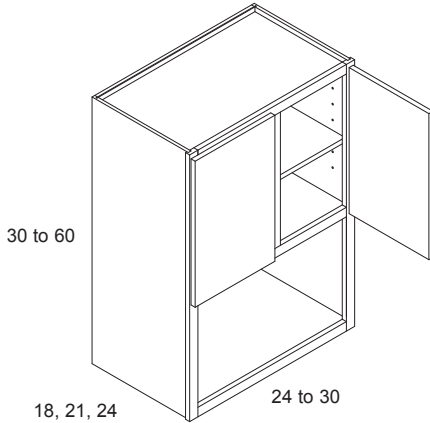
Opening width:

3" less than the cabinet width.

<u>PRO</u>	<u>CROWN</u>
WMW2430	WMW2430
WMW2433	WMW2433
WMW2436	WMW2436
WMW2439	WMW2439
WMW2442	WMW2442
WMW2730	WMW2445
WMW2733	WMW2448
WMW2736	WMW2451
WMW2739	WMW2454
WMW2742	WMW2457
WMW3030	WMW2460
WMW3033	WMW2730
WMW3036	WMW2739
WMW3039	WMW2742
WMW3042	WMW2745
	WMW2748
	WMW2751
	WMW2754
	WMW2757
	WMW2760
	WMW3030
	WMW3033
	WMW3036
	WMW3039
	WMW3042
	WMW3045
	WMW3048
	WMW3051
	WMW3054
	WMW3057
	WMW3060

- 24" wide has a single door.
- 39, 42" high - 1 shelf.
- 48" - 60" 2 shelves.
- Microwave shelf is 18" deep, 3/4" thick plywood with solid wood endcap.
- Custom cutout available, specify.
- Finished interior available.

Wall Microwave Cabinets



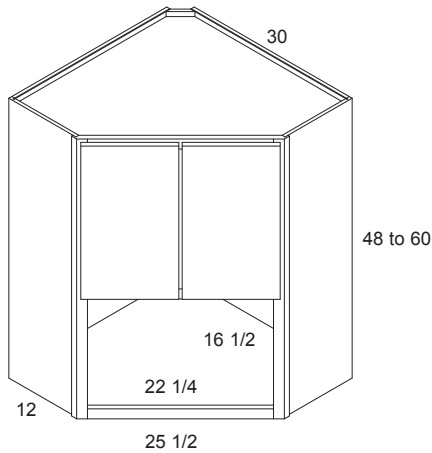
Opening height:
16 1/2"
Opening width:
3" less than the cabinet width.

PRO	CROWN
N/A	WMW2430X18
	WMW2433X18
	WMW2436X18
	WMW2439X18
	WMW2442X18
	WMW2445X18
	WMW2448X18
	WMW2451X18
	WMW2454X18
	WMW2457X18
	WMW2460X18
	WMW2730X18
	WMW2733X18
	WMW2736X18
	WMW2739X18
	WMW2742X18
	WMW2745X18
	WMW2748X18
	WMW2751X18
	WMW2754X18
	WMW2757X18
	WMW2760X18
	WMW3030X18
	WMW3033X18
	WMW3036X18
	WMW3039X18
	WMW3042X18
	WMW3045X18
	WMW3048X18
	WMW3051X18
	WMW3054X18
	WMW3057X18
	WMW3060X18

PRO	CROWN	PRO	CROWN
N/A	WMW2430X21	N/A	WMW2430X24
	WMW2433X21		WMW2433X24
	WMW2436X21		WMW2436X24
	WMW2439X21		WMW2439X24
	WMW2442X21		WMW2442X24
	WMW2445X21		WMW2445X24
	WMW2448X21		WMW2448X24
	WMW2451X21		WMW2451X24
	WMW2454X21		WMW2454X24
	WMW2457X21		WMW2457X24
	WMW2460X21		WMW2460X24
	WMW2730X21		WMW2730X24
	WMW2733X21		WMW2733X24
	WMW2736X21		WMW2736X24
	WMW2739X21		WMW2739X24
	WMW2742X21		WMW2742X24
	WMW2745X21		WMW2745X24
	WMW2748X21		WMW2748X24
	WMW2751X21		WMW2751X24
	WMW2754X21		WMW2754X24
	WMW2757X21		WMW2757X24
	WMW2760X21		WMW2760X24
	WMW3030X21		WMW3030X24
	WMW3033X21		WMW3033X24
	WMW3036X21		WMW3036X24
	WMW3039X21		WMW3039X24
	WMW3042X21		WMW3042X24
	WMW3045X21		WMW3045X24
	WMW3048X21		WMW3048X24
	WMW3051X21		WMW3051X24
	WMW3054X21		WMW3054X24
	WMW3057X21		WMW3057X24
	WMW3060X21		WMW3060X24

- 24" wide has a single door.
- 39, 42", 45" high - 1 shelf.
- 48" - 60" 2 shelves.
- Finished Interior available.
- Custom cutout available. Specify.
- **On custom cut outs, width of opening cannot exceed cabinet width minus 3".**

Wall Corner Microwave Cabinets

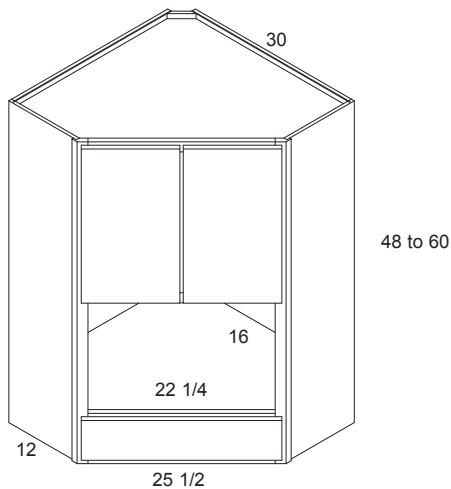


<u>PRO</u>	<u>CROWN</u>
N/A	WCMW3048
	WCMW3051
	WCMW3054
	WCMW3057
	WCMW3060

- Opening dimensions 22 1/4" W x 16 1/2" H.
- Custom cutouts available, specify.
- Finished interior available.
- 48" - 54" high - 2 shelves.
- 57", 60" high - 3 shelves.
- 3/4" side reveal for door swing clearance.
- No depth modifications.
- Butt doors standard.

Price Book Page Crown - 21

Wall Corner Microwave Cabinets w/Drawer



<u>PRO</u>	<u>CROWN</u>
N/A	WCMWD3048
	WCMWD3051
	WCMWD3054
	WCMWD3057
	WCMWD3060

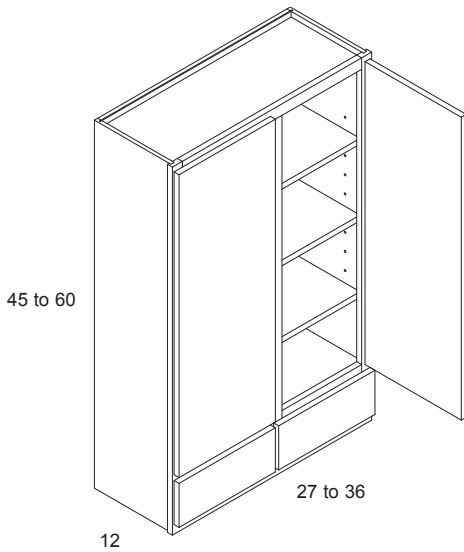
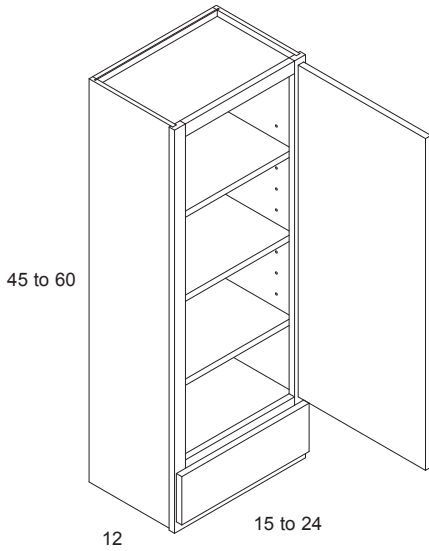
- Opening dimensions 22 1/4" W x 16" H.
- Custom cutouts available, specify.
- Finished interior available.
- 48", 51" high - 1 shelf.
- 54" - 60" high - 2 shelves.
- 3/4" side reveal for door swing clearance.
- No depth modifications.
- Butt doors standard.

Price Book Page Crown - 21

Wall Drawer Cabinets

PRO
N/A

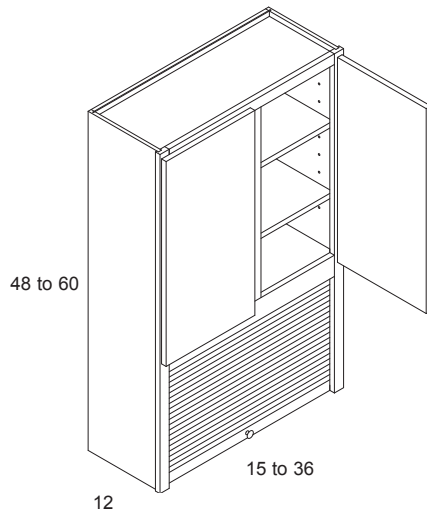
CROWN



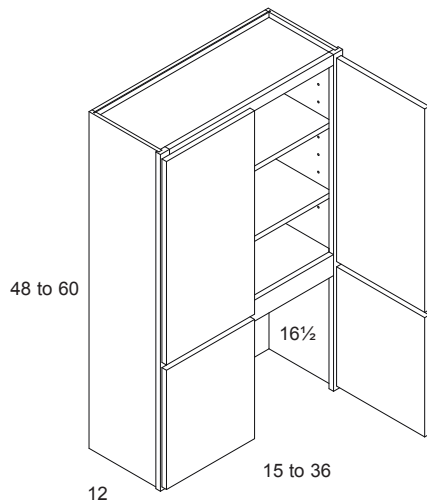
- WD1545
- WD1845
- WD2145
- WD2445
- WD2745
- WD3045
- WD3345
- WD3645
- WD1548
- WD1848
- WD2148
- WD2448
- WD2748
- WD3048
- WD3348
- WD3648
- WD1551
- WD1851
- WD2151
- WD2451
- WD2751
- WD3051
- WD3351
- WD3651
- WD1554
- WD1854
- WD2154
- WD2454
- WD2754
- WD3054
- WD3354
- WD3654
- WD1557
- WD1857
- WD2157
- WD2457
- WD2757
- WD3057
- WD3357
- WD3657
- WD1560
- WD1860
- WD2160
- WD2460
- WD2760
- WD3060
- WD3360
- WD3660

- 45" - 60" have 3 adjustable shelves.
- Wall drawer cabinets must be installed after the counter top has been installed.
- 27" wide has one drawer.

Wall Appliance Garage Cabinets



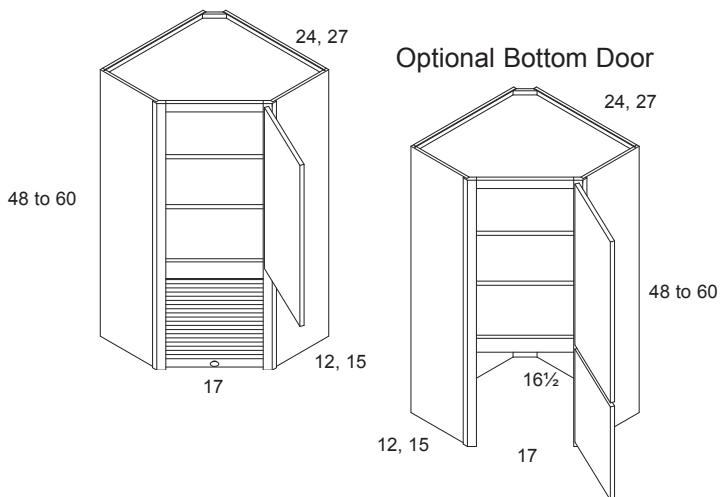
Optional Bottom Doors



PRO	CROWN
N/A	WAG1548
	WAG1848
	WAG2148
	WAG2448
	WAG2748
	WAG3048
	WAG3348
	WAG3648
	WAG1551
	WAG1851
	WAG2151
	WAG2451
	WAG2751
	WAG3051
	WAG3351
	WAG3651
	WAG1554
	WAG1854
	WAG2154
	WAG2454
	WAG2754
	WAG3054
	WAG3354
	WAG3654
	WAG1557
	WAG1857
	WAG2157
	WAG2457
	WAG2757
	WAG3057
	WAG3357
	WAG3657
	WAG1560
	WAG1860
	WAG2160
	WAG2460
	WAG2760
	WAG3060
	WAG3360
	WAG3660

- 48" - 54" have 2 adjustable shelves, 57", 60" have 3 adjustable shelves.
- Opening width = width of cabinet minus 3".
- Opening height = 16 1/2".
- Wood tambor sliding door.
- Wall appliance garage cabinets must be installed after the counter top.
- Door option available on the appliance garage section. Indicate this option by adding a "D" i.e. WAGD3660.
- All double door cabinets with the lower door D option have butt doors top and bottom.
- 15" to 24" single door, 27" to 36" double doors. 24" double doors optional.

Wall Corner Appliance Garage Cabinets

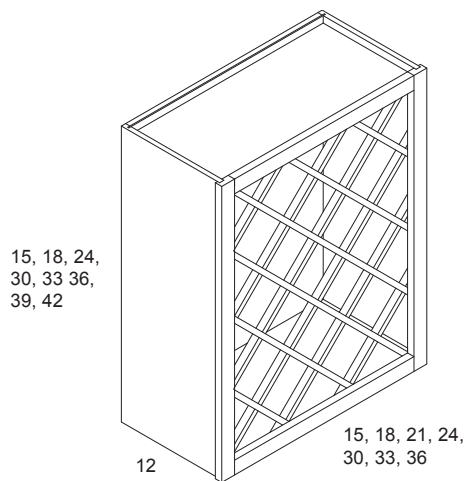


PRO	CROWN
N/A	WCAG2448
	WCAG2451
	WCAG2454
	WCAG2457
	WCAG2460
	WCAG2748X15
	WCAG2751X15
	WCAG2754X15
	WCAG2757X15
	WCAG2760X15

- 48" - 54" have 2 adjustable shelves, 57", 60" 3 shelves.
- Opening height = 16½".
- Wood tambor sliding door.
- Wall Corner Appliance cabinets must be installed after the counter top has been installed.
- Half overlay door on the sides.
- Add "D" to description for door option, i.e. WCAGD2448.

Price Book Page Crown - 23

Wine Rack Cabinets

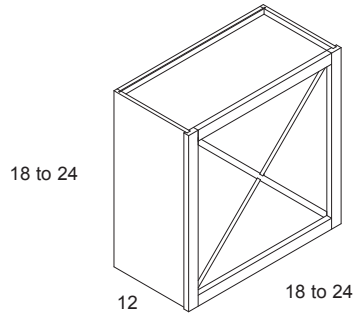


PRO	CROWN
All Crown sizes available. (see Crown pricing)	WR1530
	WR1830
	WR2130
	WR2430
	WR1533
	WR1833
	WR2133
	WR2433
	WR1536
	WR1836
	WR2136
	WR2436
	WR1539
	WR1839
	WR2139
	WR2439
	WR1542
	WR1842
	WR2142
	WR2442
	WR3015
	WR3315
	WR3615
	WR3018
	WR3318
	WR3618
	WR2424
	WR3024
	WR3324
	WR3624
	WR1815
	WR1818
	WR1824
	WR2415
	WR2418

- Grids are constructed out of hardwood.
- Standard with Finished Interior.

Price Book Page Pro - See Crown Crown - 23

Wall Criss-Cross Wine Rack

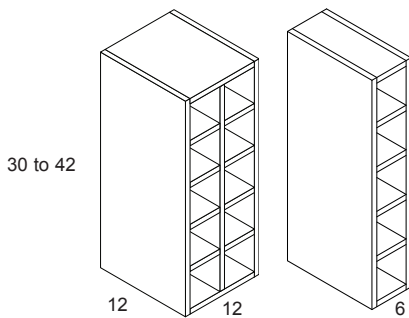


<u>PRO</u>	<u>CROWN</u>
All Crown sizes available. (see Crown pricing)	WCCWR1818 WCCWR2121 WCCWR2424

- Finished interior.
- 3/4" thick plywood or MDF shelving.
- Depth modification available. No width or height modifications available.

Price Book Page | Pro - See Crown | Crown - 23

Wall Wine Rack Cabinets



<u>PRO</u>	<u>CROWN</u>
All Crown sizes available. (see Crown pricing)	WWR0630 WWR0633 WWR0636 WWR0639 WWR0642 WWR1230 WWR1233 WWR1236 WWR1239 WWR1242

- Frameless construction.
- Finished interiors and exteriors.
- If installed horizontally, lines from construction will be visible.

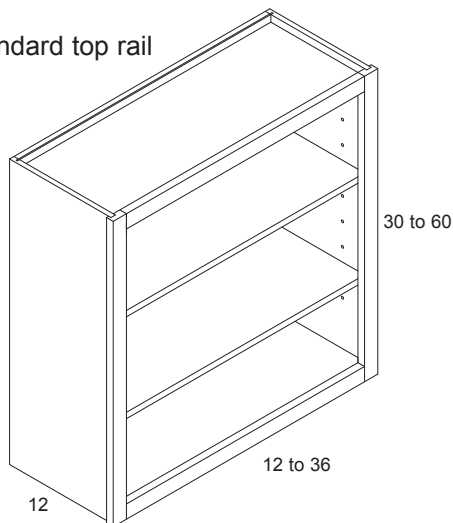
Number of slots

		High				
		30	33	36	39	42
Wide	6	5	6	6	7	7
	12	10	12	12	14	14

Price Book Page | Pro - See Crown | Crown - 24

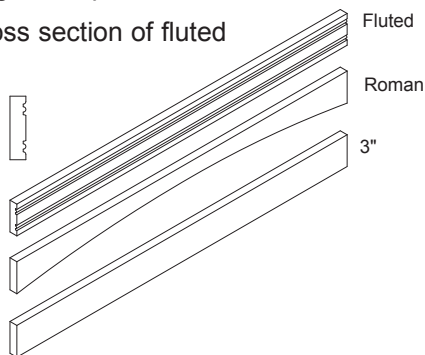
Wall Open Shelf Cabinets

Standard top rail



Upgrade Options:

Cross section of fluted

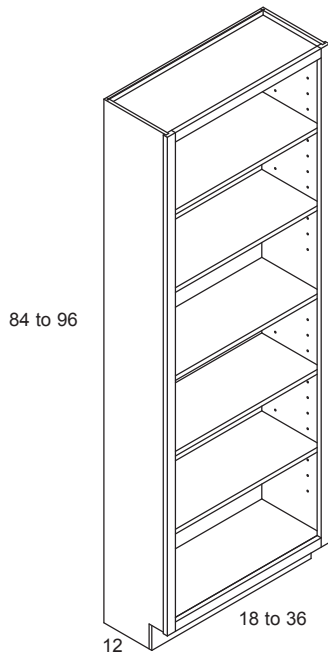


- Includes finished interior to match face frame.
- Upgrade options for top rail:
3" fluted top rail.
3" roman arch top
3" top rail.
- Shelves are 3/4" thick veneer plywood or MDF.
- 30" - 36" high has 2 shelves.
39" - 48" high has 3 shelves.
51", 60" high has 4 shelves.
- Beaded back panel upgrade option.
- Plywood or MDF construction only.
- 1 1/2" solid wood cap shelves available.

PRO	CROWN	PRO	CROWN
All Crown sizes available. (see Crown pricing)	WOS1230	All Crown sizes available. (see Crown pricing)	WOS1242
	WOS1530		WOS1542
	WOS1830		WOS1842
	WOS2130		WOS2142
	WOS2430		WOS2442
	WOS2730		WOS2742
	WOS3030		WOS3042
	WOS3330		WOS3342
	WOS3630		WOS3642
	WOS1233		WOS1248
	WOS1533		WOS1548
	WOS1833		WOS1848
	WOS2133		WOS2148
	WOS2433		WOS2448
	WOS2733		WOS2748
	WOS3033		WOS3048
	WOS3333		WOS3348
	WOS3633		WOS3648
	WOS1236		WOS1251
	WOS1536		WOS1551
	WOS1836		WOS1851
	WOS2136		WOS2151
	WOS2436		WOS2451
	WOS2736		WOS2751
	WOS3036		WOS3051
	WOS3336		WOS3351
	WOS3636		WOS3651
	WOS1239		WOS1254
	WOS1539		WOS1554
	WOS1839		WOS1854
	WOS2139		WOS2154
	WOS2439		WOS2454
	WOS2739		WOS2754
	WOS3039		WOS3054
	WOS3339		WOS3354
	WOS3639		WOS3654
			WOS1257
			WOS1557
			WOS1857
			WOS2157
			WOS2457
			WOS2757
			WOS3057
			WOS3357
			WOS3657
			WOS1260
			WOS1560
			WOS1860
			WOS2160
			WOS2460
			WOS2760
			WOS3060
			WOS3360
			WOS3660

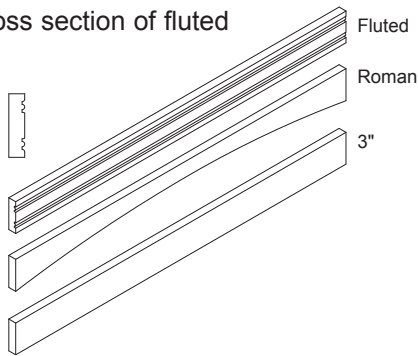
Wall Cabinet Specifications

Bookcase cabinets



Upgrade Options:

Cross section of fluted

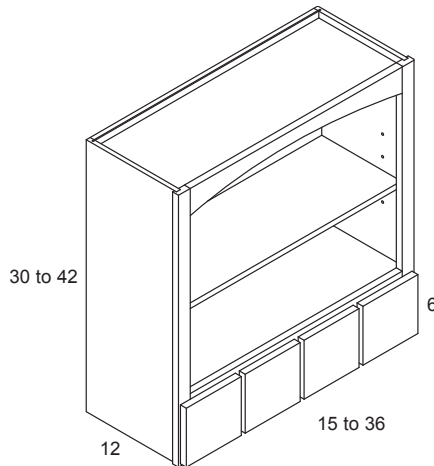


PRO	CROWN
All Crown sizes available. (see Crown pricing)	BCC1884
	BCC2184
	BCC2484
	BCC2784
	BCC3084
	BCC3684
	BCC1887
	BCC2187
	BCC2487
	BCC2787
	BCC3087
	BCC3687
	BCC1890
	BCC2190
	BCC2490
	BCC2790
	BCC3090
	BCC3690
	BCC1893
	BCC2193
	BCC2493
	BCC2793
	BCC3093
	BCC3693
	BCC1896
	BCC2196
	BCC2496
	BCC2796
	BCC3096
	BCC3696

- Finished Interior standard.
- Shelves - $\frac{3}{4}$ " thick veneer plywood or MDF, adjustable. Middle shelf is fixed. 84" - 96" - 5 shelves - center shelf is fixed.
- Bookcases may be modified in depth. (see modifications).
- Upgrade options for top rail:
 - 3" fluted top rail.
 - 3" roman arch top rail.
 - 3" top rail.
- Plywood or MDF, construction only.
- $1\frac{1}{2}$ " solid wood cap shelves available.

Wall Open Shelf Cabinets with Spice Drawers

Shown here with Roman upgrade option.

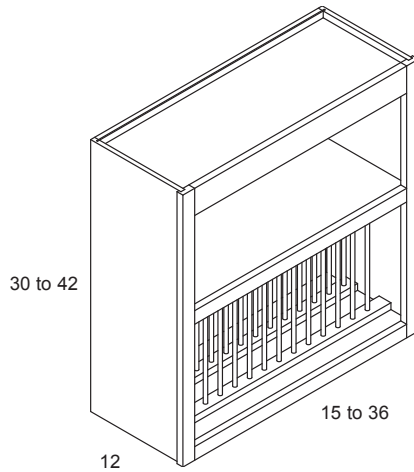


- Finished interior standard.
- Shelves are $\frac{3}{4}$ " thick veneer plywood or MDF.
- Number after the (-) indicates the number of spice drawers.
- Spice drawers require hardware.
- 1 shelf in 30", 33" high cabinets.
2 shelves in 36" - 42" high cabinets.
- Upgrade options for top rail: (see page 59)
3" roman arch top rail.
3" fluted top rail.
3" top rail.
- All spice drawers have a drawer front.
Miter styles - Drawers include slab front, specify profile.
- Beaded back panel upgrade option available.
- Plywood or MDF construction only.
- $1\frac{1}{2}$ " solid wood cap shelves available.

PRO	CROWN
All Crown	WSD1530-2
sizes	WSD1830-3
available.	WSD2130-3
(see Crown	WSD2430-4
pricing)	WSD2730-4
	WSD3030-4
	WSD3330-5
	WSD3630-5
	WSD1533-2
	WSD1833-3
	WSD2133-3
	WSD2433-4
	WSD2733-4
	WSD3033-4
	WSD3333-5
	WSD3633-5
	WSD1536-2
	WSD1836-3
	WSD2136-3
	WSD2436-4
	WSD2736-4
	WSD3036-4
	WSD3336-5
	WSD3636-5
	WSD1539-2
	WSD1839-3
	WSD2139-3
	WSD2439-4
	WSD2739-4
	WSD3039-4
	WSD3339-5
	WSD3639-5
	WSD1542-2
	WSD1842-3
	WSD2142-3
	WSD2442-4
	WSD2742-4
	WSD3042-4
	WSD3342-5
	WSD3642-5

Wall Open Shelf Cabinets with Plate Rack

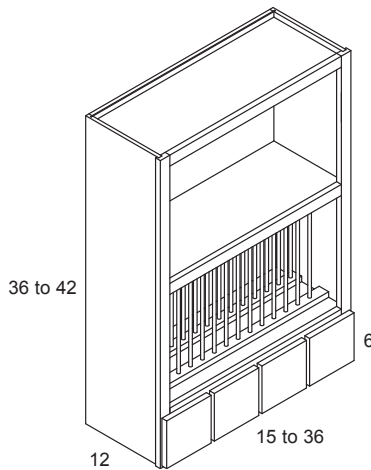
Shown here with 3" top rail option.



- Finished Interior standard
- 1 shelf in 39", 42" high cabinets.
- Plywood or MDF Construction.
- 1½" solid wood cap shelves available.
- Upgrade options for top rail: (see page 59)
 - 3" roman arch top rail.
 - 3" fluted top rail.
 - 3" top rail.
- Opening height for plates: 13½".
- The number after the - indicates the number of plates held.
- Beaded back panel upgrade option available.

PRO	CROWN
All Crown sizes available. (see Crown pricing)	WPR1530-7
	WPR1830-9
	WPR2130-10
	WPR2430-11
	WPR2730-12
	WPR3030-13
	WPR3330-14
	WPR3630-16
	WPR1533-7
	WPR1833-9
	WPR2133-10
	WPR2433-11
	WPR2733-12
	WPR3033-13
	WPR3333-14
	WPR3633-16
	WPR1536-7
	WPR1836-9
	WPR2136-10
	WPR2436-11
	WPR2736-12
	WPR3036-13
	WPR3336-14
	WPR3636-16
	WPR1539-7
	WPR1839-9
	WPR2139-10
	WPR2439-11
	WPR2739-12
	WPR3039-13
	WPR3339-14
	WPR3639-16
	WPR1542-7
	WPR1842-9
	WPR2142-10
	WPR2442-11
	WPR2742-12
	WPR3042-13
	WPR3342-14
	WPR3642-16

Wall Open Shelf Cabinets with Plate Rack and Spice Drawers

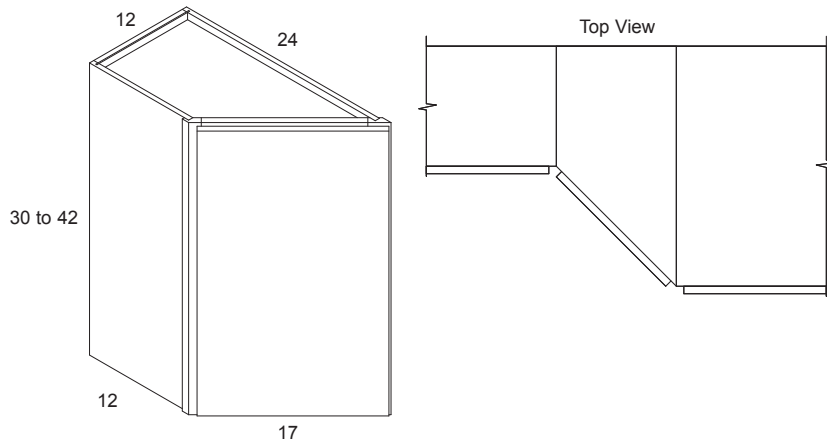


- Finished Interior standard
- 1 shelf in 42" high cabinets.
- Plywood or MDF Construction.
- 1½" solid wood cap shelves available.
- Upgrade options for top rail: (see page 59)
 - 3" roman arch top rail.
 - 3" fluted top rail.
 - 3" top rail.
- Opening height for plates: 13½".
- The number after the - indicates the number of plates held.
- Beaded back panel upgrade option available.

<u>PRO</u>	<u>CROWN</u>
All Crown sizes available. (see Crown pricing)	WPRSD1536-2
	WPRSD1836-3
	WPRSD2136-3
	WPRSD2436-4
	WPRSD2736-4
	WPRSD3036-4
	WPRSD3336-5
	WPRSD3636-5
	WPRSD1539-2
	WPRSD1839-3
	WPRSD2139-3
	WPRSD2439-4
	WPRSD2739-4
	WPRSD3039-4
	WPRSD3339-5
	WPRSD3639-5
	WPRSD1542-2
	WPRSD1842-3
	WPRSD2142-3
	WPRSD2442-4
WPRSD2742-4	
WPRSD3042-4	
WPRSD3342-5	
WPRSD3642-5	

Wall Transition Cabinets

PRO	CROWN
N/A	WTC1230
	WTC1233
	WTC1236
	WTC1239
	WTC1242

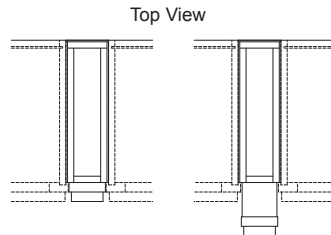
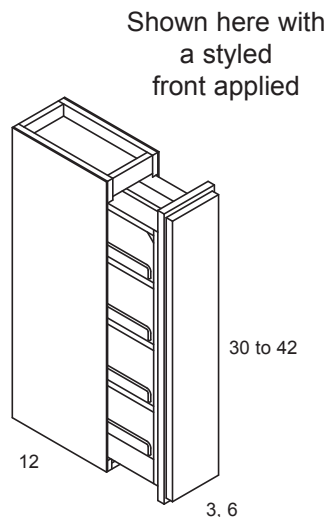


- 30" to 36" have 2 shelves.
- 39", 42" have 3 shelves.
- $\frac{3}{4}$ " side reveal for door swing clearance.
- This cabinet is used to transition from a 24" depth application to 12" depth application.
- The use of fillers may be necessary when this cabinet is adjoining an appliance such as a microwave rangehood.
- Specify (L) or (R) hinged.
- Picture to the left is of a left application, specify left or right application (LA) or (RA). The nomenclature for cabinet shown would be: WTC1230 LA - L.

Price Book Page Crown - 28

Wall Pull Out Spice Cabinets

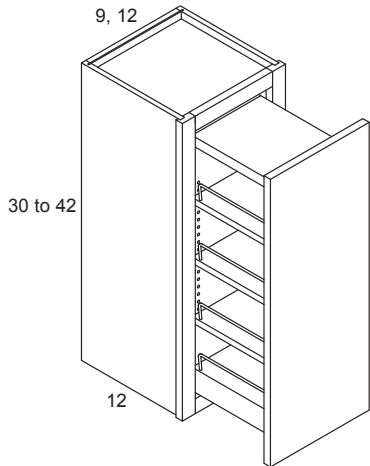
PRO	CROWN	PRO	CROWN
N/A	WPOS0330	N/A	WPOS0633SF
	WPOS0333		WPOS0636SF
	WPOS0336		WPOS0639SF
	WPOS0339		WPOS0642SF
	WPOS0342		WPOS0330FF
	WPOS0630		WPOS0333FF
	WPOS0633		WPOS0336FF
	WPOS0636		WPOS0339FF
	WPOS0639		WPOS0342FF
	WPOS0642		WPOS0630FF
	WPOS0330SF		WPOS0633FF
	WPOS0333SF		WPOS0636FF
	WPOS0336SF		WPOS0639FF
	WPOS0339SF		WPOS0642FF
	WPOS0342SF		
	WPOS0630SF		



- **Must be installed between cabinets to hide the front edge of the hardboard sides.**
- Frameless Construction.
- 1/8" hard board sides.
- Full extension.
- 12" deep without decorative front.
- Decorative styled fronts, or fluted fronts available. Specify with SF or FF if desired.
- 30"- 33" - 3 shelves, 36"- 39" - 4 shelves, 42" - 5 shelves.
- Shelves adjustable.
- If crown molding is used you may need to trim the top of the filler.
- No modifications available.
- Soft Close

Price Book Page Crown - 28

Wall Pull Out Cabinets

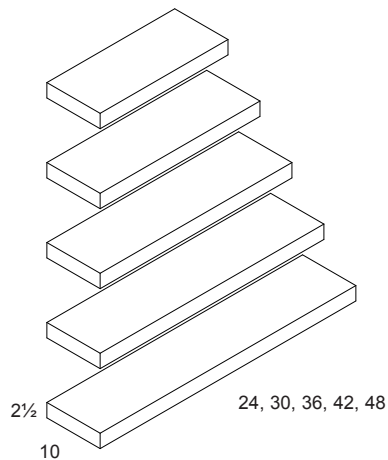


PRO	CROWN
N/A	WP00930
	WP00933
	WP00936
	WP00939
	WP00942
	WP01230
	WP01233
	WP01236
	WP01239
	WP01242

- Three adjustable shelves.
- 12" deep, full extension.
- Soft Close

Price Book Page Crown - 29

Wall Floating Shelves



PRO	CROWN
N/A	WFS24
	WFS30
	WFS36
	WFS42
	WFS48

- Custom shelf sizes available, inquire for pricing and availability.
- Shelves are constructed out of 3/8" veneer plywood or MDF top and bottom. 3/4" solid wood sides and front.
- Shelves come with a mounting bracket.
- Open back to fit over bracket.
- Be sure to install bracket to studs in the wall, and fasten shelf to bracket.
- Only available in clear wood types. If you order wall floating shelves to go in a knotty walnut application they will be clear walnut and you must call for a custom price quote.

Price Book Page Crown - 59

General Specifications

PRO LINE

- **Availability** - Over 200 sizes. This is a limited line, see specifications under each individual cabinet and pricing for availability.
- **Center Stiles** - All double door base cabinets come standard with a center stile.
- **Depth** - Base cabinets are 24" deep from the back of the cabinet to the front of the face frame.
- **Doors** - 9" to 24" wide cabinets come with one door, 27" and wider cabinets come with 2 doors.
- **Doors Cut for Glass** - option available.
- **Drawer box** - 1/2" laminated particle board, natural maple print. Butt jointed and stapled. 3/8" thick bottom.
- **Drawer Hardware** - Epoxy coated side mount hardware. 75 pound rating. 3/4 extension.
- **Drawer Upgrade** - Two upgrade options:
 - **Crown Drawer** - 1/2" dovetail UV coated baltic birch plywood drawer box, 1/4" stapled plywood drawer bottom, 3/4 extension.
 - **Baltic Upgrade** - 5/8" dovetail UV coated baltic birch plywood drawer box, 1/4" captive bottom, full extension, under mount, soft close.
- **End Panels** - All Pro line cabinetry requires end panels.
- **Face Frame & Door** - Face frame and door only (FF&D) may be ordered. 80% of cabinet cost.
- **Height** - Pro line standard base cabinets are 34 1/2" high.
- **Hinging** - Please specify left or right hinged. Cabinetry will be hinged right if not specified. Concealed hinges, 6 way adjustable.
- **Interiors** - Pro line base cabinets are finished with a natural maple melamine laminate.
- **Loose Mullions** - On all double door base cabinets in the Pro Line, a loose mullion maybe attached to the back of the left door.
- **Nomenclature** - Base cabinet nomenclature is type, width, depth, height, i.e. B30 = Base cabinet 30" wide X standard depth and height.
- **Optional Back** - On vanities or sink base cabinets.
- **Pro Vanities** - Constructed with 3/8" particle board material, finished inside. Require end panels and toe kick covers.
- **Shelving** - All Pro line base cabinetry comes with full depth adjustable 1/2" shelf.
- **Wood Types** - Knotty Alder.

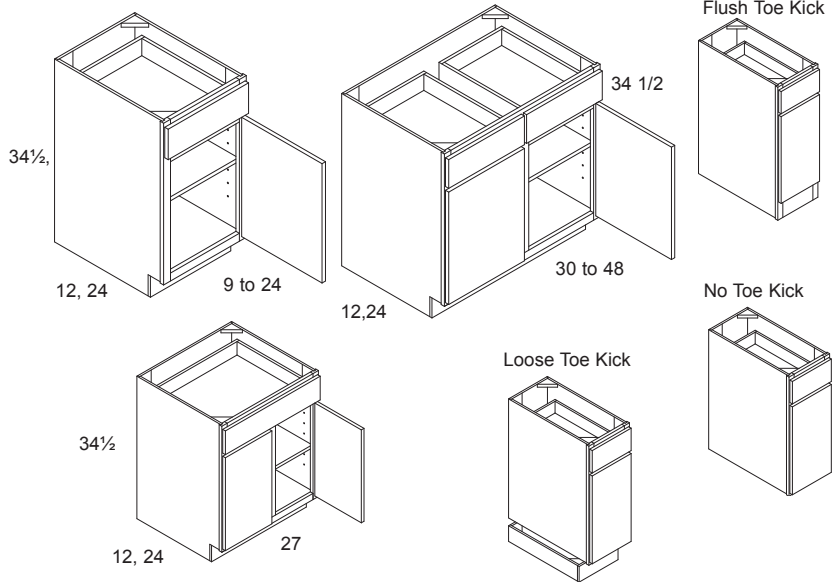
General Specifications

CROWN LINE

- **5 Piece Drawer Fronts** - Standard on miter door styles except Enzo which is a slab. 5 pc upgrade available on shaker door styles.
- **Arched Door Styles** - Wall cabinets are arched, base cabinets are square except vanities and top doors of tall cabinets. Base cabinets may be arched for an upcharge.
- **Availability** - Over 1500 sizes.
- **Beaded Back Panel Option** - Available on finished interior cabinets.
- **Butt Doors** - Will come with a single drawer up to 36" wide. 39"- 48" will have center stile, 27" - 36" no center stile, no upcharge.
- **Cabinets without Doors** - Base cabinets may be ordered without doors.
- **Center Stiles** - All crown double door base cabinets come standard with a center stile, except 24"-36" when butt doors are ordered.
- **Crown Vanities** - Constructed with 1/2" particle board standard or 1/2" plywood upgrade. All exterior sides are unfinished and require end panels if exposed.
- **Depth** - Base cabinets are 24" deep from the back of the cabinet to the front of the face frame.
- **Depth Decrease** - Base cabinets may be decreased in depth. Available depth: 24, 21, 18, 15, 12.
- **Depth Increase** - Base cabinets without drawers may be increased to 27".
- **Doors** - 9" to 24" wide cabinets come with one door, 27" and wider cabinets come with 2 doors.
- **Doors Cut For Glass** - When ordering cut for glass, specify (CFG) after the regular cabinet description.
- **Double Door with Mullion on 24" Wide Base Cabinet** - Available.
- **Double Entry** - DE - available.
- **Drawer Box** - Constructed with 1/2" solid UV coated baltic birch plywood with dovetail joints.
- **Drawer Hardware** - Epoxy coated side mount hardware. 75 pound rating. 3/4 extension.
- **Baltic Upgrade** - Includes 5/8" thick baltic birch plywood dovetail drawer box fully finished, captive bottom, undermount, full extension, softclose hardware.
- **Drawer Upgrade Plus** - Includes 5/8" thick alder dovetail drawer box fully finished, captive bottom, undermount, deluxe full extension, softclose hardware.
- **End Panels** - All Crown base cabinetry requires end panels.
- **Extended Styles** - 1/8" increments up to 2".
- **Face Frame & Door** - Face frame and door only (FF&D).
- **Factory Applied End Panels** - Available.
- **Finished Interiors** - Specify finished interior (FI) following the cabinets regular description. Wall plate rack cabinets, open shelf cabinets, and bookcase cabinets are standard with finished interiors and do not need the FI code specified. Species Specific.
- **Flush Toe Kick** - Available. Increases bottom rail to 5 1/2".
- **Height** - Crown line standard base cabinets are 34 1/2" high. 40 1/2" high cabinets available. 32 1/2" high available for ADA units.
- **Hinging** - On all single door base cabinets specify (L) or (R) hinged. Cabinets will come hinged right if not specified. All door styles have concealed 6-way adjustable hinges, with a lifetime warranty. Soft Close.
- **Interiors** - Crown line base particle board and plywood cabinets are finished with a natural maple melamine laminate.
- **Lattice Doors** - For lattice on applicable styles specify (LD). See LD options in parts and accessories. Available in the Ridgeline, Shaker, Pioneer, Millcreek, Clearcreek, Cascade Vintage, Imperial door styles only. Lattice inserts available on all door styles except arched doors, see pg. 23.
- **Loose Mullions** - On all double door base cabinets in the Crown line, an optional loose mullion may be attached to the back of the left door.
- **Loose Toe Kick** - Available.
- **No Toe Kick** - Available.
- **Nomenclature** - Base cabinet nomenclature is type, width, depth, height i.e. B30 = base cabinet 30" wide X standard depth and height.
- **Optional Back** - Available for vanities.
- **Shelving** - All base cabinets come with a full depth adjustable 3/4" shelf.
- **Wood Types** - Alder, Cherry, Hickory, Maple, White Oak, Knotty Alder, Knotty Cherry, Knotty Hickoy, Knotty Maple, Knotty Walnut.

Base Cabinet Specifications

Base Cabinets



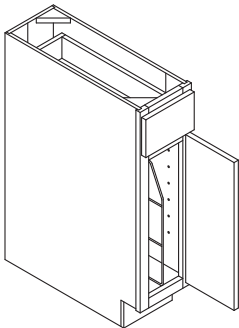
In Crown the B30, B33, B36 may be ordered with a single drawer. Specify SD. No upcharge.

PRO	CROWN
B09	B09
B12	B12
B15	B15
B18	B18
B21	B21
B24	B24
B27	B27
B30	B30
B33	B33
B36	B36
B39	B39
B42	B42
B45	B45
B48	B48

- Full depth adjustable shelf.
- Flush Toe Kick, Loose Toe Kick optional.
- Toe kick height 4".
- Base cabinet 27" wide has single drawer.
- Drawer upgrade options available.
- 12" deep base cabinets, specify depth i.e. B4512.
- No toe kick option available.
- Depth decrease available in 3" increments.

Price Book Page | Pro - 5 | Crown - 29

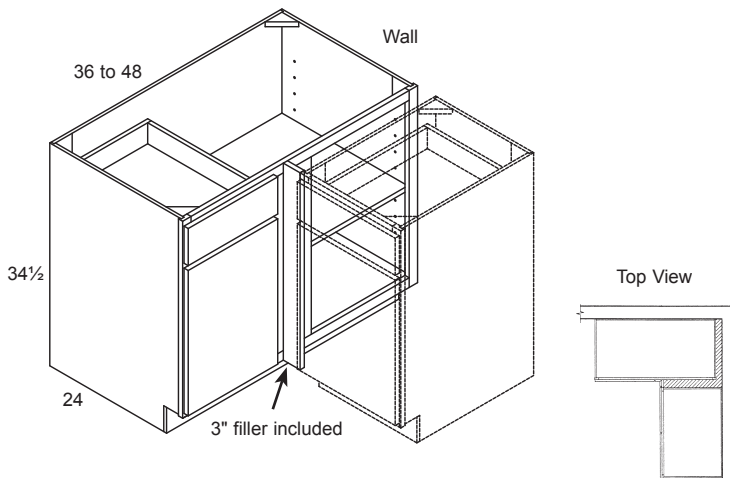
Tray Divider Option



- White steel dividers.
- Depth decrease not available.
- Specify quantity
- See accessories page 119.

Price Book Page | Crown - 59

Corner Base Adjustable Cabinets

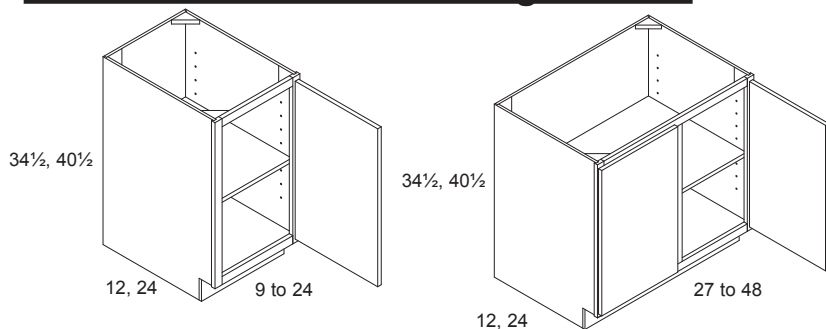


PRO	CROWN	OPENING WIDTH
CB3639	CB3639	7-1/2"
CB3942	CB3942	10-1/2"
CB4245	CB4245	13-1/2"
CB4548	CB4548	16-1/2"
CB4851	CB4851	19-1/2"

- Specify blind right or blind left.
- Optional insert in accessories page 116, 117.
- Adjustable up to 3" from the wall.
- 3" filler included.
- Filler loose.

Price Book Page | Pro - 5 | Crown - 30

Base Cabinets with Full Height Doors



- Full depth adjustable shelf.
- Flush Toe Kick, Loose Toe Kick optional.
- On 12" deep and 40 1/2" high cabinet specify height and depth (i.e. B4512X40 1/2 FH).

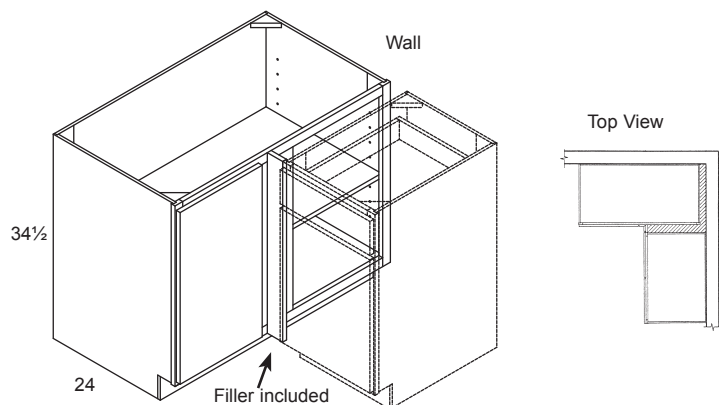
PRO	CROWN
-----	-------

B09FH	B09FH
B12FH	B12FH
B15FH	B15FH
B18FH	B18FH
B21FH	B21FH
B24FH	B24FH
B27FH	B27FH
B30FH	B30FH
B33FH	B33FH
B36FH	B36FH
	B39FH
	B42FH
	B45FH
	B48FH

- One adjustable shelf.
- Pull out tray kits available.

Price Book Page | Pro - 5 | Crown - 30

Corner Base Adjustable Cabinets with Full Height Door



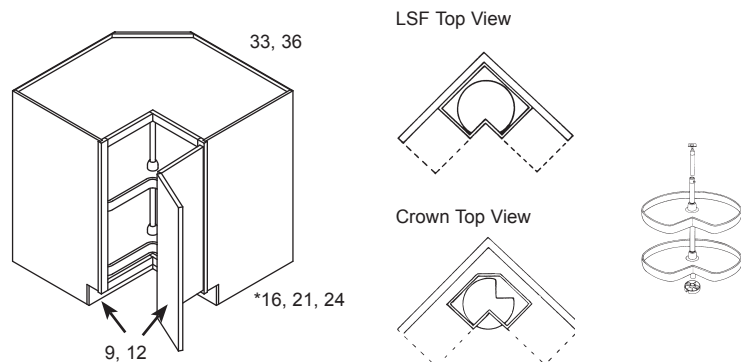
PRO	CROWN	OPENING WIDTH
-----	-------	---------------

N/A	CB3639FH	7-1/2"
	CB3942FH	10-1/2"
	CB4245FH	13-1/2"
	CB4548FH	16-1/2"
	CB4851FH	19-1/2"

- Adjustable up to 3" from the wall.
- 3" filler included.
- Specify blind left or blind right.
- Filler loose.

Price Book Page | Crown - 31

Lazy Susan Base Corner Cabinets 90°



Tray diameters:

	Pro	Crown
LS33	28"	28"
LS36	*24"/28"	28"
LSF36	N/A	32"

* Revolving door, proline only - 24"

PRO	CROWN
-----	-------

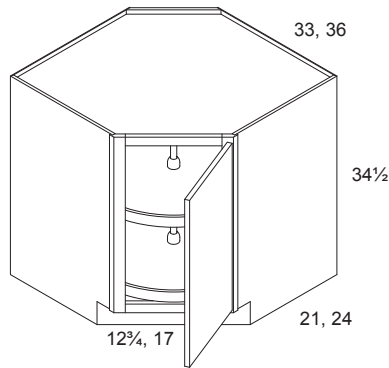
LS33-90	LS33-90
LS36-90	LS36-90
*LS36	LSF36-90 LTK
	LSS33-90
	LSS36-90
	LSSF36-90 LTK

- * Pro 16" deep with 8" dead space, Crown is 21" deep with 3" dead space.
- Door opens 170°.
- Super Susan upgrade option available. Includes fixed shelf with (SS) trays.
- Undermount bearings on Super Susan shelves, no center pole.
- Lifetime warranty on the Lazy Susan tray hardware.
- Trays are adjustable vertically on non revolving door unit.
- LSF36-90 cabinet is 24" deep, 32" tray, loose toe kick.
- For replacement or upgrade options, see accessories page 119.
- Trays upgradeable to wood. See pg 125.

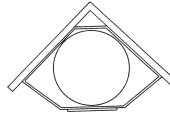
Price Book Page | Pro - 6 | Crown - 31

Base Cabinet Specifications

Lazy Susan Base Corner Cabinets 45°



LSF Top View



Pro/Crown has a 3" dead space behind cabinet.

Crown Tray Diameter

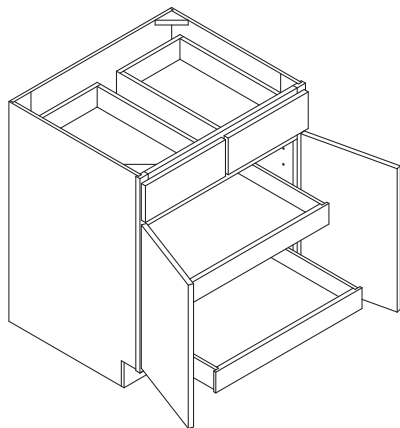
LS33-45	28"
LS36-45	28"
LSF36-45	32"

<u>PRO</u>	<u>CROWN</u>
LS33-45	LS33-45
LS36-45	LS36-45
	LSF36-45 LTK
	LSS33-45
	LSS36-45
	LSSF36-45 LTK

- Pro and Crown 21" deep, LSF36-45 is the 24" deep version in Crown.
- Includes 2 full round plastic trays.
- Super Susan (SS) upgrade option available. Includes a shelf with trays.
- Trays upgradable to wood, see pg 125.
- Undermount bearings on Super Susan shelves, no center pole.

Price Book Page | Pro - 6 | Crown - 31

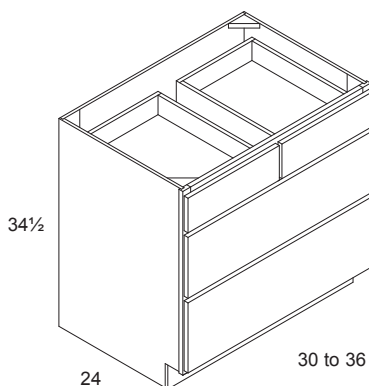
Pull Out Tray Option



- Crown full extension upgrade option available.
- Specify Quantity
- Side mount hardware used on standard Pull Out Trays.
- Crown POT's fixed. Upgraded POT's adjustable.
- Depth increase not available, depth decrease available in 3" increments.
- See accessories page 117.
- If one POT is ordered, cabinet will include an adjustable shelf.
- Loose Mullion doors standard on double door cabinets. Butt Door option available.

Price Book Page | Crown - 58

Base Drawer Pot and Pan Cabinets

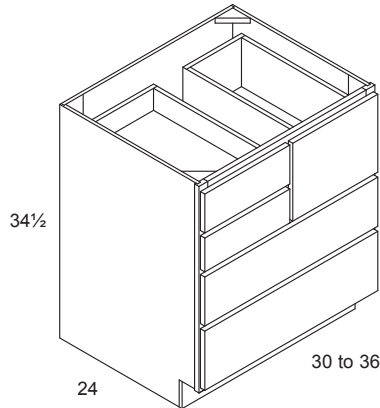


<u>PRO</u>	<u>CROWN</u>
BD30	BD30
BD33	BD33
BD36	BD36

- Two small drawers on top and two large drawers for pots and pans below.
- Works well with shallow electric cooktops.
- Depth modifications available: 12", 15", 18", 21".
- False front option available for cooktop.
- Drawer upgrade options available.

Price Book Page | Pro - 6 | Crown - 31

Combination 5 Drawer Base Cabinets

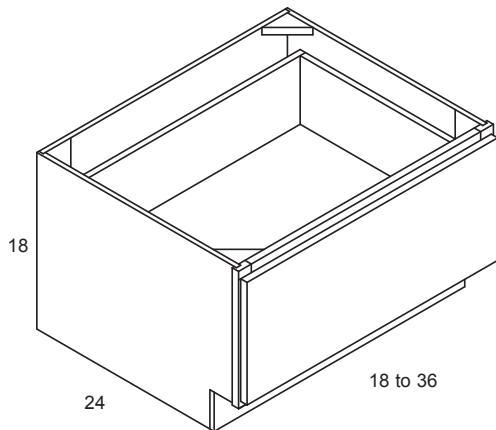


<u>PRO</u>	<u>CROWN</u>
N/A	CDBD30 CDBD33 CDBD36

- Five drawers.
- Works well with shallow electric cooktops.
- Depth modifications available: 12", 15", 18", 21".
- Specify larger top drawer right or left.
- Drawer upgrade options available.

Price Book Page Crown - 31

1 Drawer Cabinets

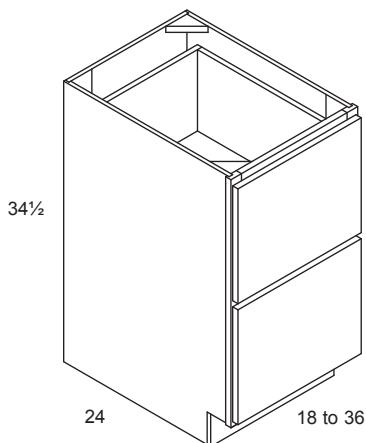


<u>PRO</u>	<u>CROWN</u>
N/A	1D18 1D21 1D24 1D27 1D30 1D33 1D36

- Crown drawer box is 7" tall.
- May be used for bench seat.
- May be used as a stand for dishwasher drawer.
- Drawer upgrade options available.
- Comes standard with a 5 piece drawer front.

Price Book Page Crown - 31

2 Drawer Cabinets



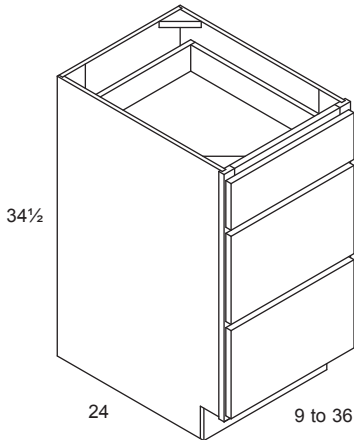
<u>PRO</u>	<u>CROWN</u>
N/A	2D18 2D21 2D24 2D27 2D30 2D33 2D36

- Drawer boxes are 10" tall.
- Come standard with Baltic Upgrade.
- Comes standard with 5 piece drawer fronts.
- Drawer Upgrade Plus option available.

Price Book Page Crown - 31

Base Cabinet Specifications

3 Drawer Cabinets

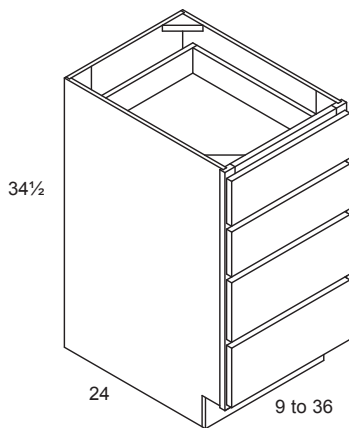


PRO	CROWN
3D12	3D09
3D15	3D12
3D18	3D15
3D21	3D18
3D24	3D21
	3D24
	3D27
	3D30
	3D33
	3D36

- Depth modifications available: 12", 15", 18", 21".
- Drawer upgrade options available.
- Top drawer opening 5" high, middle 10 1/8" high, lower 9 3/8" high.

Price Book Page Pro - 6 Crown - 32

4 Drawer Cabinets

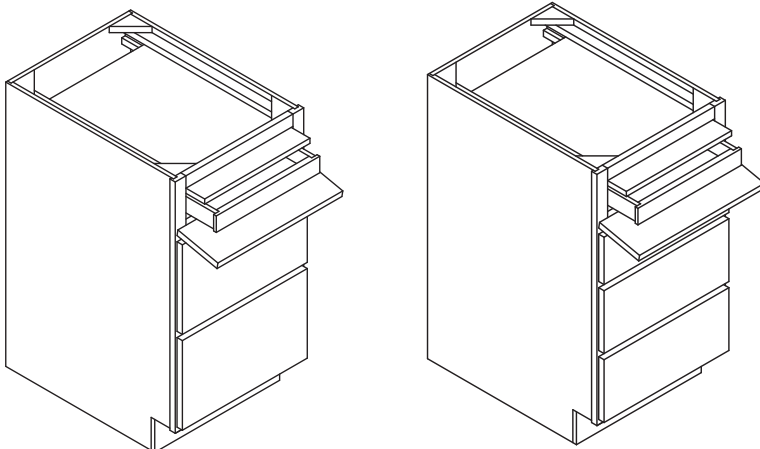


PRO	CROWN
4D12	4D09
4D15	4D12
4D18	4D15
4D21	4D18
4D24	4D21
	4D24
	4D27
	4D30
	4D33
	4D36

- Depth modifications available: 12", 15", 18", 21".
- Drawer upgrade options available.
- Top two drawer openings 5" high, third drawer 6 7/8" bottom drawer 6 1/8".

Price Book Page Pro - 6 Crown - 32

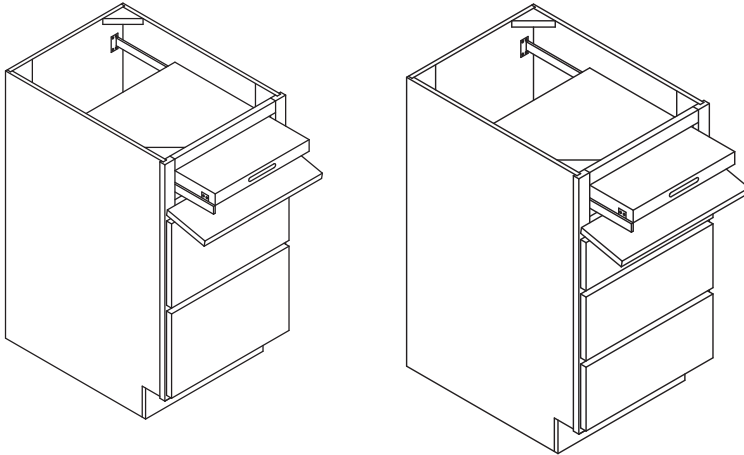
Breadboard and Cutlery Tray Option



- Flip down front.
- Alder breadboard 5/8" thick, reversible.
- Knife drawer included.
- Drawer upgrade options available.
- See accessories page 114.

Price Book Page Crown - 57

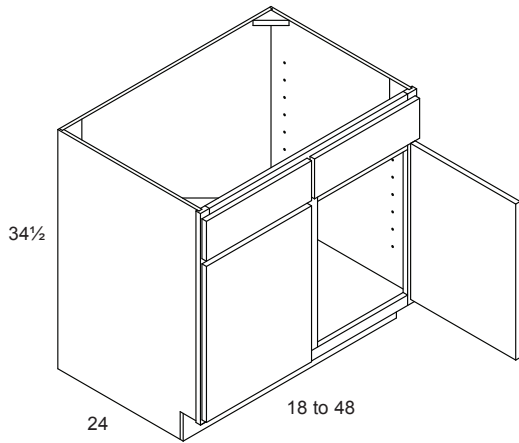
Deluxe Maple Cutting Block Option



- Flip down drawer front.
- 1½" thick solid maple cutting block.
- Cutting block removable from cabinet.
- Drawer upgrade options available.
- See accessories page 114.

Price Book Page Crown - 57

Sink or Range Base Cabinets



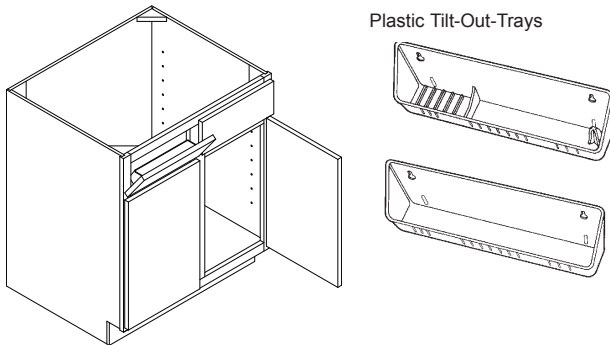
<u>PRO</u>	<u>CROWN</u>
SB18	SB18
SB21	SB21
SB24	SB24
SB27	SB27
SB30	SB30
SB33	SB33
SB36	SB36
SB39	SB39
SB42	SB42
SB45	SB45
SB48	SB48

- Single door & front on 18, 21, 24 wide cabinets.
- Optional back available in Pro.
- Tilt out tray option see page 124.

<u>Cabinet width</u>	<u>Doors</u>	<u>Fronts</u>
18", 21" & 24"	1	1
27"	2	1
30" & wider	2	2

Base Cabinet Specifications

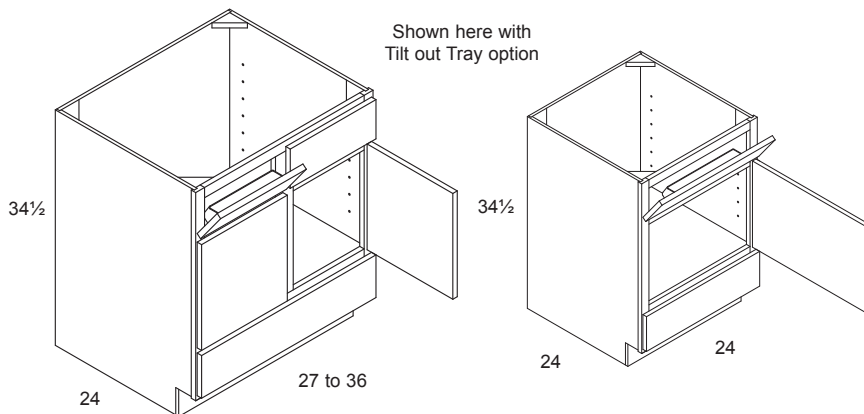
Tilt-Out-Trays Option



- Two plastic tilt-out-trays mount on the back of the tilt-out-drawer fronts.
- See accessories page 124.

Price Book Page Crown - 60

Sink or Range Base Cabinets with Tilt-Out-Tray and Bottom Drawer

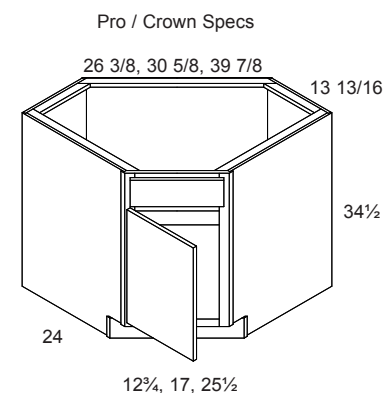


PRO	CROWN
N/A	SBD24
	SBD27
	SBD30
	SBD33
	SBD36

- Any Butt door cabinet has two doors and one front.
- Floor above drawer.
- Plumbing and electrical access must come from the wall and not the floor.
- Bottom drawer clearance on the depth: 3".
- Floor height: 11¾".
- SBD27TOT has single front top and bottom.
- Full Height Door option available. Specify - for example: SBD36FH.

Price Book Page Crown - 31

Corner Sink Base Cabinets

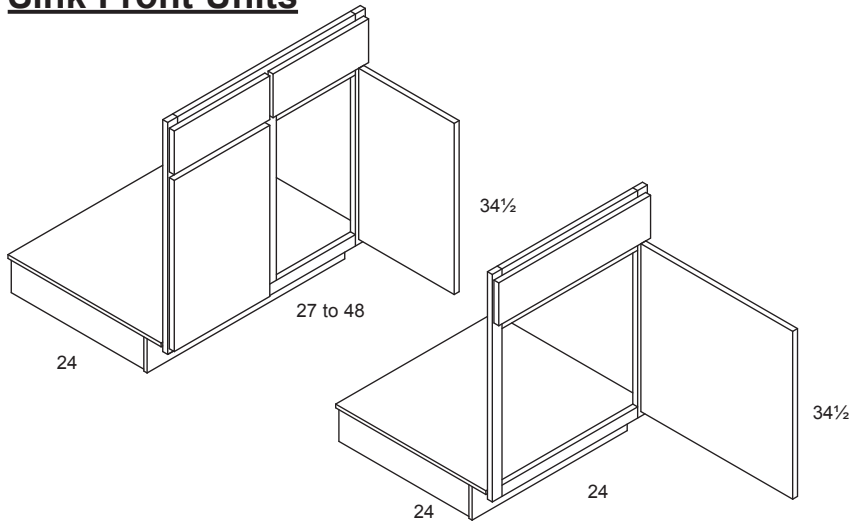


PRO	CROWN
CSB36	CSB33
CSB42	CSB36
	CSB42

- Tilt-Out-Tray available. Add as an attachment.
- CSB36 will fit a 25" sink.
- CSB42 will fit a 33" sink.
- CSB42 comes with butt doors.
- ¾" side reveal for door swing clearance.

Price Book Page Pro - 6 Crown - 32

Sink Front Units

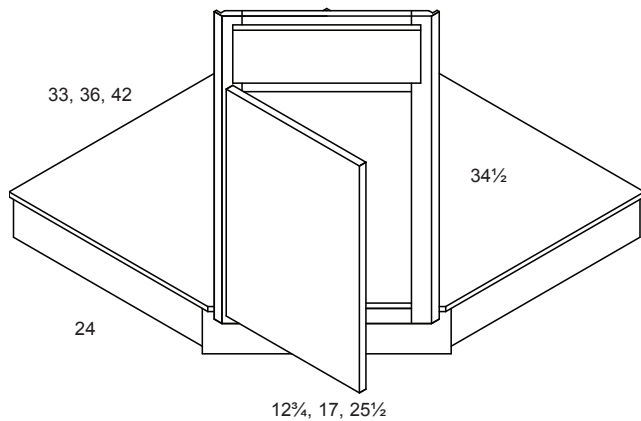


PRO	CROWN
SF24	SF24
SF27	SF27
SF30	SF30
SF33	SF33
SF36	SF36
	SF39
	SF42
	SF45
	SF48

- Floor assembly included, but not attached to frame.
- TOTK's only available as a loose accessory.
- 27" wide - 1 front, 2 doors.

Price Book Page | Pro - 6 | Crown - 32

Corner Sink Front Units

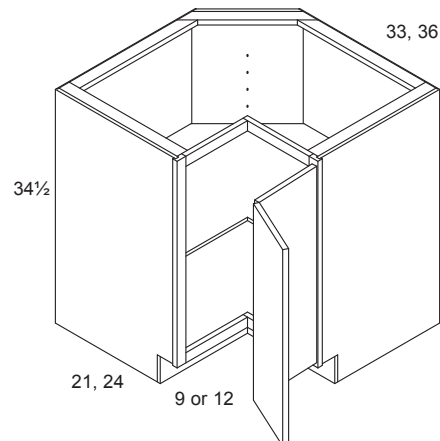


PRO	CROWN
CSF33	CSF33
CSF36	CSF36
CSF42	CSF42

- Floor assembly included, but not attached to face frame.
- CSF42 has butt doors.
- TOTK's only available as a loose accessory.
- 3/4" side reveal for door swing clearance.

Price Book Page | Pro - 7 | Crown - 33

Base Corner Cabinet 90°



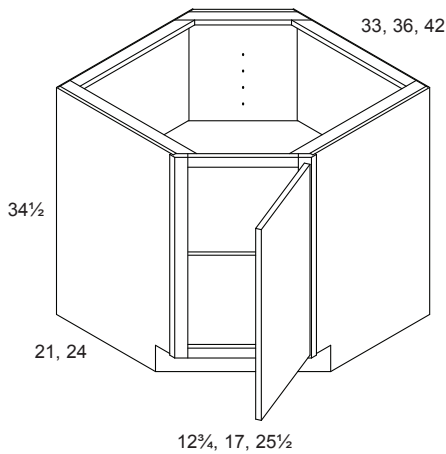
PRO	CROWN
N/A	BC33-90
	BC36-90
	BCF36-90 LTK

- Cabinet has a 3" dead space and is 21" deep, but requires 33" or 36" of space.
- Door opens full 170°.
- Fixed shelf.
- BCF36-90 LTK is 24" deep and comes with a loose toe kick.

Price Book Page | Crown - 33

Base Cabinet Specifications

Base Corner Cabinet 45°

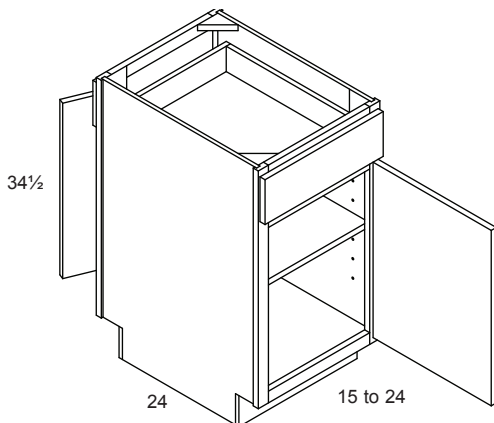


PRO	CROWN
N/A	BC33-45
	BC36-45
	BCF36-45 LTK

- Fixed shelf.
- Cabinet has a 3" dead space and is 21" deep, but requires 33" or 36".
- 3/4" side reveal for door swing clearance.
- BCF36-45 LTK is 24" deep and comes with a loose toe kick.

Price Book Page | Crown - 33

Base Double Entry Cabinets with Single Door

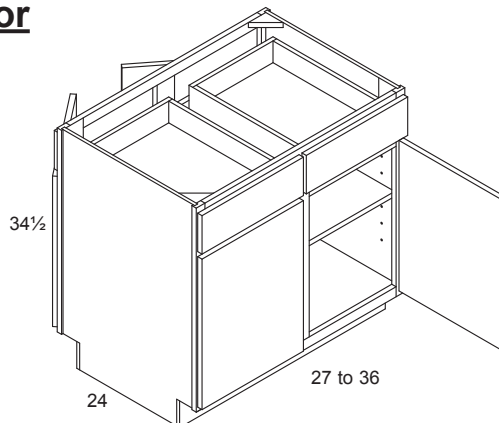


PRO	CROWN
N/A	B15DE
	B18DE
	B21DE
	B24DE

- Toe Kick on both entry sides of cabinet.
- If you desire one side to be a flush toe kick (FTK) add the FTK upcharge. Add FTK to item description and specify front or back of cabinet. Loose toe kick (LTK) also available, specify.
- Drawer will only work in one direction. Back side has a false front.

Price Book Page | Crown - 33

Base Double Entry Cabinets with Double Door



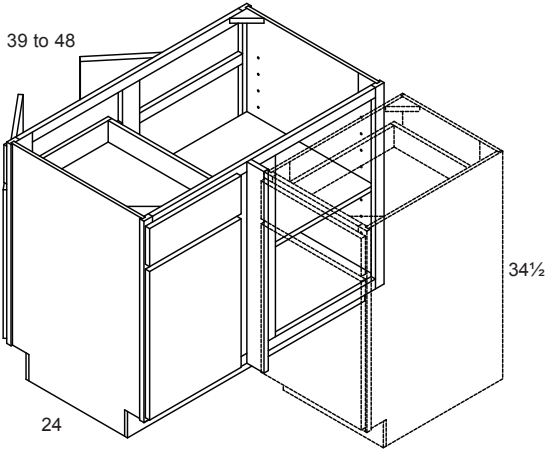
PRO	CROWN
N/A	B27DE
	B30DE
	B33DE
	B36DE

- Toe Kick on both entry sides of cabinet.
- If you desire one side to be a flush toe kick add the FTK upcharge. Add FTK to item description and specify front or back of cabinet. Loose toe kick (LTK) also available, specify.
- Drawer will only work in one direction. Back side has a false front.
- B27DE has one drawer.

Price Book Page | Crown - 33

Corner Base Adjustable Cabinets with Double Entry

PRO	CROWN
N/A	CB3942DE
	CB4245DE
	CB4548DE
	CB4851DE

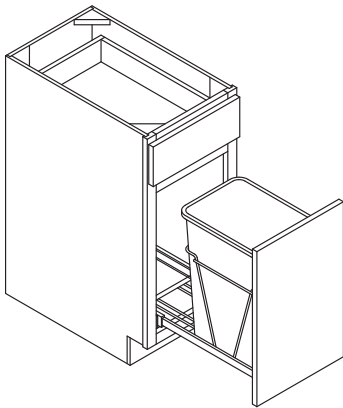


- Toe Kick on both sides of cabinet.
- If you desire one side to be a flush toe kick add the FTK upcharge. Add (FTK) to item description and specify front or back of cabinet. Loose toe kick (LTK) also available, specify.
- Drawer will only work in one direction. Back side has a false front.
- Cabinets may be pulled 3" from the wall, a filler is required.
- Loose filler included.

Price Book Page | Crown - 33

Optional Waste Inserts

- Many inserts may be added, see accessories for options. (see page 119-122)
- Door mount kit standard.

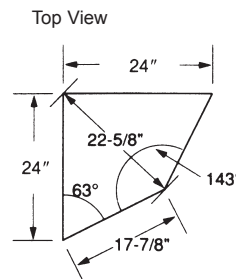
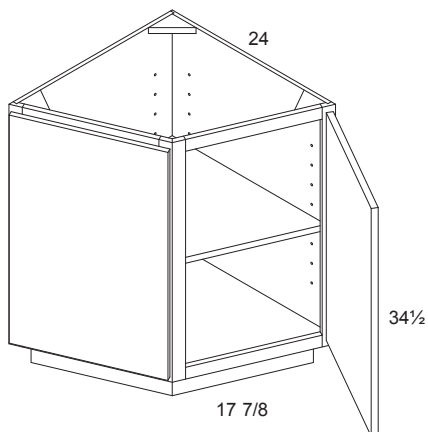


Price Book Page | Crown - 60

Base End Corner Cabinets

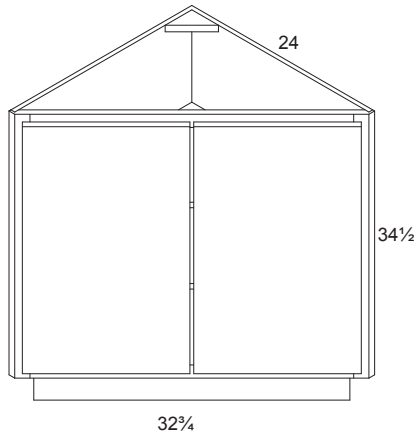
PRO	CROWN
N/A	BEC24

- Full height doors only.



Price Book Page | Crown - 33

Base End Angle Cabinets

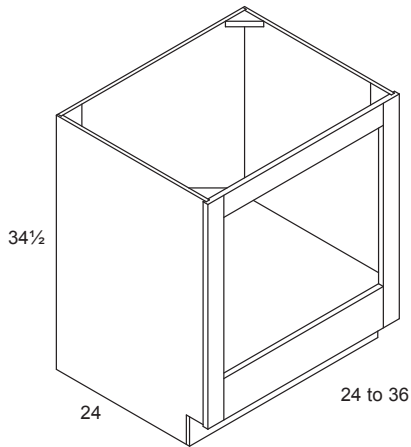


PRO	CROWN
N/A	BEA24

- Full height doors only.
- Finished interior available.
- 1 shelf.
- Butt doors.

Price Book Page Crown - 33

Base Oven Cabinets

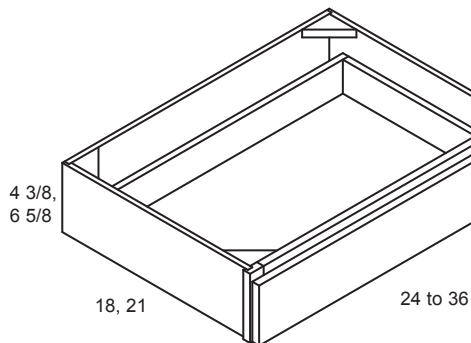


PRO	CROWN
All Crown sizes available. (see Crown pricing)	BOC24 BOC27 BOC30 BOC33 BOC36

- Pro / Crown Opening Dimensions:
24" wide - 19" W x 21 15/16" H
27" wide - 22" W x 21 15/16" H
30" wide - 25" W x 21 15/16" H
33" wide - 28" W x 21 15/16" H
- Cabinet size should be 3" wider than oven size.
- 5 9/16" of vertical trim
- Crown custom cut out available. Specify appliance make and model.

Price Book Page Pro - See Crown Crown - 33

Desk / Pencil Drawer Units

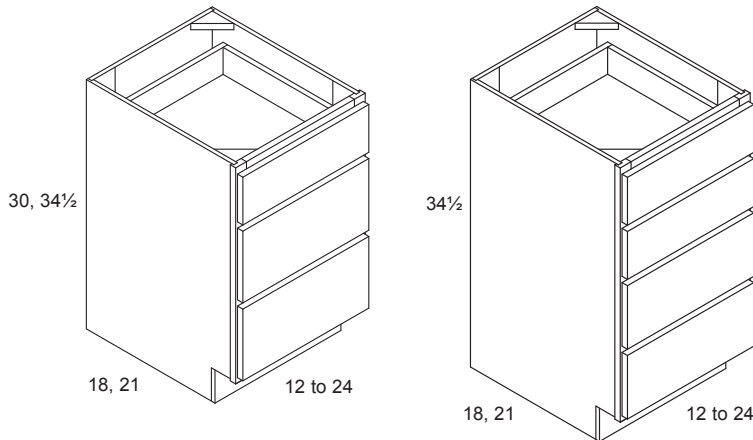


PRO	CROWN
DD2421	DD2421
DD2721	DD2721
DD3021	DD3021
DD3321	DD3321
DD3621	DD3621
PD2421	PD2421
PD2721	PD2721
PD3021	PD3021
PD3321	PD3321
PD3621	PD3621

- PD's 4 3/8" high.
- All PD's come with slab fronts.
- DD's 6 5/8" high.

Price Book Page Pro - 10 Crown - 33

Vanity / Desk Drawer Base Cabinets

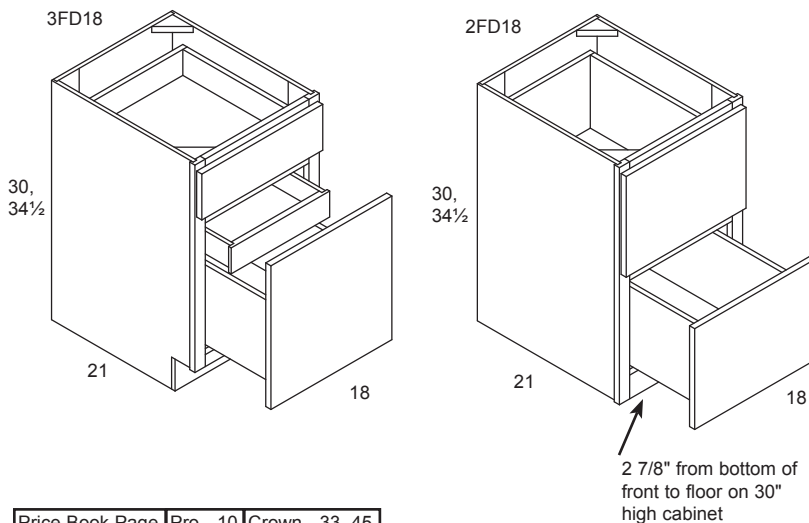


PRO	CROWN
VDB1221-3	VDB1221-3
VDB1821-3	VDB1521-3
VDB2421-3	VDB1821-3
	VDB2121-3
	VDB2421-3
	VDB1221X34.5-3
	VDB1521X34.5-3
	VDB1821X34.5-3
	VDB2121X34.5-3
	VDB2421X34.5-3

- In the Crown Line four drawer option available on 34 1/2" high. Speciy -4 after regular nomenclature.

Price Book Page | Pro - 10 | Crown - 33, 45

File Drawer Cabinets

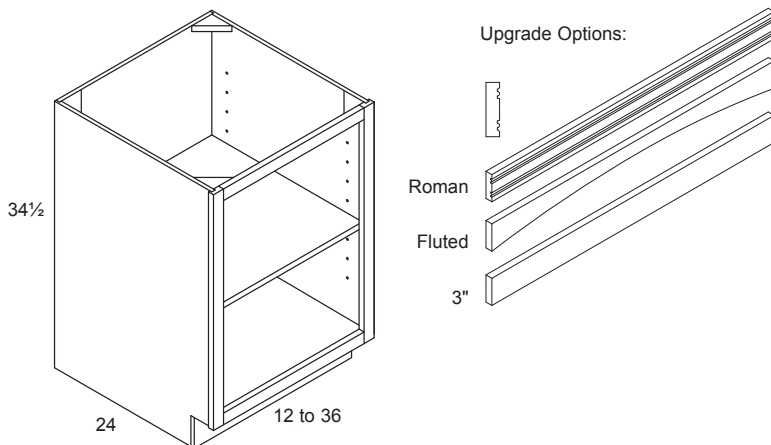


PRO	CROWN
3FD1821	3FD1821
2FD1821	2FD1821
	3FD1821X34.5
	2FD1821X34.5

- Engineered to hold standard pendaflex files.
- 3FD - top working drawer, middle concealed drawer, bottom file drawer with a door front (5 piece), with the exception of Pro Line which will be a slab front.
- 2FD - two file drawers. Flush toe kick.
- File drawers are full extension, 100 lb. capacity.
- File drawers come with rail kit for pendaflex files, standard or legal size.
- 2FD1821X34 1/2 has a standard 4" toe kick.
- Drawer upgrade available on top two drawers of 3FD. Not available on bottom drawer or on 2FD's.
- Door fronts on 2FD's in Crown, Proline are slabs.

Price Book Page | Pro - 10 | Crown - 33, 45

Base Open Shelf Cabinets

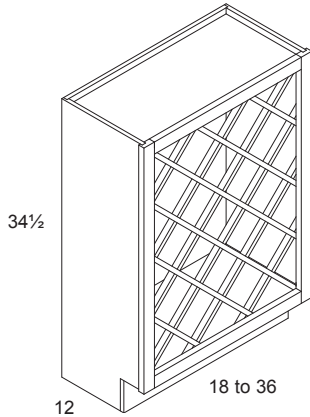


PRO	CROWN
All Crown Sizes available. (see Crown pricing)	BOS12
	BOS15
	BOS18
	BOS21
	BOS24
	BOS27
	BOS30
	BOS33
	BOS36

- Includes finished interior, 3/4" thick shelf.
- Upgrade options for top rail:
3" roman arch top rail.
3" fluted top rail.
3" top rail.
- 1 1/2" solid wood cap shelves available.

Price Book Page | Pro - See Crown | Crown - 36

Base Wine Rack Cabinets



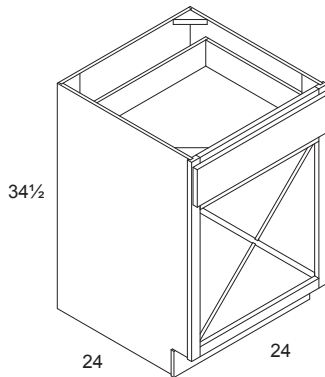
PRO	CROWN
-----	-------

All Crown sizes available. (see Crown pricing)	BWR18 BWR21 BWR24 BWR27 BWR30 BWR33 BWR36
--	---

- Includes Finished Interior.
- Grill made with solid hardwood.
- 12" deep.

Price Book Page | Pro - See Crown | Crown - 34

Base Criss-Cross Wine Rack



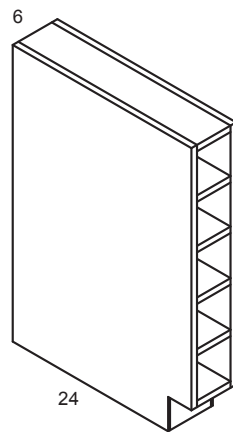
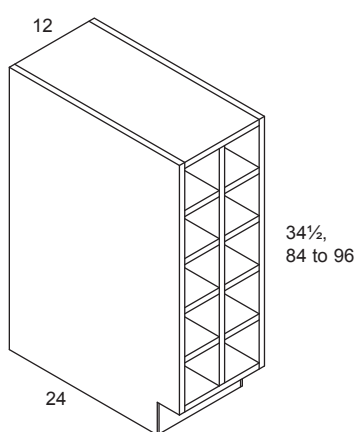
PRO	CROWN
-----	-------

N/A	BCCWR24
-----	---------

- Includes Finished Interior.
- 3/4" plywood or MDF shelving.
- Depth modification available.

Price Book Page | Crown - 34

Base Wine Rack Frameless Cabinets



PRO	CROWN
-----	-------

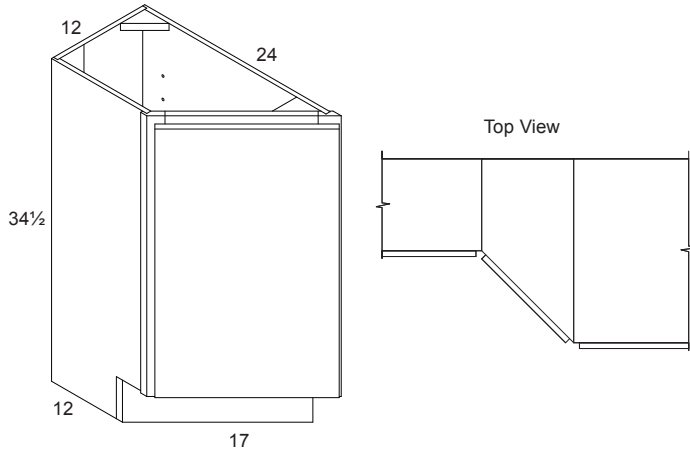
All Crown sizes available. (see Crown pricing)	BWRF06 BWRF12 BWRF0684 BWRF0687 BWRF0690 BWRF0693 BWRF0696 BWRF1284 BWRF1287 BWRF1290 BWRF1293 BWRF1296
--	--

- Framless construction.
- Finished interiors and exteriors.
- No width or height modifications.

		Number of slots					
		High					
		34 1/2	84	87	90	93	96
Wide	6	5	14	14	15	15	16
	12	10	28	28	30	30	32

Price Book Page | Pro - See Crown | Crown - 34

Base Transition Cabinets

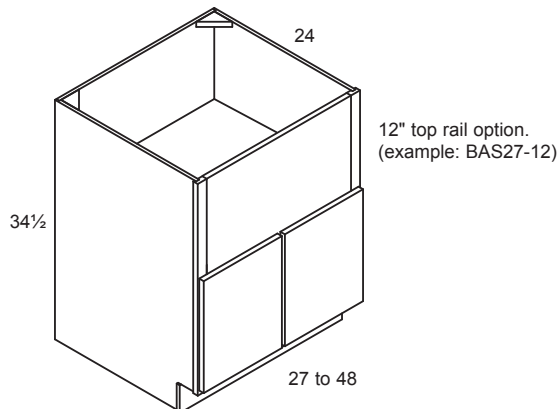
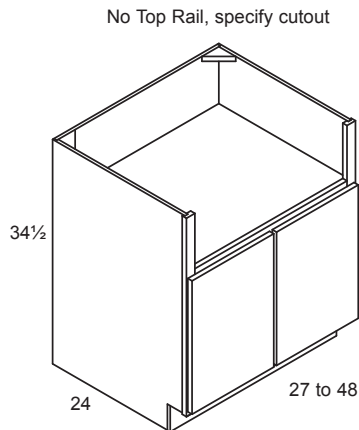


PRO	CROWN
N/A	BTC12LA BTC12RA

- Specify left or right hinged.
- Picture to the left is of a left application, specify left or right application (LA) or (RA). The nomenclature for cabinet shown would be: BTC12 LA - L
- 3/4" side reveal for door swing clearance.

Price Book Page | Crown - 34

Base Apron Sink Cabinets w/Doors



PRO	CROWN
N/A	BAS27 BAS30 BAS33 BAS36 BAS39 BAS42 BAS45 BAS48 BAS27-12 BAS30-12 BAS33-12 BAS36-12 BAS39-12 BAS42-12 BAS45-12 BAS48-12

- Cabinet needs to be 3" wider than sink.
- For use with apron sinks or cooktops.
- Custom cutout available, specify. No upcharge on this cabinet.
- Choose the size with the "-12" for a 12" top rail if you don't know the cutout. This will need to be modified onsite.
- Either way you order this cabinet the price is the same.

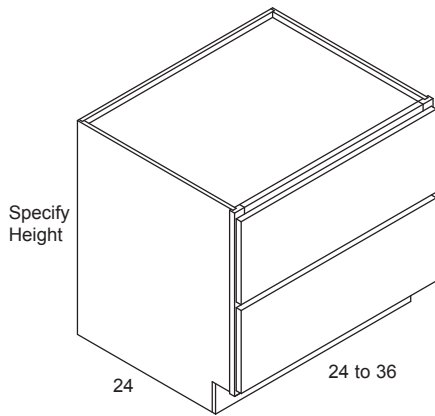
Price Book Page | Crown - 34

Base Cabinet Specifications



Base Apron Cooktop Cabinets w/Drawers

PRO	CROWN
N/A	BACTD24
	BACTD27
	BACTD30
	BACTD33
	BACTD36

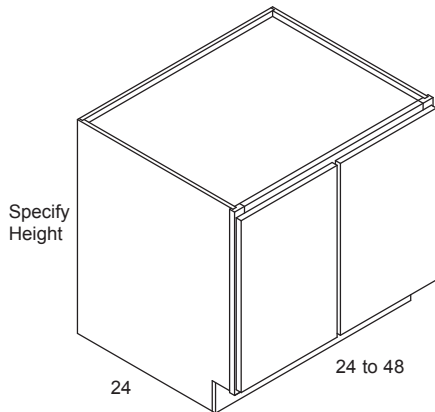


- For use with apron cooktops.
- Specify height.
- Comes with a flush top.
- Depending on height, may only come with one drawer.

Price Book Page Crown - 34

Base Apron Cooktop Cabinets

PRO	CROWN
N/A	BACT24
	BACT27
	BACT30
	BACT33
	BACT36
	BACT39
	BACT42
	BACT45
	BACT48

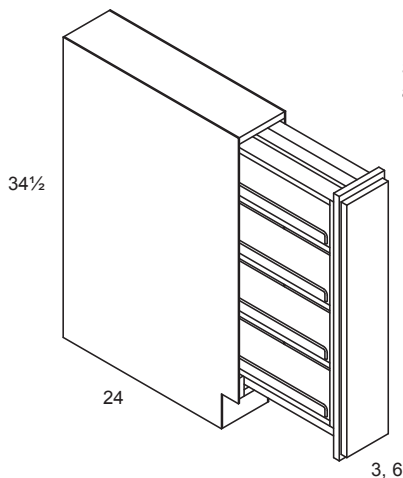


- For use with apron cooktops.
- Specify height.
- Comes with a flush top.

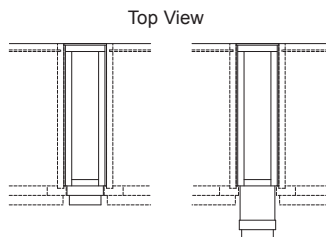
Price Book Page Crown - 35

Base Pull Out Spice Cabinets

PRO	CROWN
All Crown sizes available. (see Crown pricing)	BPOS03
	BPOS06
	BPOS03SF
	BPOS06SF
	BPOS03FF
	BPOS06FF



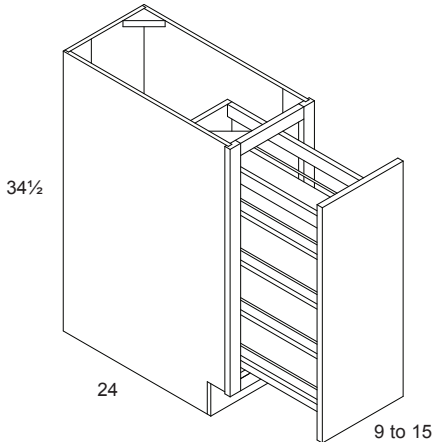
Shown here with a styled front.



- **Must be installed between cabinets to hide the front edges of the sides.**
- 24" deep without decorative front.
- Decorative styled or fluted fronts available. Specify SF or FF if desired.
- No faceframe.
- 1/8" hardboard sides.
- Full extension.
- Three adjustable shelves.
- No modifications available.
- Soft Close

Price Book Page Pro - See Crown Crown - 35

Base Pull Out Cabinets

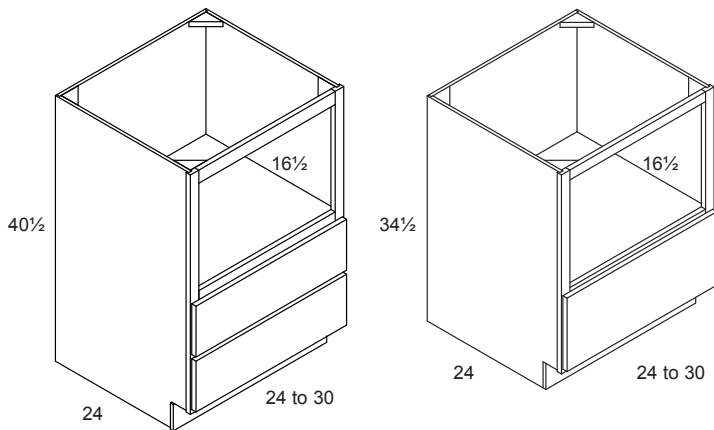


<u>PRO</u>	<u>CROWN</u>
N/A	BPO09 BPO12 BPO15

- Comes with full height door attached.
- Full extension.
- Three adjustable shelves.
- No modifications available.
- Soft Close

Price Book Page | Crown - 35

Base Microwave Cabinets

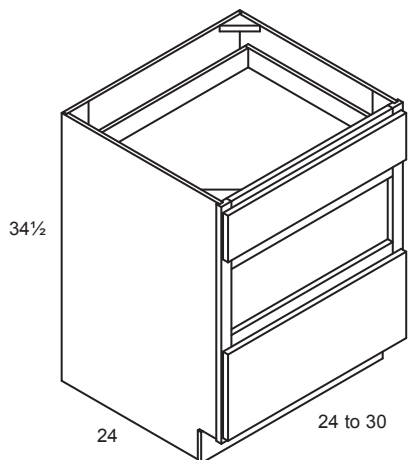


<u>PRO</u>	<u>CROWN</u>
N/A	BMW24 BMW27 BMW30 BMW2440.5 BMW2740.5 BMW3040.5

- 34 1/2" high has one drawer.
- 40 1/2" high has two drawers.
- Opening dimensions - Width = 3" less than the cabinet width, Height = 16 1/2".
- Finished interior available.
- Custom cutout available. Specify make and model.
- On custom cut outs, width of opening cannot exceed cabinet width minus 3".

Price Book Page | Crown - 35

Base Warming Drawer Cabinets



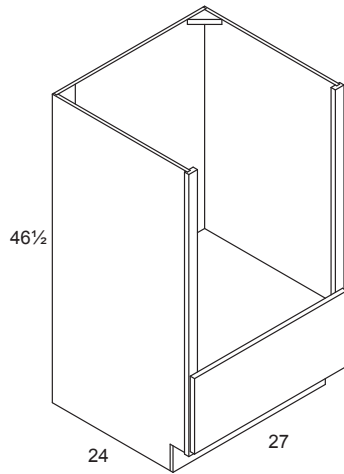
<u>PRO</u>	<u>CROWN</u>
N/A	BWD24 BWD27 BWD30

- Specify cutout. Specify make and model. No upcharge for cutout.
- Top drawer height is consistent with a standard base top drawer, and bottom drawer varies based on cutout dimensions.
- On custom cut outs, width of opening cannot exceed cabinet width minus 3".

Price Book Page | Crown - 35

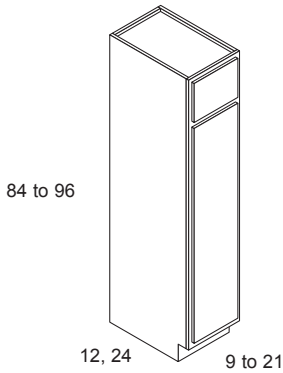
Base Raised Dishwasher Cabinet

<u>PRO</u>	<u>CROWN</u>
N/A	BRDW2746.5



- Plywood construction.
- 6" dead space behind drawer to allow for plumbing.
- Opening dimension - 24"W x 34 ½"H.
- Drawer front extends up to cover dishwasher toekick.

Utility/Pantry Cabinets Single Door

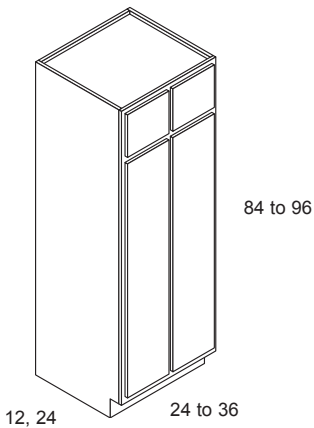


- Utility "U" cabinets come without shelves in the lower section. Pull out trays option available, specify quantity.
- 4 shelves included in pantry "P" cabinet in the lower section.
- Upper compartment opening height:
 - 84" high - 15"
 - 87" high - 18"
 - 90" high - 21" includes 1 shelf in the upper section.
 - 93" high - 24" includes 1 shelf in the upper section.
 - 96" high - 27" includes 1 shelf in the upper section.
- 90", 93" and 96" high cabinets come with a loose toe kick, unless factory applied ends are ordered.
- Specify 12" or 24" depth in Crown i.e. U1812X84.
- Heavy duty Wood Utility Pull Out accessories available 9", 12", 15", 18" wide. (See accessories pg 123)

PRO/CROWN	PRO/CROWN
P1824X84	U1824X84
P2124X84	U2124X84
P1824X87	U1824X87
P2124X87	U2124X87
P1824X90	CROWN
P2124X90	U0924X84
P1824X93	U1224X84
P2124X93	U1524X84
P1824X96	U0924X87
P2124X96	U1224X87
CROWN	U1524X87
P0924X90	U0924X90
P1224X90	U1224X90
P1524X90	U1524X90
P1824X90	U1824X90
P2124X90	U2124X90
P0924X93	U0924X93
P1224X93	U1224X93
P1524X93	U1524X93
P1824X93	U1824X93
P2124X93	U2124X93
P0924X96	U0924X96
P1224X96	U1224X96
P1524X96	U1524X96
P1824X96	U1824X96
P2124X96	U2124X96

Price Book Page | Pro - 7 | Crown - 35-38

Utility/Pantry Cabinets Double Door

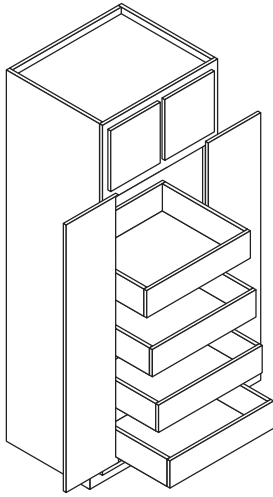


- Utility "U" cabinets come without shelves in the lower section. Pull out trays option available, specify quantity.
- 4 shelves included in pantry "P" cabinet in the lower section.
- 90", 93" and 96" high cabinets have a top shelf and a loose toe kick, unless factory applied ends are ordered.
- Specify 12" or 24" depth, i.e. U2412X84.
- In the Pro/Crown lines, 24" wide cabinets come with butt doors.

PRO/CROWN	PRO/CROWN
P2424X84	U2424X84
P2724X84	U2724X84
P3024X84	U3024X84
P3324X84	U3324X84
P3624X84	U3624X84
P2424X87	U2424X87
P2724X87	U2724X87
P3024X87	U3024X87
P3324X87	U3324X87
P3624X87	U3624X87
P2424X90	U2424X90
P2724X90	U2724X90
P3024X90	U3024X90
P3324X90	U3324X90
P3624X90	U3624X90
P2424X93	U2424X93
P2724X93	U2724X93
P3024X93	U3024X93
P3324X93	U3324X93
P3624X93	U3624X93
P2424X96	U2424X96
P2724X96	U2724X96
P3024X96	U3024X96
P3324X96	U3324X96
P3624X96	U3624X96

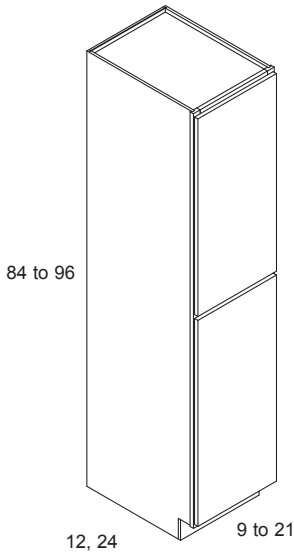
Price Book Page | Pro - 7 | Crown - 35-38

Optional Pull out Trays



- Side mount hardware standard.
- Pull out tray upgrade options available.
- See accessories page 117.
- Specify number of trays.
- Depth increase not available. Depth decrease in 3" increments.
- In crown butt doors standard when POT's are added.

Pantry Linen Cabinets Single Door

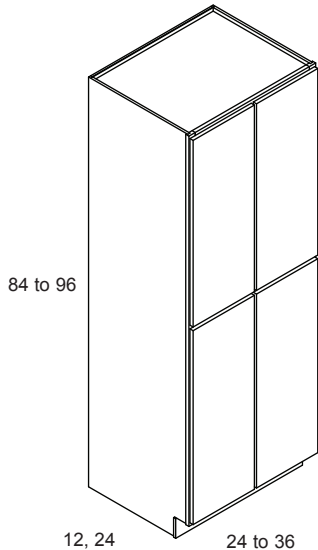


- Includes 4 adjustable shelves.
- 90", 93" and 96" have a loose toe kick, unless factory applied ends are ordered.
- Specify 12" or 24" depth. Other depth modifications available.
- Pull out tray kit available in the Crown line, see accessories page 117.

PRO	CROWN
PL1824X84	PL0924X84
PL1824X87	PL1224X84
PL1824X90	PL1524X84
PL1824X93	PL1824X84
PL1824X96	PL2124X84
PL2124X84	PL0924X87
PL2124X87	PL1224X87
PL2124X90	PL1524X87
PL2124X93	PL1824X87
PL2124X96	PL2124X87
	PL0924X90
	PL1224X90
	PL1524X90
	PL1824X90
	PL2124X90
	PL0924X93
	PL1224X93
	PL1524X93
	PL1824X93
	PL2124X93
	PL0924X96
	PL1224X96
	PL1524X96
	PL1824X96
	PL2124X96

Price Book Page Pro - 8 Crown - 39

Pantry Linen Cabinets Double Door

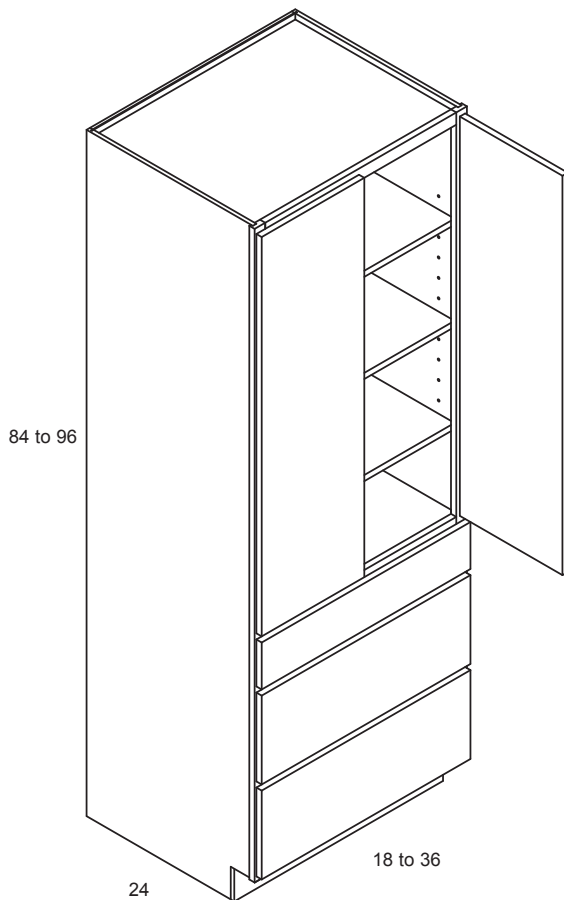


- Includes 4 adjustable shelves.
- 90", 93" and 96" have a loose toe kick, unless factory applied ends are ordered.
- Specify 12" or 24" depth. Other depth modifications available.
- 24" wide standard butt doors.
- Pull out tray kit available in the Crown line, see accessories page 117.
- In Crown butt doors standard when POT's are added.

PRO	CROWN
PL2424X84	PL2424X84
PL2724X84	PL2724X84
PL3024X84	PL3024X84
PL3324X84	PL3324X84
PL3624X84	PL3624X84
PL2424X87	PL2424X87
PL2724X87	PL2724X87
PL3024X87	PL3024X87
PL3324X87	PL3324X87
PL3624X87	PL3624X87
PL2424X90	PL2424X90
PL2724X90	PL2724X90
PL3024X90	PL3024X90
PL3324X90	PL3324X90
PL3624X90	PL3624X90
PL2424X93	PL2424X93
PL2724X93	PL2724X93
PL3024X93	PL3024X93
PL3324X93	PL3324X93
PL3624X93	PL3624X93
PL2424X96	PL2424X96
PL2724X96	PL2724X96
PL3024X96	PL3024X96
PL3324X96	PL3324X96
PL3624X96	PL3624X96

Price Book Page Pro - 8 Crown - 39

Pantry 3 Drawer Cabinets



PRO
N/A

CROWN

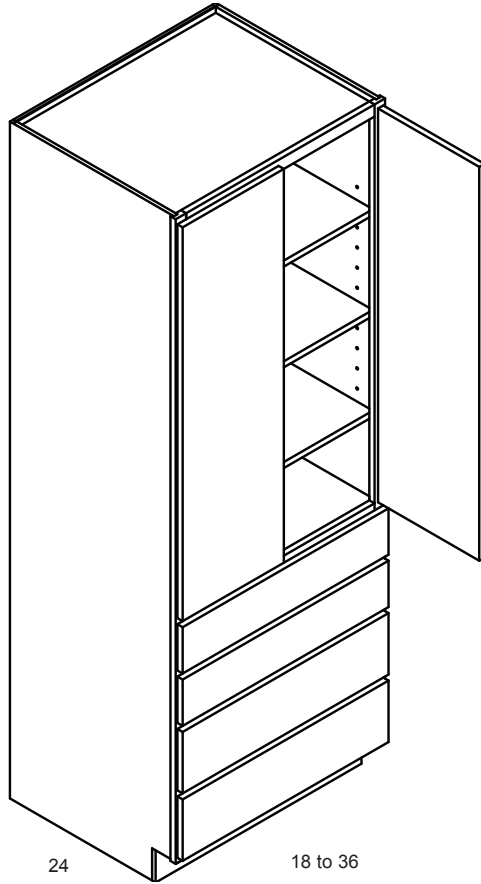
P3D1824X84
P3D2124X84
P3D2424X84
P3D2724X84
P3D3024X84
P3D3324X84
P3D3624X84
P3D1824X87
P3D2124X87
P3D2424X87
P3D2724X87
P3D3024X87
P3D3324X87
P3D3624X87
P3D1824X90
P3D2124X90
P3D2424X90
P3D2724X90
P3D3024X90
P3D3324X90
P3D3624X90
P3D1824X93
P3D2124X93
P3D2424X93
P3D2724X93
P3D3024X93
P3D3324X93
P3D3624X93
P3D1824X96
P3D2124X96
P3D2424X96
P3D2724X96
P3D3024X96
P3D3324X96
P3D3624X96

- Includes 3 adjustable shelves.
- 18" and 21" wide have one door.
- 90", 93" and 96" high cabinets have loose toe kick, unless factory applied ends are ordered.
- 24" - 36" wide standard butt doors.

Pantry 4 Drawer Cabinets

PRO
N/A

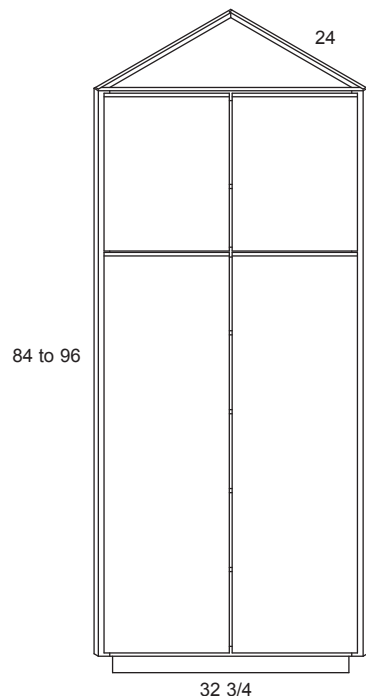
CROWN



- P4D1824X84
- P4D2124X84
- P4D2424X84
- P4D2724X84
- P4D3024X84
- P4D3324X84
- P4D3624X84
- P4D1824X87
- P4D2124X87
- P4D2424X87
- P4D2724X87
- P4D3024X87
- P4D3324X87
- P4D3624X87
- P4D1824X90
- P4D2124X90
- P4D2424X90
- P4D2724X90
- P4D3024X90
- P4D3324X90
- P4D3624X90
- P4D1824X93
- P4D2124X93
- P4D2424X93
- P4D2724X93
- P4D3024X93
- P4D3324X93
- P4D3624X93
- P4D1824X96
- P4D2124X96
- P4D2424X96
- P4D2724X96
- P4D3024X96
- P4D3324X96
- P4D3624X96

- Includes 3 adjustable shelves.
- 18" and 21" wide have one door.
- 90", 93" and 96" high cabinets have loose toe kick, unless factory applied ends are ordered.
- 24" - 36" wide standard butt doors.

Pantry End Angle Cabinets

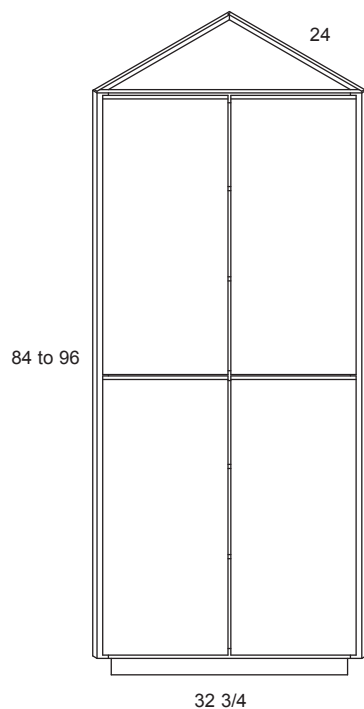


<u>PRO</u>	<u>CROWN</u>
N/A	PEA84
	PEA87
	PEA90
	PEA93
	PEA96

- Includes 4 adjustable shelves.
- 90", 93" and 96" have a loose toe kick.
- Upper compartment opening height:
84" high - 15"
87" high - 18"
90" high - 21"
93" high - 24"
96" high - 27"
- 90", 93" and 96" includes an adjustable shelf in top compartment.
- Butt doors standard.

Price Book Page Crown - 42

Pantry Linen End Angle Cabinets

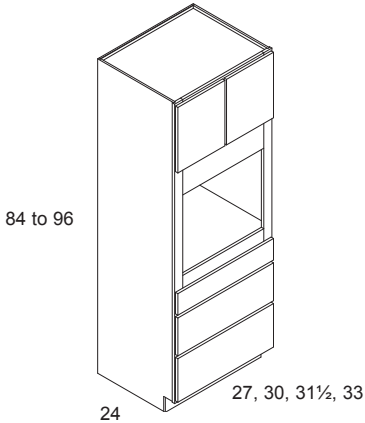


<u>PRO</u>	<u>CROWN</u>
N/A	PLEA84
	PLEA87
	PLEA90
	PLEA93
	PLEA96

- Includes 4 adjustable shelves.
- 90", 93" and 96" have a loose toe kick.
- Butt doors standard.

Price Book Page Crown - 42

Universal Oven Cabinets with Single Oven Opening

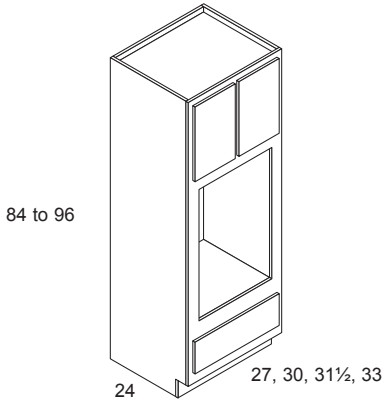


- **Pro / Crown Opening dimensions:**
 27" wide - 22" W x 21½" H
 30" wide - 25" W x 21½" H
 31½" wide - 28½" W x 21 ½" H
 33" wide - 28" W x 21½" H
- 10" of vertical trim.
- S - indicates single oven.
- 90", 93" and 96" high cabinets have 1 shelf and a loose toe kick, unless factory applied ends are ordered.
- 31½" wide has 1½" styles.
- Cabinet size should be 1 ½" - 3" wider than oven size.
- On custom cut outs, width of opening cannot exceed cabinet width minus 3".
- Custom cutouts available in the Crown line. Specify make and model.
- No floor included on standard cut out, only on custom cutouts.

PRO	CROWN
UOC2784S	UOC2784S
UOC3084S	UOC3084S
UOC3384S	UOC31.584S
UOC2787S	UOC3384S
UOC3087S	UOC2787S
UOC3387S	UOC3087S
UOC2790S	UOC31.587S
UOC3090S	UOC3387S
UOC3390S	UOC2790S
UOC2793S	UOC3090S
UOC3093S	UOC31.590S
UOC3393S	UOC3390S
UOC2796S	UOC2793S
UOC3096S	UOC3093S
UOC3396S	UOC31.593S
	UOC3393S
	UOC2796S
	UOC3096S
	UOC31.596S
	UOC3396S

Price Book Page Pro - 9 Crown - 42

Universal Oven Cabinets with Double Oven Opening



- **Pro / Crown Opening dimensions:**
 27" wide - 22" W x 37 7/8" H
 30" wide - 25" W x 37 7/8" H
 31½" wide - 28½" W x 37 7/8" H
 33" wide - 28" W x 37 7/8" H
- Cabinet size should be 1 ½" - 3" wider than oven size.
- Trimmable up to 3" in width and 15" in height.
- D - indicates double oven.
- 90" to 96" high cabinets have 1 shelf and a loose toe kick, unless factory applied ends are ordered.
- Custom cutouts available in the Crown line. Specify make and model.
- On custom cut outs, width of opening cannot exceed cabinet width minus 3".
- No floor included on standard cut out, only on custom cutouts.

PRO	CROWN
UOC2784D	UOC2784D
UOC3084D	UOC3084D
UOC3384D	UOC31.584D
UOC2787D	UOC3384D
UOC3087D	UOC2787D
UOC3387D	UOC3087D
UOC2790D	UOC31.587D
UOC3090D	UOC3387D
UOC3390D	UOC2790D
UOC3093D	UOC31.590D
UOC3393D	UOC3390D
UOC2796D	UOC2793D
UOC3096D	UOC3093D
UOC3396D	UOC31.593D
	UOC3393D
	UOC2796D
	UOC3096D
	UOC31.596D
	UOC3396D

Price Book Page Pro - 9 Crown - 42

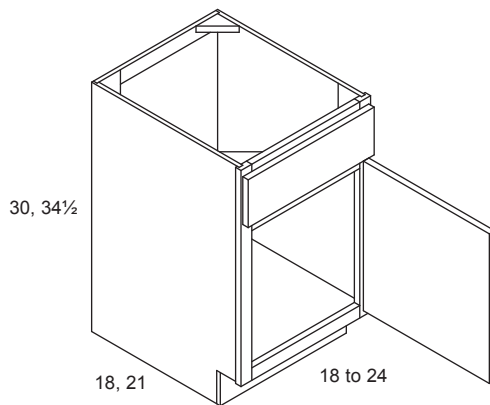
Vanity Cabinet Specifications



Vanity Base Sink Cabinets with Single Door

<u>PRO</u>	<u>CROWN</u>
VBS1821	VBS1821
VBS2121	VBS2121
VBS2421	VBS2421

- Available in 30 and 34½ high.
- Crown ½" plywood upgrade available.

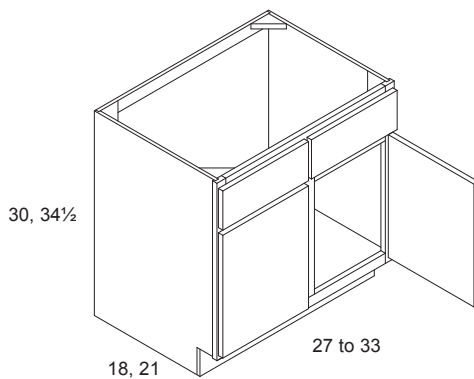


Price Book Page | Pro - 9 | Crown - 44

Vanity Base Sink Cabinets with Double Door

<u>PRO</u>	<u>CROWN</u>
VBS2721	VBS2721
VBS3021	VBS3021
VBS3321	VBS3321

- Available in 30 and 34½ high.
- 27" wide cabinet has a single front.
- Butt door option - available.
- Crown ½" plywood upgrade available.

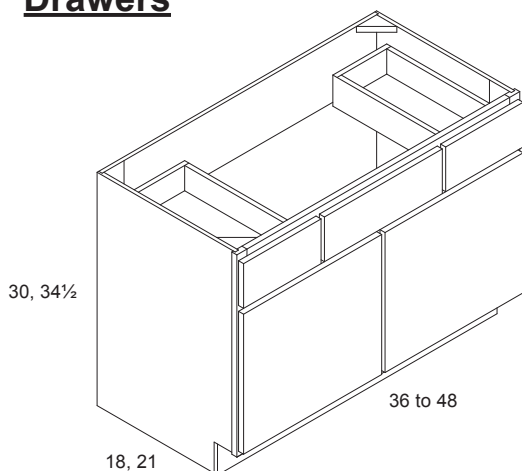


Price Book Page | Pro - 9 | Crown - 44

Vanity Base Sink Cabinets with Drawers

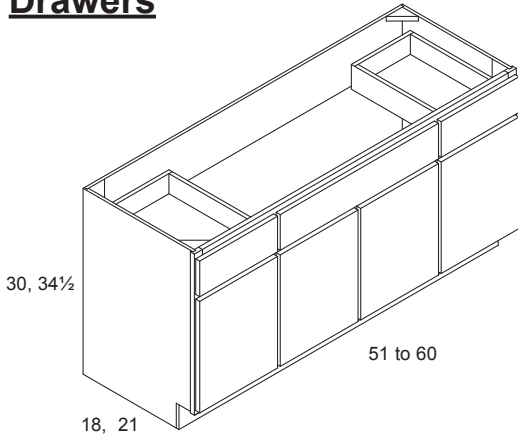
<u>PRO</u>	<u>CROWN</u>
VBS3621	VBS3621
VBS3921	VBS3921
VBS4221	VBS4221
VBS4521	VBS4521
VBS4821	VBS4821

- Available in 30 and 34½ high.
- VBS36 and VBS39 have a 9" drawer. All wider sizes have a 12" drawer.
- Butt door option - available.
- Crown ½" plywood upgrade available.



Price Book Page | Pro - 9 | Crown - 44

Vanity Base Sink Cabinets with Drawers

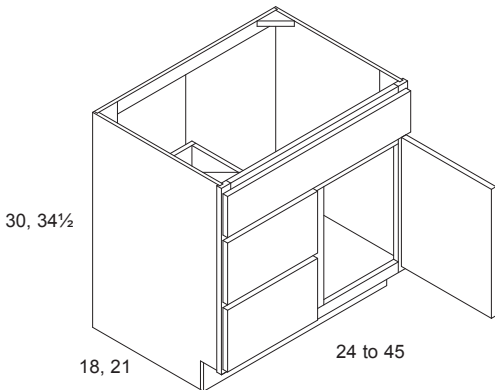


<u>PRO</u>	<u>CROWN</u>
VBS5121	VBS5121
VBS5421	VBS5421
VBS5721	VBS5721
VBS6021	VBS6021

- Available in 30 and 34½ high.
- The center two doors are butt doors standard.
- Crown ½" plywood upgrade available.
- 51", 54" wide have 13½" drawer banks.
- 57", 60" wide have 15" drawer banks.

Price Book Page | Pro - 10 | Crown - 44

Combination Vanity Drawer & Sink Base Cabinets

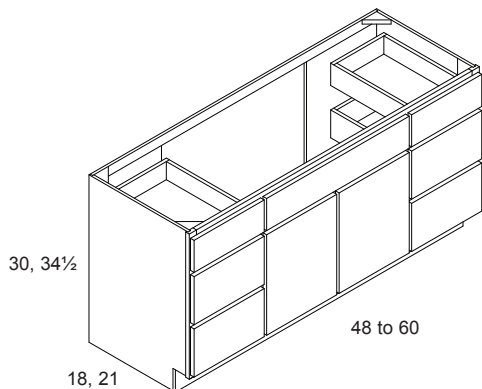


<u>PRO</u>	<u>CROWN</u>
CVDB2421	CVDB2421
CVDB2721	CVDB2721
CVDB3021	CVDB3021
CVDB3321	CVDB3321
CVDB3621	CVDB3621
CVDB3921	CVDB3921
CVDB4221	CVDB4221
CVDB4521	CVDB4521

- Available in 30 and 34½ high.
- Specify drawers right (DR) or drawers left (DL).
- Two working drawers.
- In the Crown Line three drawer option available for 34½" high.
- Crown ½" plywood upgrade available.
- Configuration of drawer width to door width is 50/50.

Price Book Page | Pro - 10 | Crown - 44

Combination Vanity Drawer & Sink Base Cabinets



<u>PRO</u>	<u>CROWN</u>
CVDB4821	CVDB4821
CVDB5121	CVDB5121
CVDB5421	CVDB5421
CVDB5721	CVDB5721
CVDB6021-6	CVDB6021-6
	CVDB6021-8

- Available in 30 and 34½ high.
- Six working drawers.
- 48" wide have 12" drawer banks.
- 51", 54" wide have 13½" drawer banks.
- 57", 60" wide have 15" drawer banks.
- In the Crown Line 6 = 6 drawers, 8 = 8 drawers on 34 ½" option.
- Butt doors standard.
- Crown ½" plywood upgrade available.

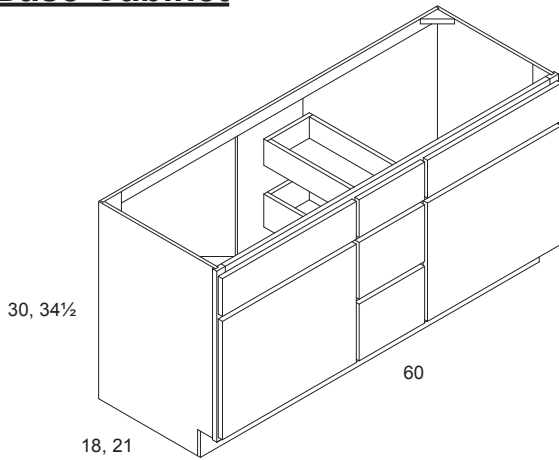
Price Book Page | Pro - 10 | Crown - 44, 45

Vanity Cabinet Specifications



Combination Vanity Drawer & Sink Base Cabinet

<u>PRO</u>	<u>CROWN</u>
CVDB6021-3	CVDB6021-3
	CVDB6021-4

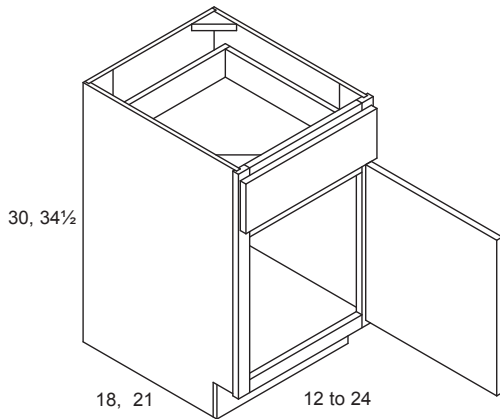


- Available in 30 and 34½ high.
- Three drawer 12" wide bank in the center.
- In the Crown Line 3 = 3 drawers, 4 = 4 drawers on 34 ½" high option.
- Crown ½" plywood upgrade available.

Price Book Page | Pro - 10 | Crown - 45

Vanity / Desk Base Cabinets

<u>PRO</u>	<u>CROWN</u>
VB1221	VB1221
VB1521	VB1521
VB1821	VB1821
VB2121	VB2121
VB2421	VB2421

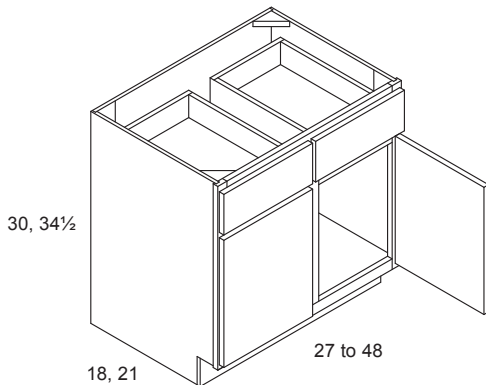


- Available in 30 and 34½ high.
- Adjustable shelf option available, see page 118.

Price Book Page | Pro - 10 | Crown - 45

Vanity / Desk Base Cabinets

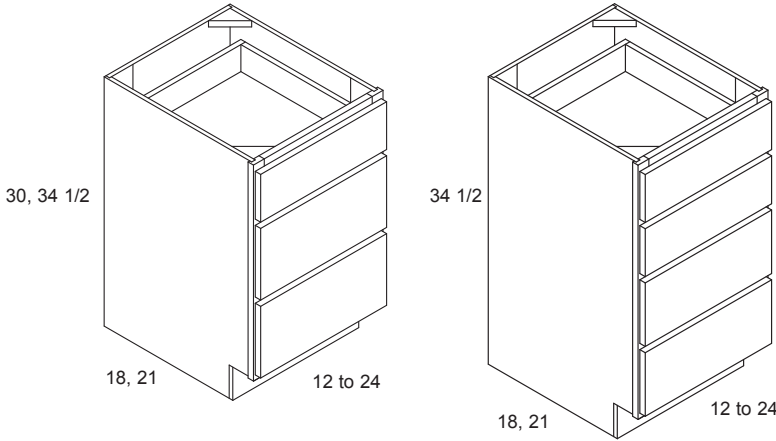
<u>PRO</u>	<u>CROWN</u>
VB2721	VB2721
VB3021	VB3021
VB3321	VB3321
VB3621	VB3621
	VB3921
	VB4221
	VB4521
	VB4821



- Available in 30 and 34½ high.
- VB27 has a single drawer.
- Adjustable shelf option available, see page 118.

Price Book Page | Pro - 10 | Crown - 45

Vanity / Desk Drawer Base Cabinets

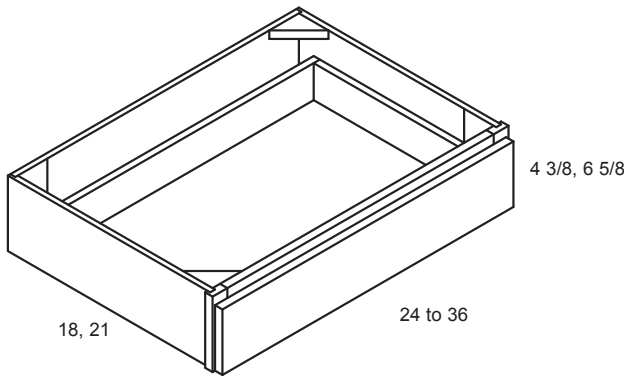


PRO	CROWN
VDB1221-3	VDB1221-3
VDB1521-3	VDB1521-3
VDB1821-3	VDB1821-3
VDB2121-3	VDB2121-3
VDB2421-3	VDB2421-3
	VDB1221X34.5-3
	VDB1521X34.5-3
	VDB1821X34.5-3
	VDB2121X34.5-3
	VDB2421X34.5-3

- In the Crown Line four drawer option available on 34 1/2" high. Specify -4 after regular nomenclature.

Price Book Page | Pro - 10 | Crown - 45

Desk / Pencil Drawer Units

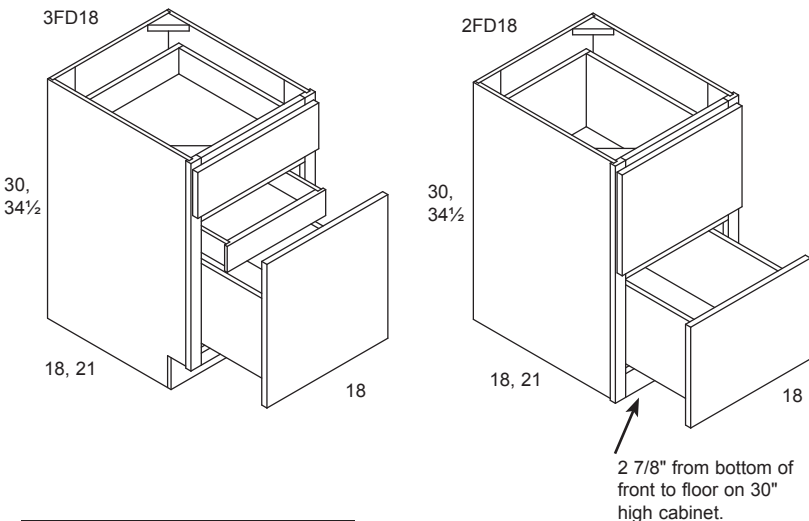


PRO	CROWN
DD2421	DD2421
DD2721	DD2721
DD3021	DD3021
DD3321	DD3321
DD3621	DD3621
PD2421	PD2421
PD2721	PD2721
PD3021	PD3021
PD3321	PD3321
PD3621	PD3621

- DD's 6 5/8" high.
- PD's 4 3/8" high.
- Specify depth.
- All PD's come with slab fronts.

Price Book Page | Pro - 10 | Crown - 45

File Drawer Cabinets

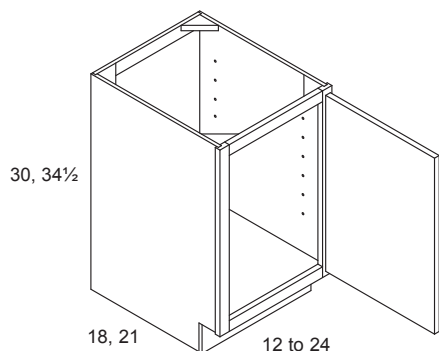


PRO	CROWN
3FD1821	3FD1821
2FD1821	2FD1821
	3FD1821X34.5
	2FD1821X34.5

- Depth decrease not available.
- Engineered to hold standard pendaflex files.
- 3FD - top working drawer, middle concealed drawer, bottom file drawer with a door front, with the exception of Pro Line which will be a slab front.
- 2FD - two file drawers. Flush toe kick.
- File drawers are full extension, 100 lb. capacity.
- File drawers come with rail kit for pendaflex files, standard or legal size.
- Door fronts on 2FD in Crown, Proline are slabs.
- 2FD1821X34 1/2 has a standard 4" toe kick.
- Drawer upgrade available on top two drawers of 3FD. Not available on bottom drawer or on 2FD's.

Price Book Page | Pro - 10 | Crown - 45

Vanity / Desk Base Full Height Door Cabinets Single Door



Vanity Hamper Pull Out Option

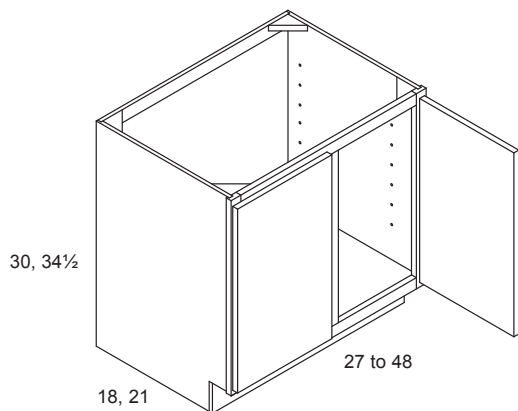


<u>PRO</u>	<u>CROWN</u>
VFH1221	VFH1221
VFH1521	VFH1521
VFH1821	VFH1821
VFH2121	VFH2121
VFH2421	VFH2421

- Available 30 or 34½ high.
- Vanity hamper pull out accessory available for 18" wide (RVH18-1). (See Pg. 117)
- Shelf option available. (See base shelf kit page 118)
- Crown ½" plywood upgrade available.

Price Book Page Pro - 10 Crown - 45

Vanity / Desk Base Full Height Door Cabinets Double Door

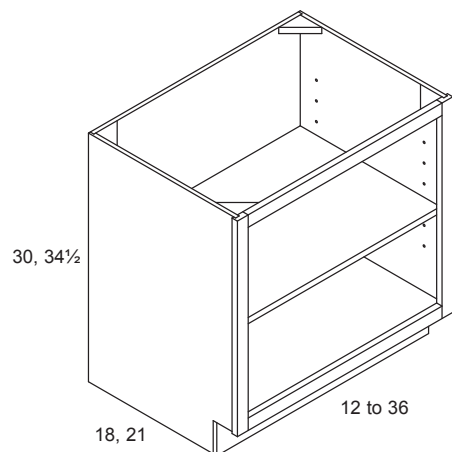


<u>PRO</u>	<u>CROWN</u>
VFH2721	VFH2721
VFH3021	VFH3021
VFH3321	VFH3321
VFH3621	VFH3621
	VFH3921
	VFH4221
	VFH4521
	VFH4821

- Available 30 or 34½ high.
- Shelf option available. (See base shelf kit page 118)
- Crown ½" plywood upgrade available.

Price Book Page Pro - 11 Crown - 45

Vanity / Desk Open Shelf Cabinets



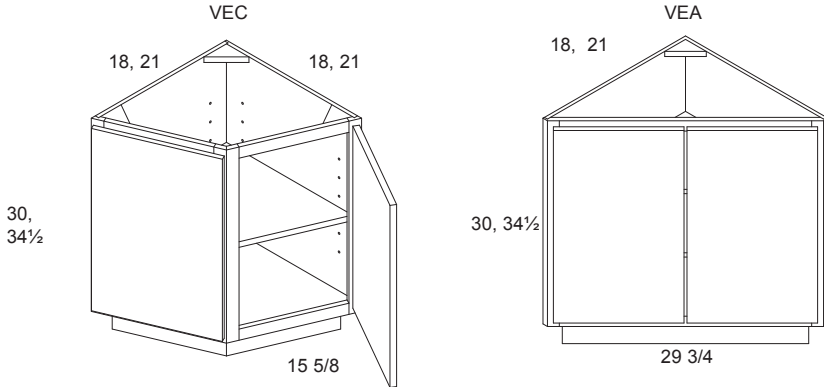
<u>PRO</u>	<u>CROWN</u>
Crown sizes available. (see Crown pricing)	VOS1221
	VOS1521
	VOS1821
	VOS2121
	VOS2421
	VOS2721
	VOS3021
	VOS3321
	VOS3621

- Available 30 or 34½ high.
- Comes with finished interior. ¾" thick adjustable shelf.
- Upgrade options for top rail:
 - 3" roman arch top rail.
 - 3" fluted top rail.
 - 3" top rail.
- 1½" solid wood cap shelf available.

Price Book Page Pro - See Crown Crown - 46

Vanity / Desk End Corner and End Angle Cabinets

<u>PRO</u>	<u>CROWN</u>
N/A	VEC21 VEA21

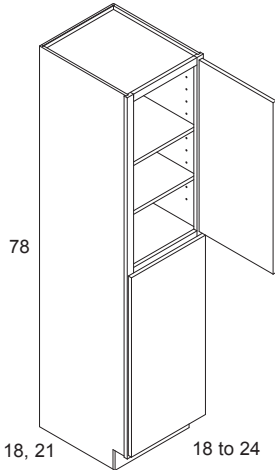


- Available 30 or 34½ high.
- Adjustable shelf.
- VEA butt doors standard.

Price Book Page | Crown - 46

Vanity Linen Cabinets

<u>PRO</u>	<u>CROWN</u>
VL1821	VL1821
VL2121	VL2121
VL2421	VL2421

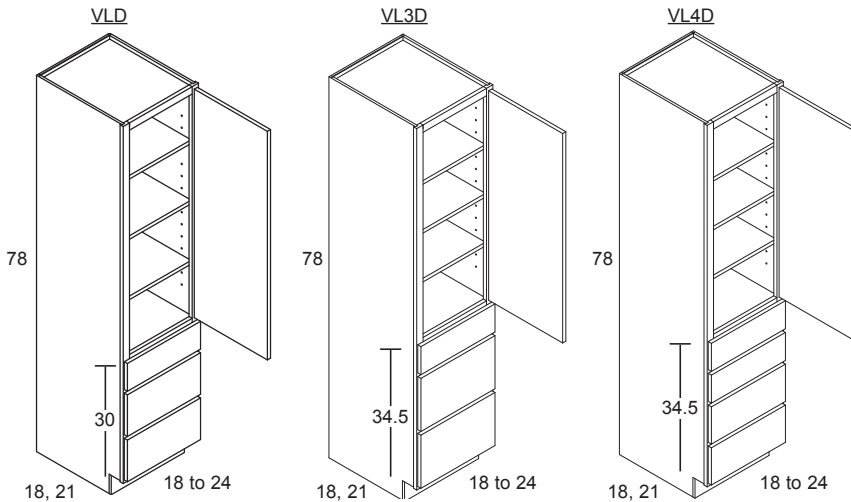


- Specify left or right hinged.
- Includes four adjustable shelves.
- 24" includes butt doors standard.

Price Book Page | Pro - 11 | Crown - 46

Vanity Linen Cabinets with Drawers

<u>PRO</u>	<u>CROWN</u>
VLD1821	VLD1821
VLD2121	VLD2121
VLD2421	VLD2421
	VL3D1821
	VL3D2121
	VL3D2421
	VL4D1821
	VL4D2121
	VL4D2421



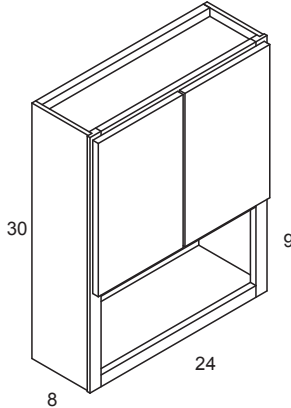
- Specify left or right hinged.
- Includes three adjustable shelves, three drawers on the VLD configuration.
- 24" includes butt doors standard.

Price Book Page | Pro - 11 | Crown - 46

Vanity/Desk Cabinet Specifications



Over the John Wall Vanity Cabinet

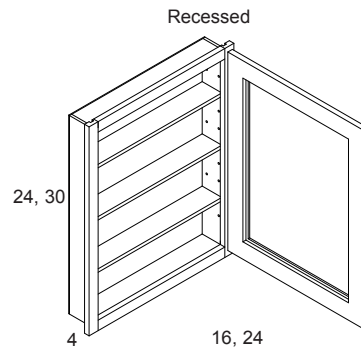
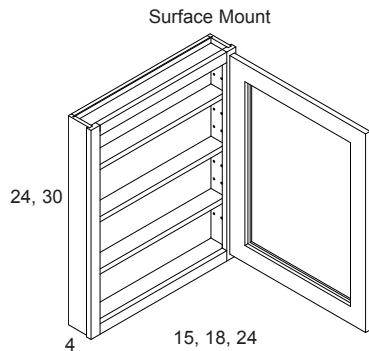


PRO	CROWN
OJ2430	OJ2430

- Fully finished inside.
- Includes shelf in top compartment.
- Requires end panels.
- Standard Butt Doors.

Price Book Page | Pro - 11 | Crown - 46

Medicine Cabinets Recessed or Surface Mount

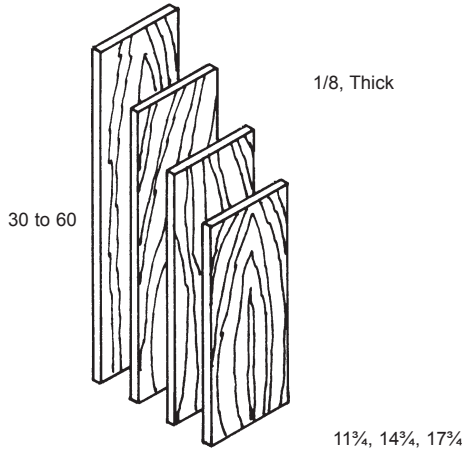


PRO	CROWN
Crown sizes available. See Crown pricing.	MC1524 MC1824 MC2424 MC1530 MC1830 MC2430 MCR1624 MCR2424 MCR1630 MCR2430

- Medicine cabinets come cut for glass or mirror. Glass or mirror not provided.
- Center panel available, 10% upcharge.
- Top reveal will be 1/4" or 3/4" depending on your overlay choice.
- If ordered in Studio style, not available cut for glass. Specify which doorstyle to substitute for CFG. Pioneer #7 is the default.

Price Book Page | Pro - See Crown | Crown - 46

Wall End Panels



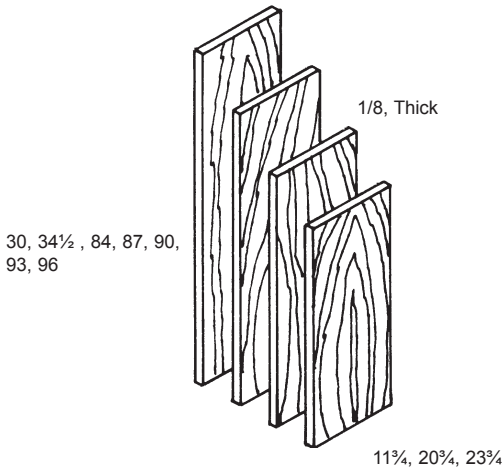
Price Book Page Pro / Crown - 47

PRO/CROWN

WP30
WP33
WP36
WP39
WP42
WP48
WP51
WP54
WP57
WP60

- Knotty paneling for all woods except hickory.
- Veneer plywood or MDF.
- Panels will require scribing.
- Deeper panels available.
- For deeper panels indicate depth i.e. WP1530.
- Factory applied available \$90 list/side.

Base, Utility, Pantry, and Vanity End Panels



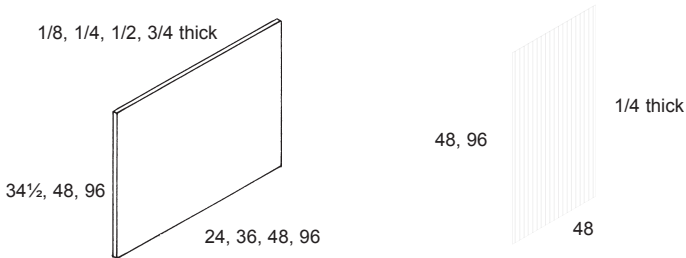
Price Book Page Pro / Crown - 47

PRO/CROWN

BP34.5
BP1284
BP2484
BP1287
BP2487
BP1290
BP2490
BP1293
BP2493
BP1296
BP2496
VEP2130
VEP2134.5

- Veneer plywood or MDF.
- Panels will require scribing.
- Factory applied available.
- Knotty paneling for all woods except hickory.

Peninsula Panels



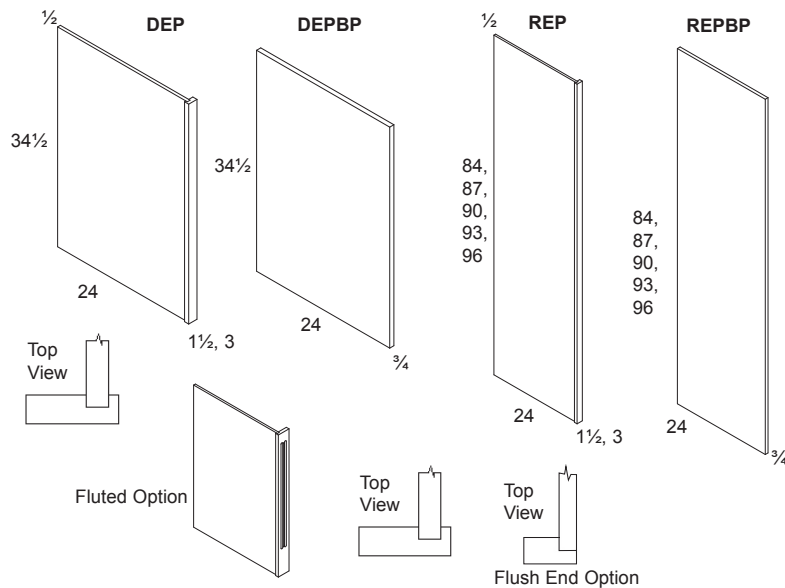
- Knotty paneling for all woods except hickory.
- Veneer plywood or MDF.
- PP4896 - 48" wide by 96" high, grain runs vertically with the 96" height.
- PP9648 - 96" wide by 48" high, grain runs vertically with the 48" height. ¼" thick.
- PP9648 not available in hickory, or knotty wood types.
- Beaded paneling only available in clear wood types.
- Consider shipping when ordering full 48X96 sheets. Ordering 48X48 is preferable.

Price Book Page Pro / Crown - 47

PRO/CROWN

PP2434.5
PP3634.5
PP4834.5
PP4848
PP4896
PP9648
PP4848BEADED
PP4896BEADED
PP4848-1/8
PP4848-1/2
PP4848-3/4
PP4896-1/8
PP4896-1/2
PP4896-3/4

Dishwasher / Refrigerator End Panels



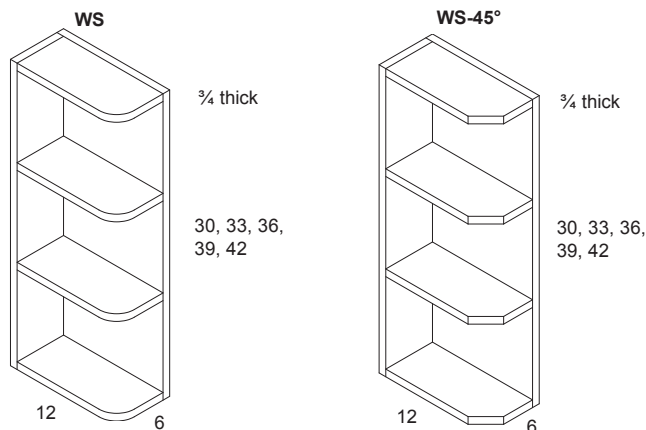
PRO/CROWN

DEP24
DEPBP24
REP2484
REPBP2484
REP2487
REPBP2487
REP2490
REPBP2490
REP2493
REPBP2493
REP2496
REPBP2496

- End cap on the DEP and REP is 1 1/2" or 3" wide by 3/4" thick. When ordering specify width of the end cap. i.e. DEP24X3.
- The veneer plywood or MDF panel on the DEP and REP is 1/2" thick and is offset to one side. Reversible.
- The DEPBP and REPBP is a 3/4" thick veneer plywood or MDF panel, edge banded.
- Available with 3" fluted style, specify L or R.
- Flush end upgrade option available on DEP's and REP's. Designate (FLUSH END) DEP or REP accessories.

Price Book Page Pro / Crown - 47

Wall Shelf End Panels



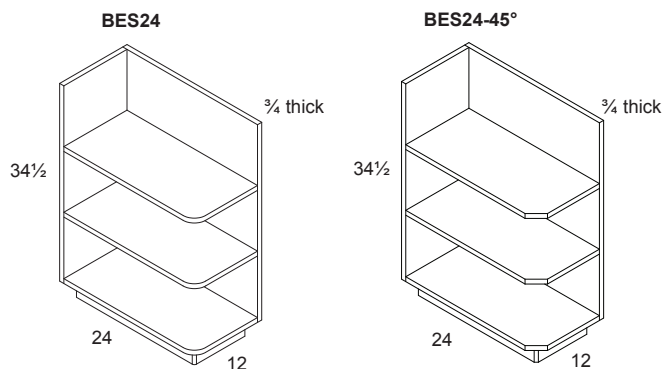
PRO/CROWN

WS30
WS33
WS36
WS39
WS42
WS30-45
WS33-45
WS36-45
WS39-45
WS42-45

- Solid wood shelves.
- Use 45° shelf unit when using Crown molding or light valance.
- Sides are 3/4" veneer plywood, or MDF edgebanded.
- 39", 42" high has five shelves.

Price Book Page Pro / Crown - 48

Base End Shelf



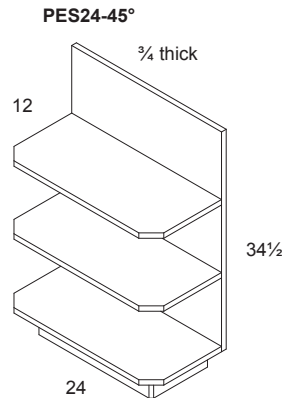
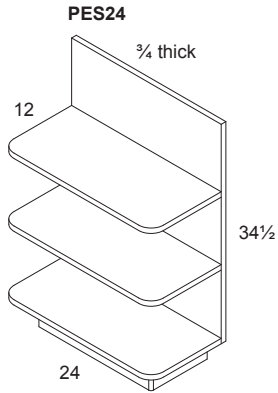
PRO/CROWN

BES24
BES24-45

- Shelves and sides are 3/4" veneer plywood, or MDF, edgebanded.
- Specify Left or Right application, example is a left application.
- 4" radius on the BES.

Price Book Page Pro / Crown - 48

Peninsula End Shelf



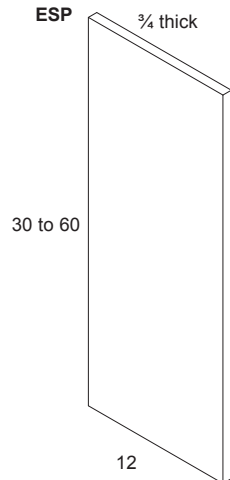
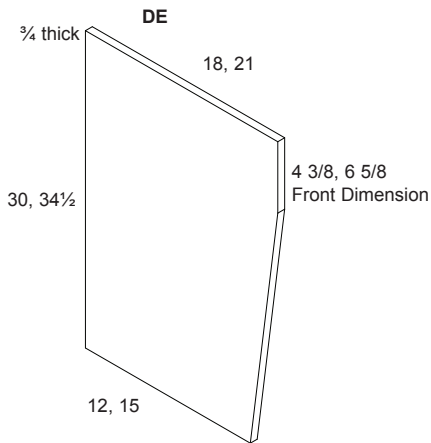
PRO/CROWN

PES24
PES24-45

- Shelves and sides are ¾" veneer plywood, or MDF, edgembanded.
- 4" radius on the round edition.

Price Book Page | Pro / Crown - 48

Desk End Panels / End Support Panels



PRO/CROWN

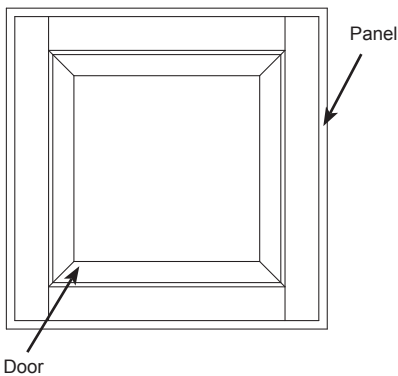
DEDD21x34.5
DEDD21
DEPD21X34.5
DEPD21
ESP12X30
ESP12X33
ESP12X36
ESP12X39
ESP12X42
ESP12X48
ESP12X51
ESP12X54
ESP12X60

- Veneer plywood, or MDF, edgembanded.
- DE for use with a Desk Drawer unit.
- End support panels for use in miscellaneous applications.
- DEDD for use with Desk Drawer Units.
- DEPD for use with Pencil Drawer Units.

Price Book Page | Pro / Crown - 48

Appliance Plant On Panels / Doors

APPO



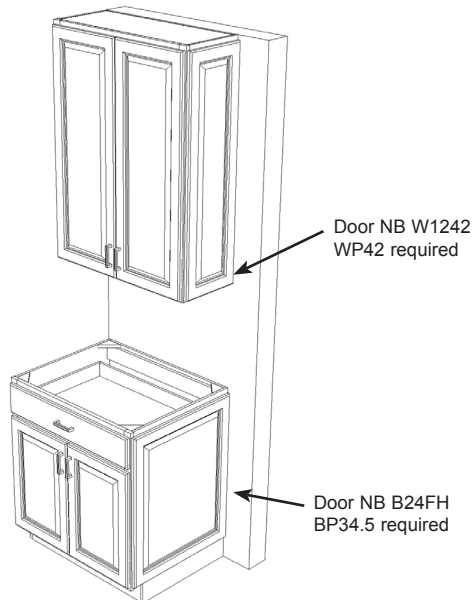
PRO/CROWN

APPO

- APPO - Appliance panel plant on.
- Example shown to the left is a raised panel door, recessed panel door also available.
- **Please supply make and model specs on appliances when ordering an APPO.**
- Priced per square foot. Round up to whole number.
- Total square footage rounded up equals the order quantity.

Price Book Page | Pro / Crown - 48

Wall, Base, Tall, and Vanity Plant on Doors



PRO/CROWN

DOOR NB PL2193	DOOR NB W1836
DOOR NB PL2196	DOOR NB W1839
DOOR NB PL2484	DOOR NB W1842
DOOR NB PL2487	DOOR NB W1845
DOOR NB PL2490	DOOR NB W1848
DOOR NB PL2493	DOOR NB W1851
DOOR NB PL2496	DOOR NB W1854
DOOR NB VFH09	DOOR NB W1857
DOOR NB VFH12	DOOR NB W1860
DOOR NB VFH15	DOOR NB W2130
DOOR NB VFH18	DOOR NB W2133
DOOR NB VFH21	DOOR NB W2136
DOOR NB VFH24	DOOR NB W2139
DOOR NB W1230	DOOR NB W2142
DOOR NB W1233	DOOR NB W2145
DOOR NB W1236	DOOR NB W2148
DOOR NB W1239	DOOR NB W2151
DOOR NB W1242	DOOR NB W2154
DOOR NB W1245	DOOR NB W2157
DOOR NB W1248	DOOR NB W2160
DOOR NB W1251	DOOR NB W2430
DOOR NB W1254	DOOR NB W2433
DOOR NB W1257	DOOR NB W2436
DOOR NB W1260	DOOR NB W2439
DOOR NB W1530	DOOR NB W2442
DOOR NB W1533	DOOR NB W2445
DOOR NB W1536	DOOR NB W2448
DOOR NB W1539	DOOR NB W2451
DOOR NB W1542	DOOR NB W2454
DOOR NB W1545	DOOR NB W2457
DOOR NB W1548	DOOR NB W2460
DOOR NB W1551	DOOR<30T 19.5-24W
DOOR NB W1554	DOOR<30T 9-18W
DOOR NB W1557	DOOR>42T 19.5-24W
DOOR NB W1560	DOOR>42T 9-18W
DOOR NB W1830	DOOR30-42T 19.5-24W
DOOR NB W1833	DOOR30-42T 9-18W

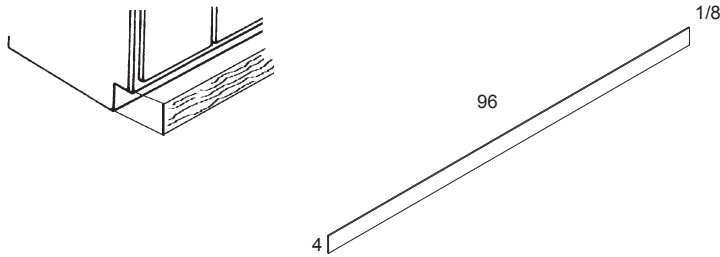
PRO/CROWN

DOOR NB B09FH	DOOR NB P2184-U
DOOR NB B09X40.5FH	DOOR NB P2187-U
DOOR NB B12FH	DOOR NB P2190-U
DOOR NB B12X40.5FH	DOOR NB P2193-U
DOOR NB B15FH	DOOR NB P2196-U
DOOR NB B15X40.5FH	DOOR NB P21-L
DOOR NB B18FH	DOOR NB P2484-U
DOOR NB B18X40.5FH	DOOR NB P2487-U
DOOR NB B21FH	DOOR NB P2490-U
DOOR NB B21X40.5FH	DOOR NB P2493-U
DOOR NB B24FH	DOOR NB P2496-U
DOOR NB B24X40.5FH	DOOR NB P24-L
DOOR NB P1284-U	DOOR NB PL1284
DOOR NB P1287-U	DOOR NB PL1287
DOOR NB P1290-U	DOOR NB PL1290
DOOR NB P1293-U	DOOR NB PL1293
DOOR NB P1296-U	DOOR NB PL1296
DOOR NB P12-L	DOOR NB PL1584
DOOR NB P1584-U	DOOR NB PL1587
DOOR NB P1587-U	DOOR NB PL1590
DOOR NB P1590-U	DOOR NB PL1593
DOOR NB P1593-U	DOOR NB PL1596
DOOR NB P1596-U	DOOR NB PL1884
DOOR NB P15-L	DOOR NB PL1887
DOOR NB P1884-U	DOOR NB PL1890
DOOR NB P1887-U	DOOR NB PL1893
DOOR NB P1890-U	DOOR NB PL1896
DOOR NB P1893-U	DOOR NB PL2184
DOOR NB P1896-U	DOOR NB PL2187
DOOR NB P18-L	DOOR NB PL2190

- All Door no bore (NB)'s require finished panels underneath them.
- If you need a size not listed, use the next biggest size and specify exact size in notes.
- All Door NB's priced using formulas included above. See Pg 123 or Pg 62 of Crown Price List.
- -U = Upper, -L = Lower
- For Utility Cabinets use Pantry (P) options above.
- Pantry Linen (PL) upper and lower are same size.
- For Island and Peninsula backs be sure to keep in mind the spacing between doors and spacing between doors and corner moldings to maintain consistency in spacing or reveal with the rest of the kitchen. For example, if you determine you need base doors 17½" wide, order the B18FH and specify the custom width "17½" in the notes.

Toe Kick Covers

PRO/CROWN
TK8



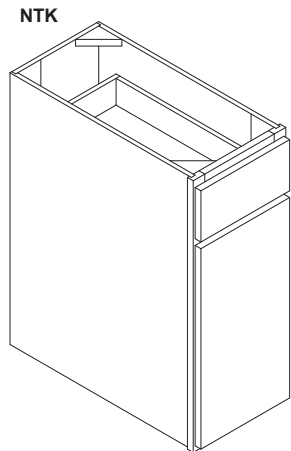
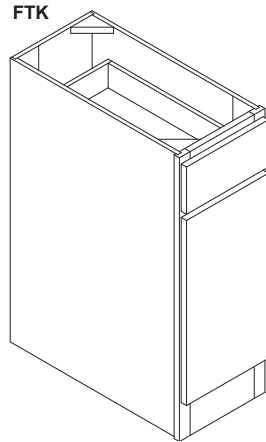
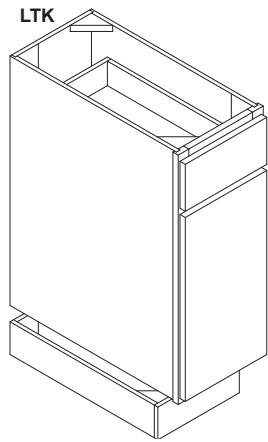
- 1/8" thick.
- Veneer plywood or MDF.

Price Book Page | Pro / Crown - 48

Loose Toe Kick, Flush Toe Kick, No Toe Kick

CROWN

LTK
FTK
NTK

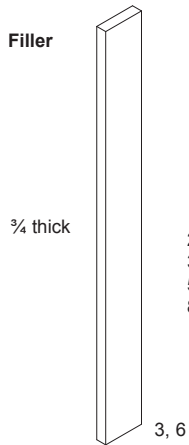


- LTK option is for use on island or peninsula.
- FTK option is for use on the back of an island or peninsula, hutches, etc.
- NTK for use with optional feet page 113. May require bracing.

Price Book Page | Pro / Crown - 48

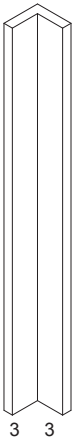
Fillers

Filler



26, 30, 30.5, 33, 34.5,
36, 39, 42, 48, 51, 54,
57, 60, 80, 83, 84, 86,
87, 89, 90, 92, 93, 96

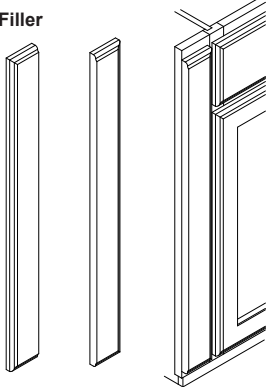
Corner Filler



26, 30, 30.5, 33,
34.5, 36, 39, 42,
48, 51, 54, 57,
60, 80, 83, 84,
86, 87, 89, 90,
92, 93, 96

Typical usage of
Styled Fillers, in
this Picture left
edge would fit
against the wall.

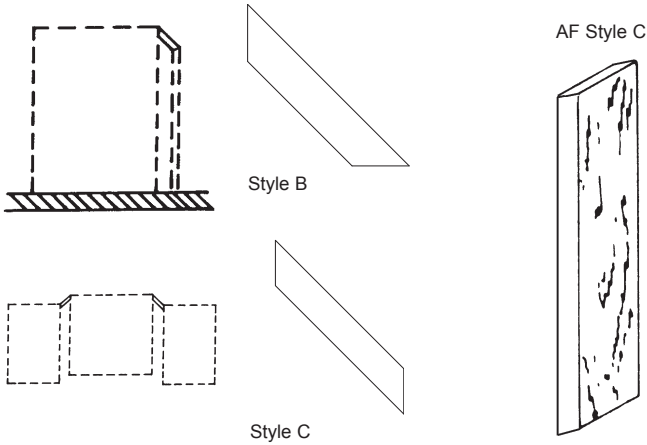
Styled Filler



PRO/CROWN	PRO/CROWN	PRO/CROWN
F3X26	F6X57	CF93
F3X30	F6X60	CF96
F3X30.5	F6X80	SF3X25
F3X33	F6X83	SF3X29
F3X34.5	F6X84	SF3X32
F3X36	F6X86	SF3X35
F3X39	F6X87	SF3X38
F3X42	F6X89	SF3X41
F3X48	F6X90	SF3X44
F3X51	F6X92	SF3X47
F3X54	F6X93	SF3X50
F3X57	F6X96	SF3X53
F3X60	CF26	SF3X56
F3X80	CF30	SF3X59
F3X83	CF30.5	SF3X28.5
F3X84	CF33	SF3X31.5
F3X87	CF36	SF3X34.5
F3X90	CF39	SF3X37.5
F3X92	CF42	SF3X40.5
F3X93	CF48	SF3X43.5
F3X96	CF51	SF3X46.5
F6X26	CF54	SF3X49.5
F6X30	CF57	SF3X52.5
F6X30.5	CF60	SF3X55.5
F6X33	CF80	SF3X58.5
F6X34.5	CF83	SF3X78 5/8
F6X36	CF84	SF3X81 5/8
F6X39	CF86	SF3X84 5/8
F6X42	CF87	SF3X87 5/8
F6X48	CF89	SF3X90 5/8
F6X51	CF90	
F6X54	CF92	

- Solid wood.
- Trimmable.
- Finished edges or Finished all sides options available.
- Styled Fillers available, nomenclature is SF and the size. Specify size and which edges need to be profiled. Profile will match door and drawer fronts or #7 edge if miter door style is ordered.
- Styled Fillers need to be installed at the job site to ensure proper alignment with any adjacent doors or drawer fronts.

Angled Fillers



PRO/CROWN
BASE/VANITY

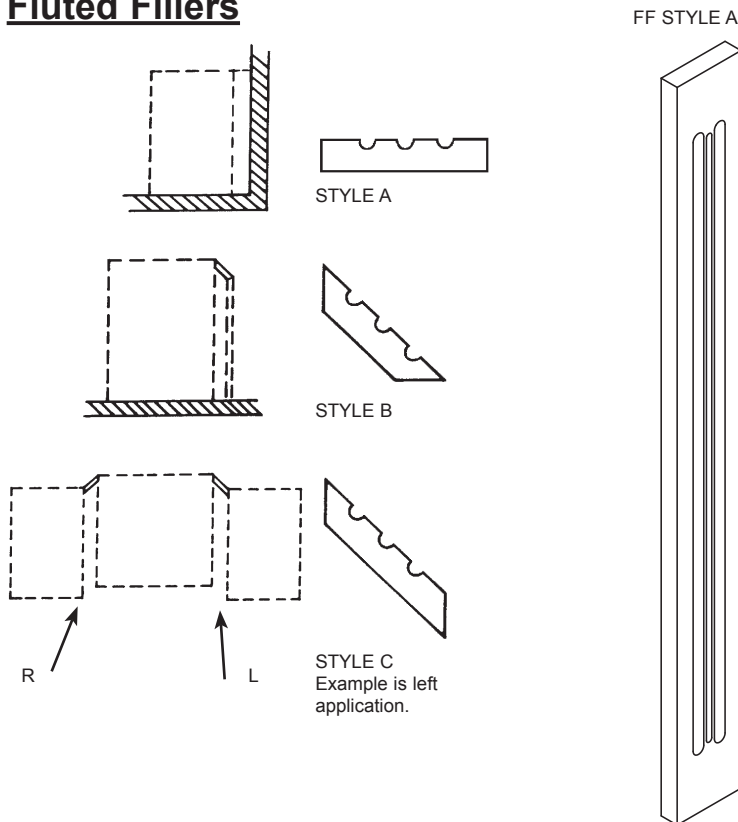
- AF26
- AF30.5
- AF34.5
- WALL
- AF30
- AF33
- AF36
- AF39
- AF42
- AF48
- AF51
- AF54
- AF57
- AF60

PRO/CROWN
UTILITY

- AF80
- AF83
- AF84
- AF86
- AF87
- AF89
- AF90
- AF92
- AF93
- AF96

- Fillers require 3" in width and depth.
- Specify style.

Fluted Fillers



PRO/CROWN
BASE

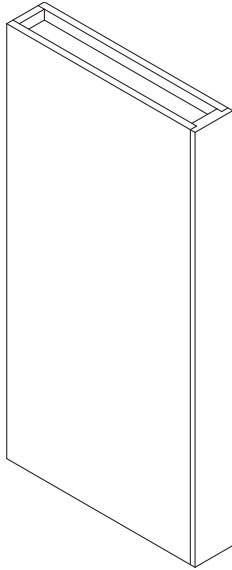
- FF30.5
- FF34.5 FTK
- UTILITY
- FF80
- FF83
- FF86
- FF89
- FF92
- FF84 FTK
- FF87 FTK
- FF90 FTK
- FF93 FTK
- FF96 FTK

PRO/CROWN
VANITY

- FF26
- WALL
- FF18
- FF21
- FF24
- FF27
- FF30
- FF33
- FF36
- FF39
- FF42
- FF48
- FF51
- FF54
- FF57
- FF60

- Fillers require 3" for width and depth.
- For base applications with flush toe kick option specify left or right application for style C, i.e. FF34.5 FTK C-R
- Specify style.

Filler Boxes



- Solid wood front plain or fluted.
- Veneer plywood or MDF sides finished both sides.
- Decorative fronts or other decorative accessories available for plant on.
- Minimum width modification 1½".
- Optional finished back for an upcharge.
- Island filler boxes finished 4 sides.

PRO/CROWN BASE FILLER BOXES

BFB3X24
BFB3X25
BFB3X27
BFB3X21
BFB3X22

BASE FILLER BOXES - FLUTED

BFFB3X24
BFFB3X25
BFFB3X27
BFFB3X21
BFFB3X22

VANITY FILLER BOXES

VFB3X21
VFB3X22
VFB3X24
BFB3X21
BFB3X22

VANITY FILLER BOXES - FLUTED

VFFB3X21
VFFB3X22
VFFB3X24
BFFB3X21
BFFB3X22

UTILITY FILLER BOXES

UFB324X84
UFB324X87
UFB324X90
UFB324X93
UFB324X96
UFB325X84
UFB325X87
UFB325X90
UFB325X93
UFB325X96
UFB327X84
UFB327X87
UFB327X90
UFB327X93
UFB327X96
UFB312X84
UFB312X87
UFB312X90
UFB312X93
UFB312X96
UFB313X84
UFB313X87

UFB313X90
UFB313X93
UFB313X96
UFB315X84
UFB315X87
UFB315X90
UFB315X93
UFB315X96

UTILITY FILLER BOX - FLUTED

UFFB324X84
UFFB324X87
UFFB324X90
UFFB324X93
UFFB324X96
UFFB325X84
UFFB325X87
UFFB325X90
UFFB325X93
UFFB325X96
UFFB327X84
UFFB327X87
UFFB327X90
UFFB327X93
UFFB327X96
UFFB312X84
UFFB312X87
UFFB312X90
UFFB312X93
UFFB312X96
UFFB313X84
UFFB313X87
UFFB313X90
UFFB313X93
UFFB313X96
UFFB315X84
UFFB315X87
UFFB315X90
UFFB315X93
UFFB315X96
WALL FILLER
BOX
WFB312X30
WFB312X33
WFB312X36
WFB312X39
WFB312X42
WFB312X48
WFB312X51
WFB312X54
WFB312X57
WFB312X60
WFB313X30

WFB313X36
WFB313X36
WFB313X39
WFB313X42
WFB313X48
WFB313X51
WFB313X54
WFB313X57
WFB313X60

WALL FILLER BOX - FLUTED

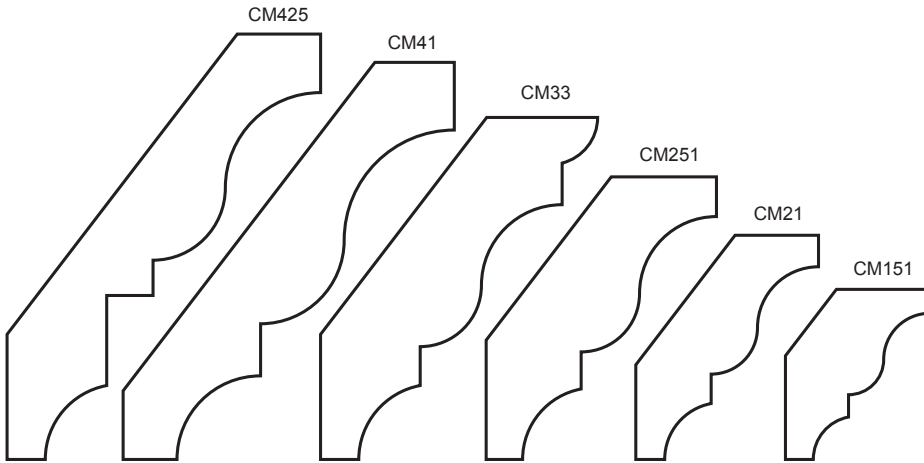
WFB315X30
WFB315X33
WFB315X36
WFB315X39
WFB315X42
WFB315X48
WFB315X51
WFB315X54
WFB315X57
WFB315X60
WFB316X30
WFB316X33
WFB316X36
WFB316X39
WFB316X42
WFB316X48
WFB316X51
WFB316X54
WFB316X57
WFB316X60
WFB318X30
WFB318X33
WFB318X36
WFB318X39
WFB318X42
WFB318X48
WFB318X51
WFB318X54
WFB318X57
WFB318X60
WALL FILLER
BOX - FLUTED
WFFB312X30
WFFB312X33
WFFB312X36
WFFB312X39
WFFB312X42
WFFB312X48
WFFB312X51
WFFB312X54
WFFB312X57
WFFB312X60
WFFB313X30
WFFB313X33

WFFB313X36
WFFB313X39
WFFB313X42
WFFB313X48
WFFB313X51
WFFB313X54
WFFB313X57
WFFB313X60

WALL FILLER BOX

WFFB315X30
WFFB315X33
WFFB315X36
WFFB315X39
WFFB315X42
WFFB315X48
WFFB315X51
WFFB315X54
WFFB315X57
WFFB315X60
WFFB316X30
WFFB316X33
WFFB316X36
WFFB316X39
WFFB316X42
WFFB316X48
WFFB316X51
WFFB316X54
WFFB316X57
WFFB316X60
WFB318X30
WFFB318X33
WFFB318X36
WFFB318X39
WFFB318X42
WFFB318X48
WFFB318X51
WFFB318X54
WFFB318X57
WFFB318X60
ISLAND FILLER
BOX
IFB3 24X34.5
IFB3 30X34.5
IFB3 36X34.5
IFB3 42X34.5
IFB3 48X34.5

Crown Moldings



Available
Wood Types

A C H M O W

PRO/CROWN

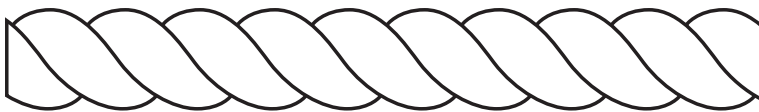
CM151
CM21
CM251
CM33
CM41
CM425
ROPE 3/4
DENTIL 3/4

Dimensions

	Vertical	Horizontal
CM151	1 3/16	1
CM21	1 9/16	1 1/4
CM251	1 7/8	1 5/8
CM33	2 3/8	1 7/8
CM41	3	2 9/16
CM425	3 5/8	2 1/2

Rope 3/4"

Plant on moldings for CM425



Cross Section



Available
Wood Types

A C H M O W

- 8' lengths.
- CM425 for use with Rope and Dentil Molding.

Dentil 3/4"



Cross Section



Available
Wood Types

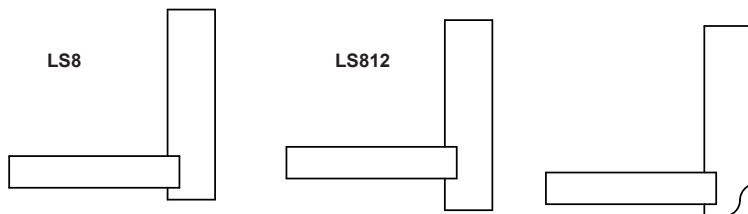
A C H M O W

Price Book Page Pro / Crown - 54

L Sub Crown Molding

PRO/CROWN

LS8
LS812



Shown here
with profile # 4

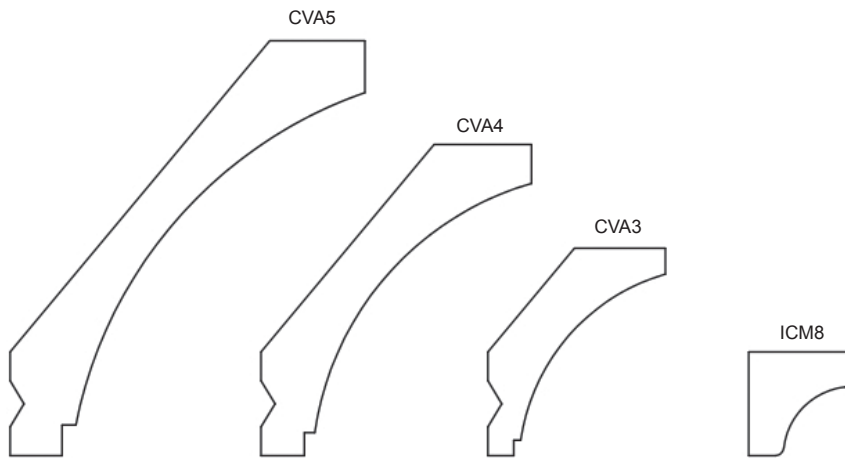
- Sub Crown molding.
- 3" high x 2 1/2" deep
- 3/16" overhang standard or 1/2" overhang
- All 9 profiles available, see pg. 109

Available
Wood Types

A C H M O W

Price Book Page Pro / Crown - 54

Crown Cove Molding



PRO/CROWN

CVA3
CVA4
CVA5
ICM8

Dimensions

	Vertical	Horizontal
CVA3	1 1/2"	1 1/4
CVA4	2 1/4	1 15/16
CVA5	3	2 9/16
ICM8	3/4	3/4

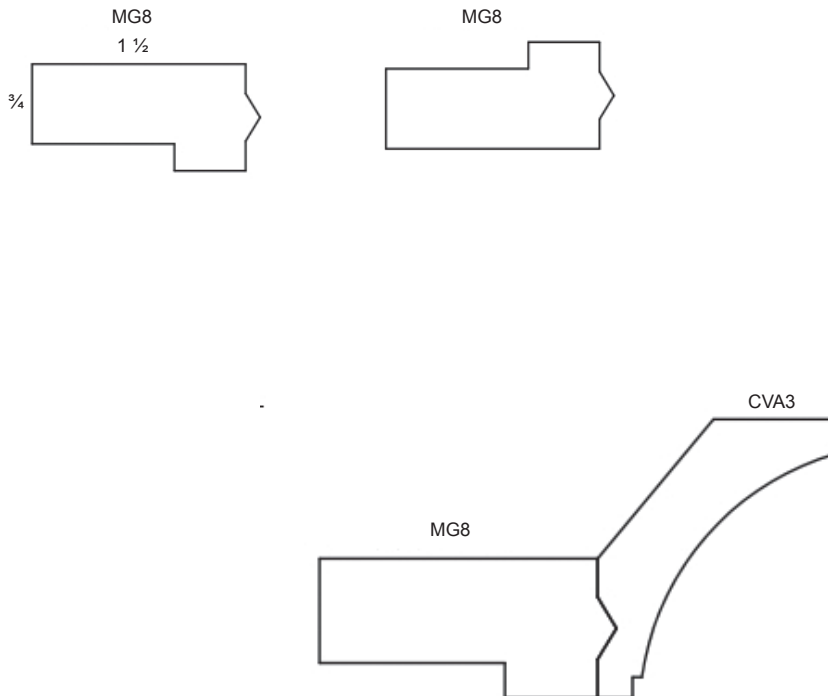
- 8' lengths.
- ICM8 inside corner trim molding.

Available
Wood Types

A C H M O W

Price Book Page Pro / Crown - 54

Molding Guide



PRO/CROWN

MG8

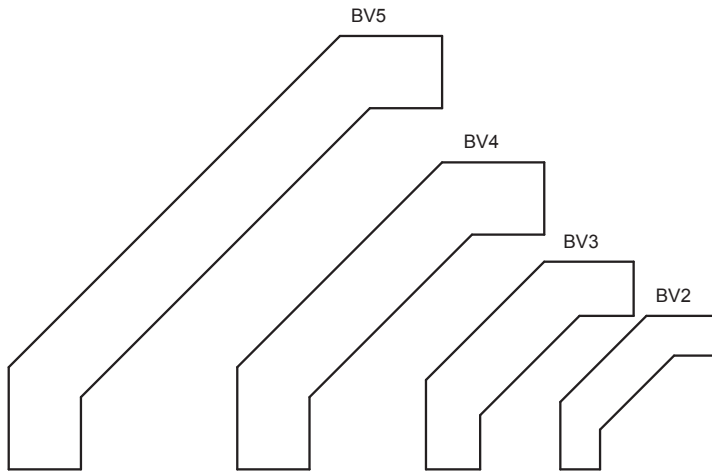
- 8' lengths.
- For use with the Cove molding

Available
Wood Types

A C H M O W

Price Book Page Pro / Crown - 54

Flat Crown Molding



PRO/CROWN

BV2
BV3
BV4
BV5

Dimensions

	Vertical	Horizontal
BV2	1 1/16	1 1/16
BV3	1 7/16	1 7/16
BV4	2 1/8	2 1/8
BV5	3	3

- 8' lengths.
- These moldings were intended primarily for use with the Shaker, Pioneer, Millcreek, Clearcreek and Bigcreek styles.

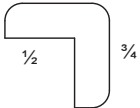
Available
Wood Types

A C H M O W

Price Book Page | Pro / Crown - 54

Outside Corner Moldings

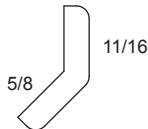
OCM3 or OCM8



Available
Wood Types

A C H M O W

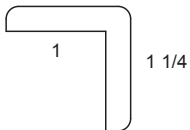
OCM45°



Available
Wood Types

A C H M O W

OCM13 or OCM18



Available
Wood Types

A C H M O

PRO/CROWN

OCM3
OCM13
OCM8
OCM18
OCM3-45
OCM8-45

- 3' or 8' lengths.
- OCM3 is precut to 36".

Price Book Page | Pro / Crown - 54

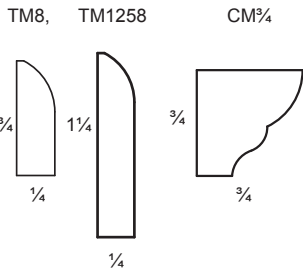
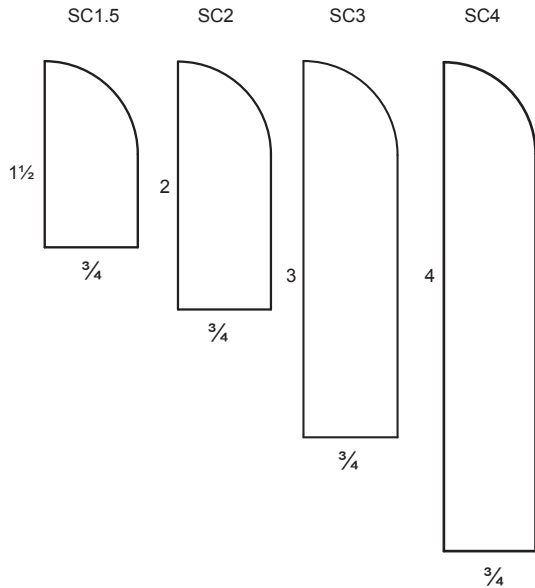
Scribe / Trim Moldings

PRO/CROWN

- SC1.5
- SC2
- SC3
- SC4
- TM8
- TM1258
- CM3/4
- TB8
- TB1258
- QR1
- ICT8

- 8' lengths.
- Specify profile on SC molding. (see below)
- TM8 - trim or scribe molding.
- TB8 - double bevel trim or scribe molding, use to seam peninsula panels.
- CM^{3/4} - deluxe trim or scribe molding.
- SC moldings for use as counter edge, back splash, sub crown, light valance or base molding.
- QR1 - quarter round molding.
- TM1258 - 1 1/4 trim molding.
- TB1258 - 1 1/4 double bevel molding.
- ICT8 - Inside corner trim.

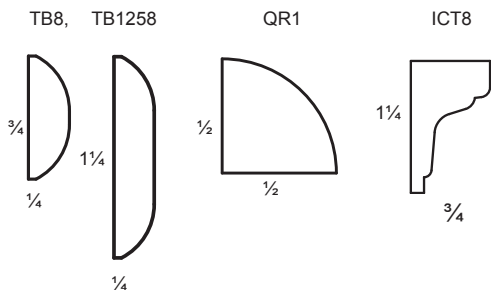
Available Profiles for SC



Available Wood Types
A C H M O W

Available Wood Types
A C H M O W

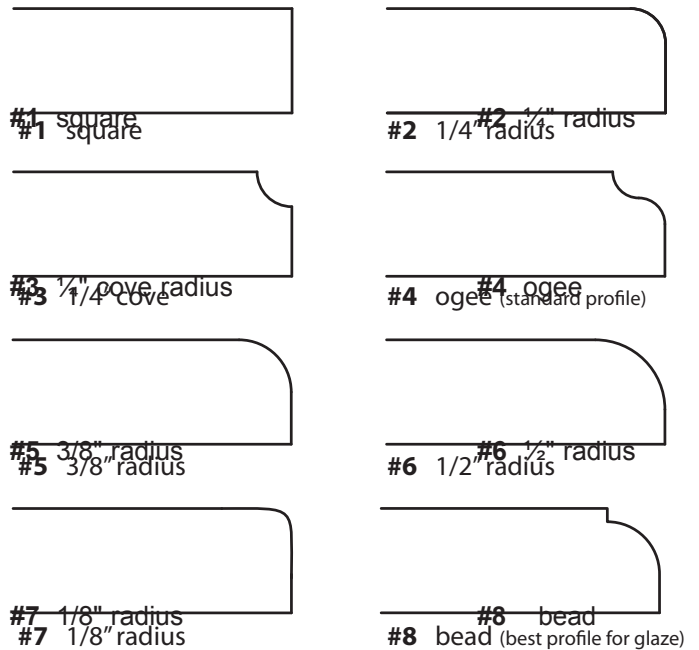
Available Wood Types
A C H M O W



Available Wood Types
A C H M O W

Available Wood Types
A C H M O W

Available Wood Types
A C H M O W



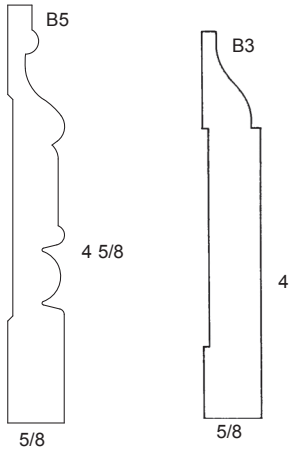
#9 45° beveled edge

Base Molding

PRO/CROWN

B3
B5

- 8' lengths.
- B3 - base molding, sub crown molding.
- B5 - base molding, sub crown molding.



Available
Wood Types

A C H M O W

Available
Wood Types

A C H M O W

Price Book Page Pro / Crown - 55

Soffit Molding

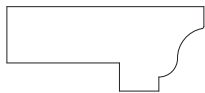
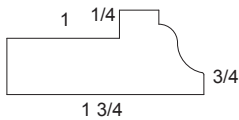
PRO/CROWN

SM8

- 8' lengths.
- SM8 may be used as a soffit molding or as a light valance molding.

Cross Section

SM8



Available
Wood Types

A C H M O W

Price Book Page Pro / Crown - 55

3 Door Wall Cabinet Modification

CROWN

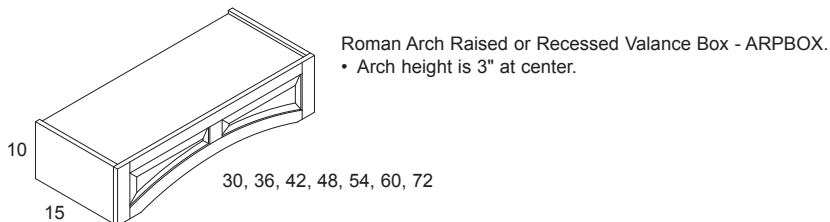
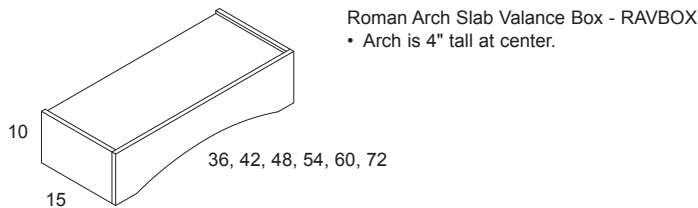
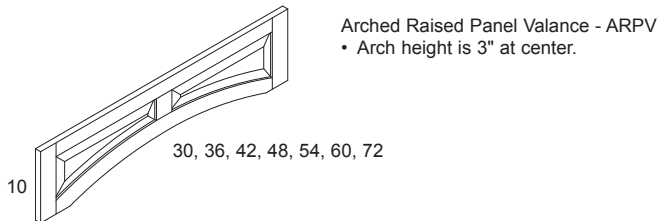
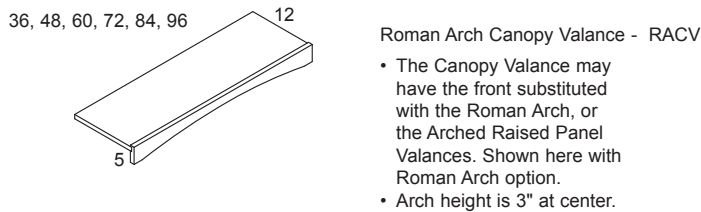
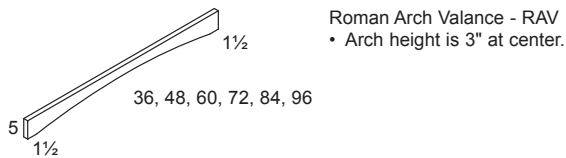
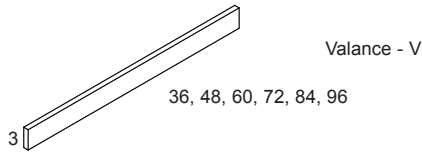
3DOOR

- Specify butt doors left or right.
- Only available in the Crown Line
- Available on wall cabinets 36" to 48" wide and 24" to 48" high.
- Photo shown with filler boxes, roman arch valance and crown molding, all sold separately.
- Add (3DOOR) to end of wall cabinet nomenclature for example: W3624X24 3DOOR.



Price Book Page Crown - 61

Valances



Available
Wood Types

A C H M O W

PRO/CROWN

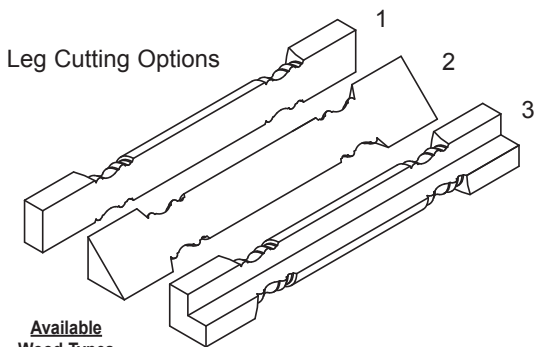
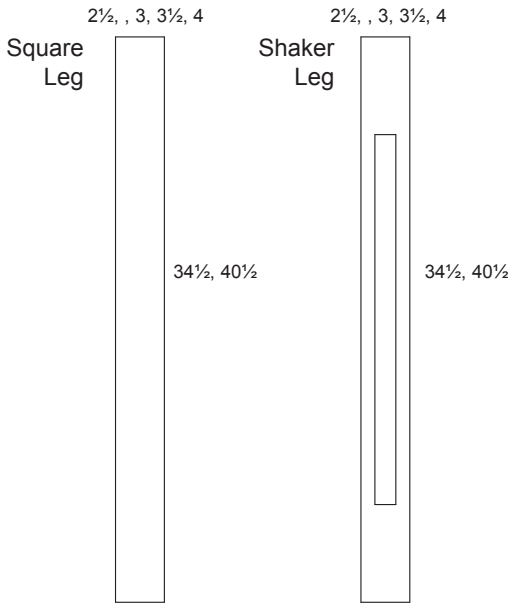
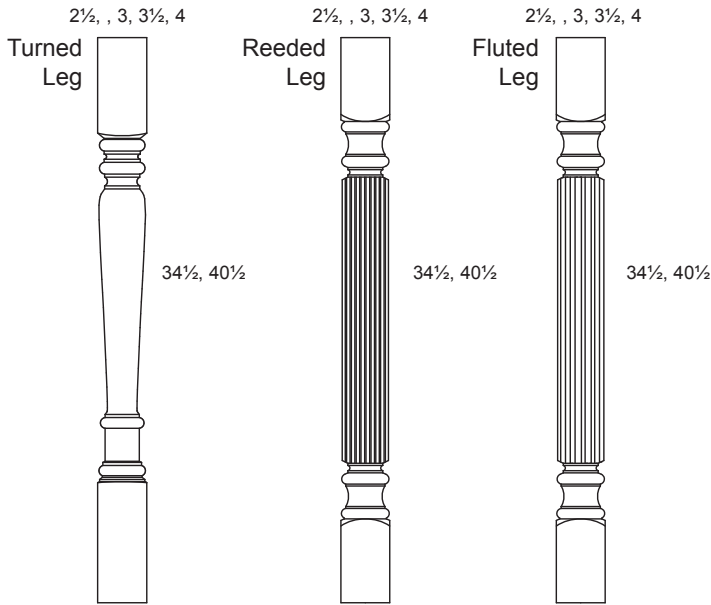
V36
V48
V60
V72
V84
V96
RAV36
RAV48
RAV60
RAV72
RAV84
RAV96
CV36
CV48
CV60
CV72
CV84
CV96

PRO/CROWN

RACV36
RACV48
RACV60
RACV72
RACV84
RACV96
ARPV30
ARPV36
ARPV42
ARPV48
ARPV54
ARPV60
ARPV72
ARPCV30
ARPCV36
ARPCV42
ARPCV48
ARPCV54
ARPCV60
ARPCV72
RAVBOX36X15
RAVBOX42X15
RAVBOX48X15
RAVBOX54X15
RAVBOX60X15
RAVBOX72X15
ARPBOX30X15
ARPBOX36X15
ARPBOX42X15
ARPBOX48X15
ARPBOX54X15
ARPBOX60X15
ARPBOX72X15

- Roman Arch valance trimmable up to 3".
- 3/4" thick veneer plywood or MDF shelf on canopy valance.
- On flat panel door styles, no raised center panels.
- RAVBOX's includes a solid wood slab Roman Arch Valance front.

Decorative Legs



PRO/CROWN

TL2534
TL3034
TL3534
TL4034
TL2540
TL3040
TL3540
TL4040

RL2534
RL3034
RL3534
RL4034
RL2540
RL3040
RL3540
RL4040

FL2534
FL3034
FL3534
FL4034
FL2540
FL3040
FL3540
FL4040

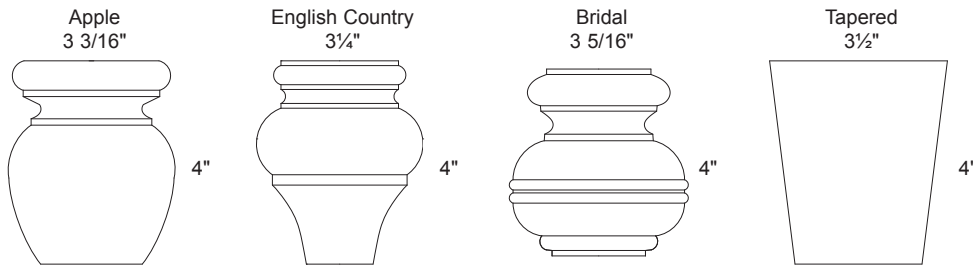
SL2534
SL3034
SL3534
SL4034
SL2540
SL3040
SL3540
SL4040

SHL2534
SHL3034
SHL3534
SHL4034
SHL2540
SHL3040
SHL3540
SHL4040

- Clear woods only.
- Specify Leg Cutting Options.
- 1 - Half Leg (make one full into two halves). Not available on Shaker.
- 2 - Diagonal Half Leg (make one full into two halves). Not available on Shaker.
- 3 - Quarter notched leg. Not available on Shaker.
- Lower Foot option (makes lower block into foot).

Available
Wood Types
A C H M O W

Decorative Feet



PRO/CROWN

AFOOT
ECFOOT
BFOOT
TFOOT

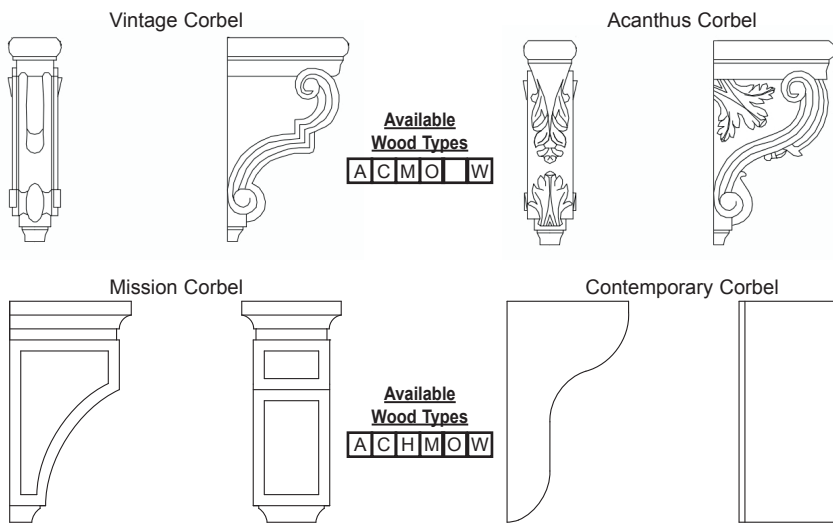
- Clear woods only.

Available
Wood Types

A C H M O W

Price Book Page Pro / Crown - 56

Decorative Corbels



PRO/CROWN

SVCORBEL
LVCORBEL
SACORBEL
LACORBEL
SMCORBEL
LMCORBEL
SCCORBEL
LCCORBEL

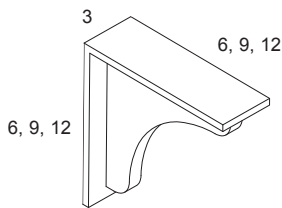
Available
Wood Types
A C H M O W

Available
Wood Types
A C H M O W

- | | D | H | W |
|------------------------------|----------------|---|---|
| • Small Vintage Corbel. | (5½ X 10 X 4½) | | |
| • Large Vintage Corbel. | (8 X 12¼ X 3½) | | |
| • Small Acanthus Corbel. | (5½ X 10 X 4½) | | |
| • Large Acanthus Corbel. | (8 X 12¼ X 3½) | | |
| • Small Mission Corbel. | (5½ X 10 X 4½) | | |
| • Large Mission Corbel. | (8 X 12¼ X 3½) | | |
| • Small Contemporary Corbel. | (5½ X 10 X 4¾) | | |
| • Large Contemporary Corbel. | (8 X 12¼ X 3¾) | | |
- Clear woods only.

Price Book Page Pro / Crown - 56

Counter Supports



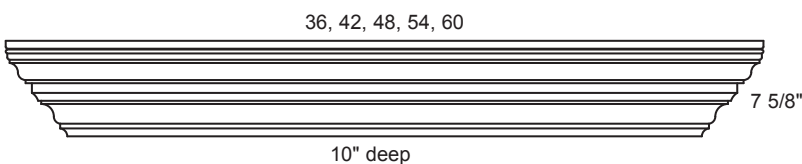
PRO/CROWN

CS6
CS9
CS12

- Solid wood. Support is ¾" thick.

Price Book Page Pro / Crown - 57

Mantels



PRO/CROWN

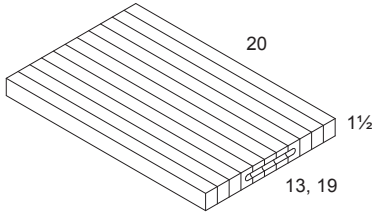
MANTEL36
MANTEL42
MANTEL48
MANTEL54
MANTEL60

- Mounting hardware not included.

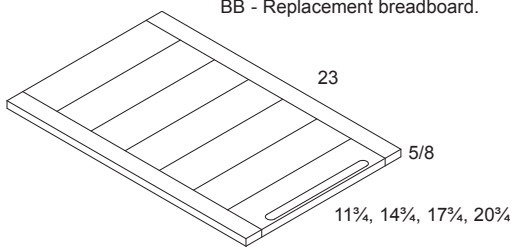
Available
Wood Types
A C H M O W

Price Book Page Pro / Crown - 57

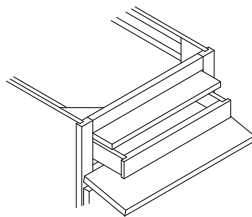
Maple Cutting Block, Alder Bread Boards



MCB - Replacement cutting block,
or
MCBK - Cutting block kit which
includes block, rails, and clips.



BB - Replacement breadboard.



BBK -
Breadboard kit:
breadboard,
runners,
knife drawer,
hardware.

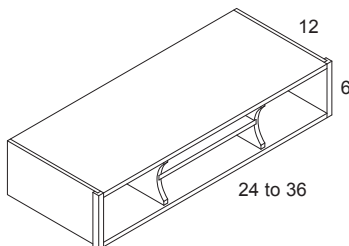
PRO/CROWN

MCB18
MCB24
MCBK18
MCBK24
BB15
BB18
BB21
BB24
BBK15
BBK18
BBK21
BBK24

- Cutting block is 1½" thick solid maple. Mounted to heavy duty glides which will lock in the out position. Easily removeable from the glides. Finger pull in the front of the block.
- Bread board is 5/8" thick solid alder. Reversible, finger pulls on both ends. Unfinished, needs to be treated before use.
- BBK and MCBK (K) indicates kit and includes everything pertaining to this option.
- No depth modifications available on the MCB.

Price Book Page | Pro / Crown - 57

Organizer



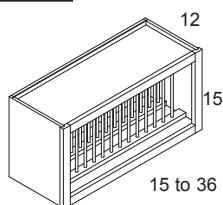
PRO/CROWN

ORG24
ORG27
ORG30
ORG33
ORG36

- Mounts underneath wall cabinet.
- Finished interior; end panels required if exposed.

Price Book Page | Pro / Crown - 57

Plate Rack



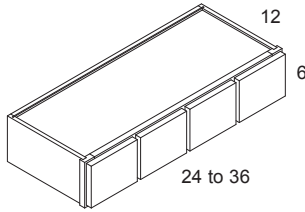
- Finished interior; end panels required if exposed.

PRO/CROWN

PR15
PR18
PR21
PR24
PR27
PR30
PR33
PR36

Price Book Page | Pro / Crown - 57

Spice Drawers



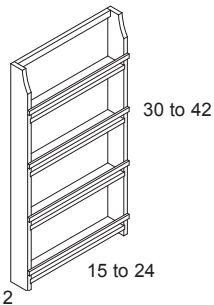
Price Book Page Pro / Crown - 57

PRO/CROWN

SD24
SD27
SD30
SD33
SD36

- Solid hardwood drawers with drawer fronts.
- No hardware on drawers.
- End panels required if exposed.
- 24" - 30" wide - 4 drawers, 33" - 36" - 5 drawers.

Spice Rack



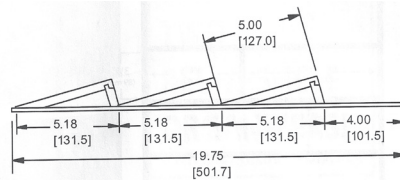
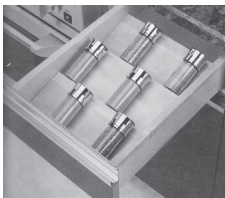
- Fits on back of wall cabinet door. Shelves must be trimmed when ordered as an accessory.
- All spice racks are constructed of solid alder.
- Available in bottom section of Transom cabinets.
- Shelf depth 2 1/8".

Price Book Page Pro / Crown - 57

PRO/CROWN

SR1530
SR1830
SR2130
SR2430
SR1533
SR1833
SR2133
SR2433
SR1536
SR1836
SR2136
SR2436
SR1539
SR1839
SR2139
SR2439
SR1542
SR1842
SR2142
SR2442

Wood Slanted Spice Drawer Insert



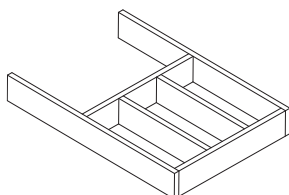
Price Book Page Pro / Crown - 58

PRO/CROWN

WSSD15
WSSD18
WSSD21
WSSD24

- Rack is made out of solid wood.

Cutlery Dividers



Inside Drawer Dimensions:

	<u>Crown</u>		<u>Drawer Upgrade</u>
15"	10 X 19	15"	10 1/4 X 19 3/4
18"	13 X 19	18"	13 1/4 X 19 3/4
21"	16 X 19	21"	16 1/4 X 19 3/4
24"	19 X 19	24"	19 1/4 X 19 3/4

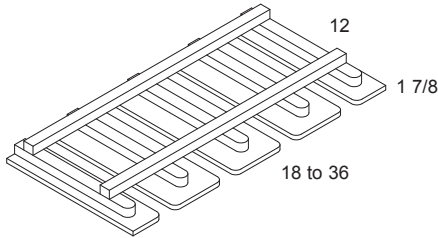
Price Book Page Pro / Crown - 58

PRO/CROWN

CD15
CD18
CD21
CD24

- Solid 1/2" thick Alder.
- Will ship as a loose accessory.
- CD15 - CD18 = 3 compartments.
- CD21 - CD24 = 4 compartments.

Stem Glass Holder



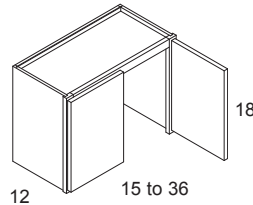
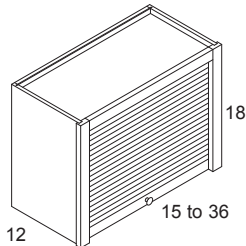
PRO/CROWN

SGH18
SGH21
SGH24
SGH27
SGH30
SGH33
SGH36

- Constructed out of solid hardwood.
- Specify wood type.

Price Book Page | Pro / Crown - 58

Appliance Garage Straight



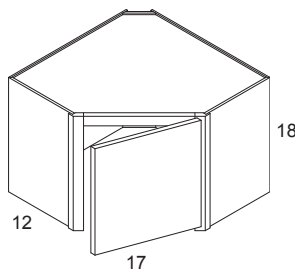
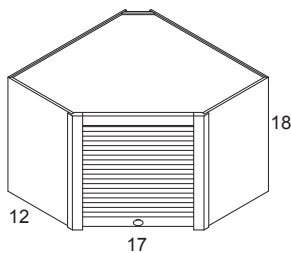
PRO/CROWN

AGS15
AGS18
AGS21
AGS24
AGS27
AGS30
AGS33
AGS36
AGSD15
AGSD18
AGSD21
AGSD24
AGSD27
AGSD30
AGSD33
AGSD36

- AGSD 15" - 24" come standard with single door.
- May require trim molding around the bottom.
- Requires end panels.
- Butt door standard 27" - 36" wide.
- 16½" opening height.
- Door option not trimmable.

Price Book Page | Pro / Crown - 60

Appliance Garage Corner 45°



PRO/CROWN

AGC24
AGCD24

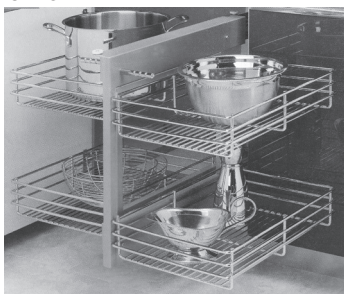
- May require trim molding around the bottom.
- Requires end panels.
- Butt door option available.
- 16½" opening height.
- Door option not trimmable.

Shown with door option

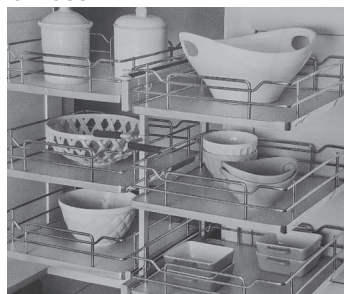
Price Book Page | Pro / Crown - 58

Corner Blind Pull Out

CBPO



CBPOSC



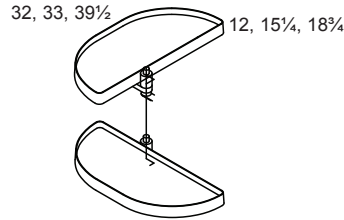
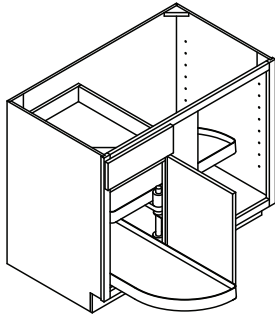
PRO/CROWN

CBPO45
CBPO48
CBPOSC45
CBPOSC48

- Steel hinge mounts inside cabinet.
- Trays swing out, and then pull out.
- Available for CB4548 or CB4851.
- CBPOSC soft close option. Includes solid bottom. 100 lb rating.

Price Book Page | Pro / Crown - 58

Swingout Shelves for Corner Base Cabinets



PRO/CROWN

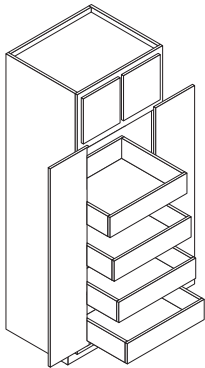
CBSS42
CBSS45
CBSS48

- Trays constructed out of heavy duty plastic. Two trays.
- Steel hinge mounts inside cabinet.
- Trays swing out, and then pull out.
- CBSS42 fits in CB4245
- CBSS45 fits in CB4548
- CBSS48 fits in CB4851

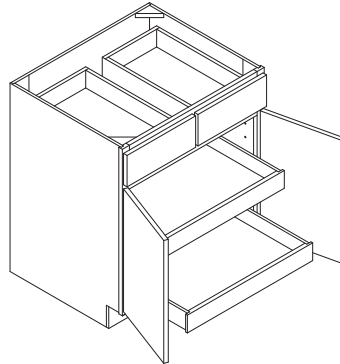
Price Book Page Pro / Crown - 58

Pull-Out-Tray Kits

Shown with four trays



Shown with two trays



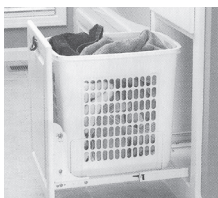
CROWN

POTK12
POTK15
POTK18
POTK21
POTK24
POTK27
POTK30
POTK33
POTK36

- **Not available in the Pro line.**
- Specify number of trays.
- Standard trays 1/2" dovetail baltic birch plywood, epoxy side mount glides. Upgrade options: Baltic upgrade: 5/8" dovetail baltic birch plywood, undermount, full extension, soft close glides. Drawer Upgrade Plus: 5/8" dovetail alder, undermount, full extension, soft close deluxe glides.
- Standard POT is 3" high. Upgraded POT is 4" high and adjustable.
- 27" - 36" Loose Mullion standard or Butt door option available.
- 24" - 36" Butt doors standard on pantry cabinets when kit is ordered.

Price Book Page Crown - 58

Roll Out Vanity Hamper



PRO/CROWN

RVH18-1

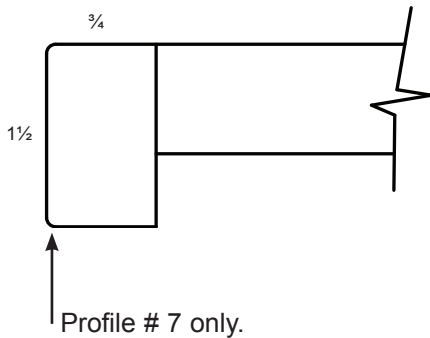
- Includes door mount kit.
- Includes one ventilated polymer basket.
- Fits in VFH18 or VB1821X341/2.

Price Book Page Crown - 60

Wall, Base, Utility, and Vanity Shelf Kits



Cross Section
Solid Wood Shelf Cap Option



PRO/CROWN

BSK0924
BSK1224
BSK1524
BSK1824
BSK2124
BSK2424
BSK2724
BSK3024
BSK3324
BSK3624
BSK3924
BSK4224
BSK4524
BSK4824

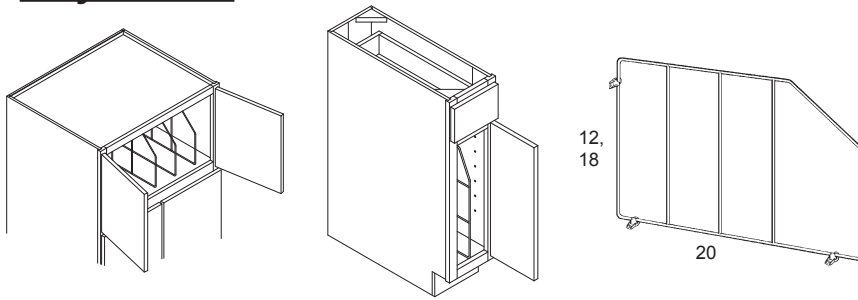
PRO/CROWN

VSK0921
VSK1221
VSK1521
VSK1821
VSK2121
VSK2421
VSK2721
VSK3021
VSK3321
VSK3621
VSK3921
VSK4221
VSK4521
VSK4821

USK0924
USK1224
USK1524
USK1824
USK2124
USK2424
USK2724
USK3024
USK3324
USK3624
WSK0912
WSK1212
WSK1512
WSK1812
WSK2112
WSK2412
WSK2712
WSK3012
WSK3312
WSK3612
WSK3912
WSK4212
WSK4512
WSK4812

- Optional wood cap 1 1/4 x 3/4" solid, wood cap on finished interior shelves. Shelves come with the #7 profile on both front edges.
- Pro line shelving is 1/2" thick particle board.
- Crown shelving 3/4" thick.
- WSK's include two shelves and clips.
- USK's include four shelves and clips.
- BSK's, VSK's include one shelf and clips.
- Specify line and size.

Tray Divider



PRO/CROWN

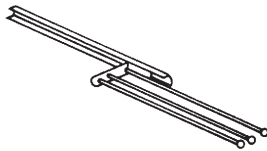
TD12

TD18

- Dividers are white painted steel.
- When ordered as a kit, requires installation of three plastic mounting brackets.
- Specify quantity.
- Specify height if ordered as an accessory.

Price Book Page Pro / Crown - 59

Sliding Towel Rack



PRO/CROWN

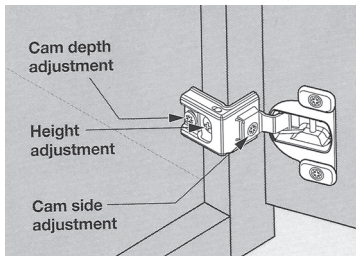
TR

- Heavy duty steel construction, painted white.
- Clear rubber ends for protection.
- 16" extension.
- Unit is 5" wide.
- Mounts in cabinet on the side.

Price Book Page Pro / Crown - 61

Replacement Hinge

Two dimensional, independent adjustment



PRO/CROWN

HINGE

- Soft close in Crown line.
- Steel, nickel plated.
- Lifetime warranty.
- Specify line, style overlay, and cabinet to get the proper hinge when ordering.
- Height, width & depth adjustment.
- Concealed, 6 way adjustable.
- 3/4" overlay - 105° opening.
- 1 1/4" overlay - 107° opening.
- Pro - 106° opening.

Price Book Page Pro / Crown - 59

Sliding Base Waste Insert Option



CROWN

RV15-1

- Requires cabinet to be ordered without a shelf, or if ordered as a kit will require removal of the base shelf.
- White painted steel.
- One can for 15" cabinet.
- Includes door mount kit.
- 30 qt. container.

CROWN

RV15-2

- White painted steel.
- Two cans for a 15" cabinet.
- Includes door mount kit.
- 27 qt. containers.

Price Book Page Pro / Crown - 60

Sliding Base Waste Insert Options cont.



CROWN

RV15FH-1

- White painted steel.
- One can for a 15" full height cabinet.
- Includes door mount kit.
- 50 qt. container.



CROWN

RV18-1

- White painted steel.
- One can for a 18" cabinet.
- Includes door mount kit.
- 35 qt. container.



CROWN

RV18-2

- White painted steel.
- Two cans for a 18" cabinet.
- Includes door mount kit.
- 35 qt. containers.



CROWN

WC15-1

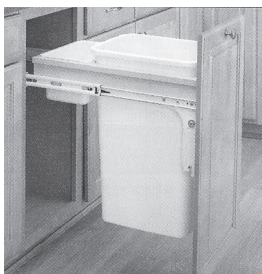
- Wood top mount.
- One can for a 15" cabinet.
- Includes door mount kit.
- 35 qt. container.
- Soft Close



CROWN

WC15-2

- Wood top mount.
- Two cans for a 15" cabinet.
- Includes door mount kit.
- 27 qt. containers.
- Soft Close

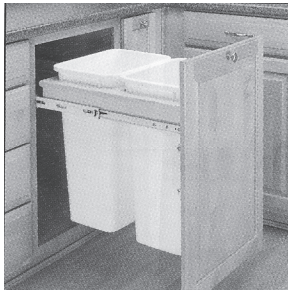


CROWN

WC15FH-1

- Wood top mount.
- One can for a 15" full height cabinet.
- Includes door mount kit.
- 50 qt. container.
- Soft Close

Sliding Base Waste Insert Options cont.



CROWN

WC18-2

WC21-2

WC24-2

- Wood top mount.
- Two cans for 18", 21" and 24" wide cabinets.
- Includes door mount kit.
- 35 qt. containers. Deck grows for each size.
- Soft Close

CROWN

WC21FH-2

- Wood top mount.
- Two cans for a 21" full height cabinet.
- Includes door mount kit.
- 50 qt. containers.
- Soft Close

CROWN

HD15-1

- Soft-open/soft-close slide system
- Single 35 Qt. container for a 15" cabinet
- Built-in rear storage area
- Easy to clean durable molded base
- Door mounted

CROWN

HD15FH-1

- Soft-open/soft-close slide system
- Single 50 Qt. container for a 15" cabinet
- Built-in rear storage area
- Easy to clean durable molded base
- Door mounted

CROWN

HD15-2

- Soft-open/soft-close slide system
- Double 27 Qt. containers for a 15" cabinet
- Easy to clean durable molded base
- Door mounted

Sliding Base Waste Insert Options cont.



CROWN
HD18-2

- Soft-open/soft-close slide system
- Double 35 Qt. containers for a 18" cabinet
- Easy to clean durable molded base
- Door mounted



CROWN
HD21FH-2

- Soft-open/soft-close slide system
- Double 50 Qt. containers for a 21" cabinet
- Easy to clean durable molded base
- Door mounted



CROWN
REC24-3

- Full-extended, soft-close, ball-bearing slides
- Three 25 Qt. containers and one canvas bag
- Fits a 24" cabinet
- Removable containers for easy cleaning
- Door mounted

Price Book Page Pro / Crown - 60

LUD-A



LUD-B



LUD-C



Lift Up Door Options

- LUD-A option - entry level, works with existing hinges.
- LUD-B option - heavier duty mechanism replaces existing hinges.
- LUD-C option - same as B, heaviest duty.
- Horizontal grain on doors.
- Single doors only.
- Option A available on wall cabinets 30" - 37", 42", 48" wide, 12" - 21" high.
- Option B available on wall cabinets 30" - 37", 42", 48" wide, 12" - 15" high.
- Option C available on wall cabinets 30" - 37", wide, 15" - 24" high.
- If other sizes are needed, call for availability.
- Specify option after regular wall cabinet nomenclature for example: W3015 LUD-A.

CROWN

LUD-A
LUD-B
LUD-C

Price Book Page Pro / Crown - 61

Wood Utility Pull Outs



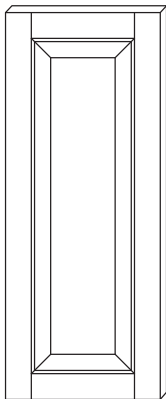
CROWN

UPO09
UPO12
UPO15
UPO18

- Heavy duty wood pull outs for utility cabinets only. Not available for utility linen cabinets.
- Available for utility cabinets 9", 12", 15", and 18" wide.
- Only available for 24" deep utility cabinets.

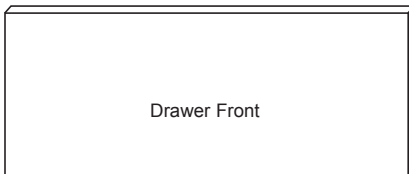
Price Book Page Pro / Crown - 58

Replacement Doors / Door No Bore / Drawer Fronts



Door

Replacement Doors / Door No Bore:
(RD, Door No Bore - specify size)



Drawer Front

Replacement Drawer Fronts:
(RDF)

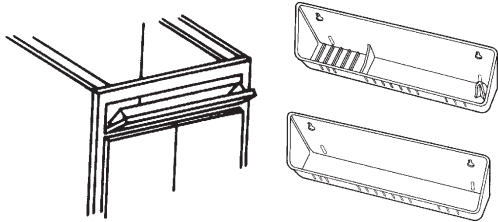
PRO/CROWN

RD≤18" wide X ≤30" high
RD≤18" wide X 30" - 42" high
RD≤18" wide X >42" high
RD21" - 24" wide X ≤30" high
RD21" - 24" wide X 30" - 42" high
RD21" - 24" wide X >42" high
RDF≤24" wide X ≤8" high
RDF>24" wide X ≤8" high
RDF≤24" wide X >8" high
RDF>24" wide X >8" high

- Specify style, wood type, finish.
- Specify size.
- Specify if you want no bore.
- Hinges sold separately.

Price Book Page Pro / Crown - 60

Tilt Out Tray Kits



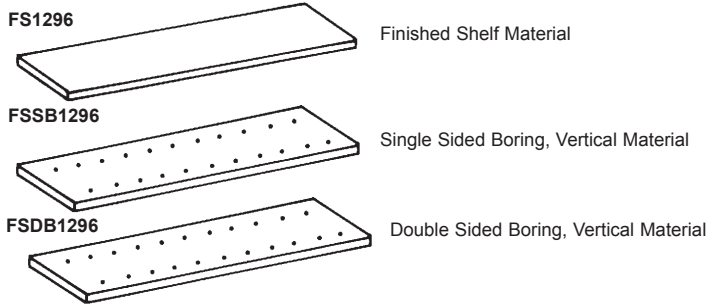
PRO/CROWN

TOTK15
TOTK18
TOTK30
TOTK36

- Includes tray(s) and hinges.
- 15" - 11¼" X 2" single tray.
- 18" - 14¼" X 2" single tray.
- 30" - 11¼" X 2" double trays.
- 36" - 14¼" X 2" double trays.
- Heavy duty plastic.

Price Book Page | Pro / Crown - 60

Book Case Components



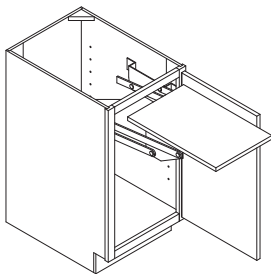
PRO/CROWN

FS1296
FSSB1296
FSDB1296

- ¾" thick veneer plywood, finished both sides.
- Veneer edge banding.
- Material is 12" wide X 96" long.
- Shelf units need to be fabricated on site.
- Clips sold separately.

Price Book Page | Pro / Crown - 60

Mixer Shelf



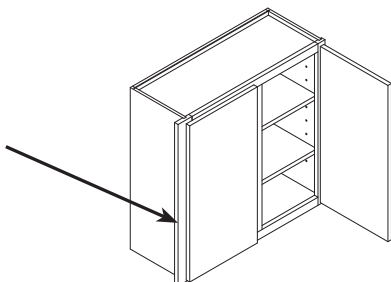
CROWN

MS15
MS18
MSSC15
MSSC18

- Fits in full height door base cabinets 15" or 18" wide.
- Shelf locks in the up position.
- Constructed out of heavy duty steel.
- Top 1 ½" solid maple.
- Will not operate with shelf or pull out trays installed. 60 lb. limit.
- MSSC soft close option.

Price Book Page | Pro / Crown - 60

Extended Styles



PRO

N/A

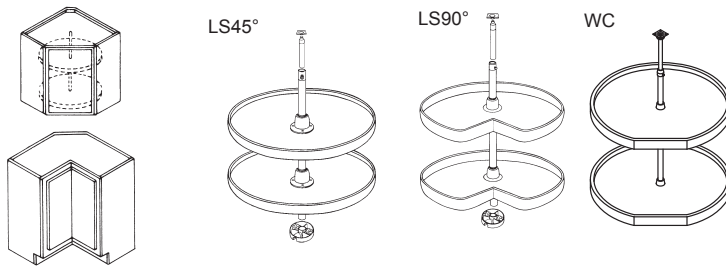
CROWN

ES

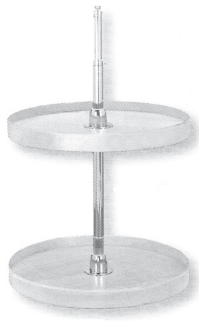
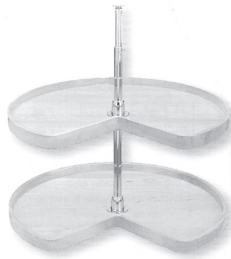
- Extension of the face frame in 1/8" increments up to 2".
- Eliminates the need for fillers.
- Eliminates clearance problems when installing square profile doors next to wall.
- Specify dimension and left, right or both sides.

Price Book Page | Pro / Crown - 60

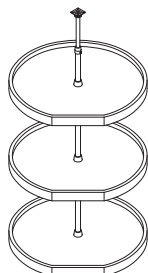
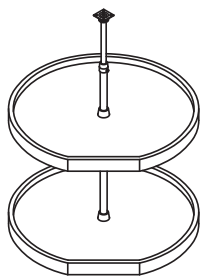
Lazy Susan Polymer Shelf Kits for Replacement



Lazy Susan Base Wood Tray Upgrade Options for LS, WC Cabinets Pages 62-63.



Lazy Susan Wall Corner Wood Tray Upgrade Options for WC Cabinets Pages 35.



CROWN

LSSK2190
LSSK2490
LSSK2145
LSSK2445
LSSKWC24-2
LSSKWC27-2
LSSKWC24-3
LSSKWC27-3

- Two plastic shelves, center pole, and mounting brackets. 39", 42" high WCLSSK includes three shelves.
- Specify height of WCLSSK.
- Pro line system attaches to revolving door, not shown.

CROWN

WLSSK2190
WLSSK2490

- Maple plywood shelf with solid maple 1" high rim upgrade.
- Two kidney shaped trays per set.
- The WLSSK2190 kit is for use in LS33-90 & LS36-90 cabinets.
- WLSSK2490 is included for LSF36-90 cabinet. (32" diameter).

CROWN

WLSSK2145
WLSSK2445

- Maple plywood shelf with solid maple 1" high rim upgrade.
- Two full round trays per set 28" or 32" diameter. 32" full depth only.

CROWN

WLSSKWC24-2
WLSSKWC27-2

- Maple plywood shelf with solid maple 1" high rim upgrade.
- Two D trays per set 20" diameter or 22" diameter.
- For use in 30" - 36" high cabinets.

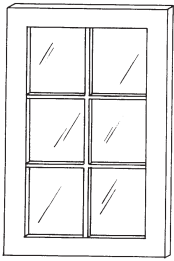
CROWN

WLSSKWC24-3
WLSSKWC27-3

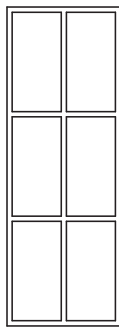
- Maple plywood shelf with solid maple 1" high rim upgrade.
- Three D trays per set 20" diameter or 22" diameter.
- For use in 39" - 42" high cabinets.

Lattice Doors / Lattice Door Inserts

LD

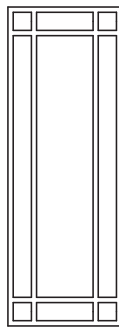


LI-TG



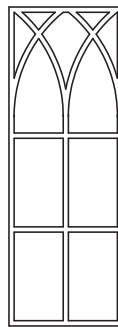
Traditional Grid

LI-PG



Perimeter Grid

LI-AG



Arched Grid

Perimeter and Arched requires 15" wide, 18" high cabinet minimum.

CROWN

LD30
LD36
LD42
LD54
LD60
LI30 - TG
LI36 - TG
LI42 - TG
LI54 - TG
LI60 - TG

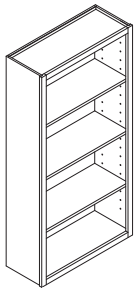
CROWN

LI30 - PG
LI36 - PG
LI42 - PG
LI54 - PG
LI60 - PG
LI30 - AG
LI36 - AG
LI42 - AG
LI54 - AG
LI60 - AG

- LD option available on doors with mortise and tenon construction only.
- Door comes prepared for glass, glass not included.
- Add LD or LI charge to the cost of the cabinet or replacement door.
- LI option not available on Studio, Thermofoil or arched styles. 1/4" thick veneered inserts.

Price Book Page Pro / Crown - 61

Finished Interiors



Price Book Page Pro / Crown - 61

CROWN

FI

- Cabinetry finished on the inside with veneer to match exterior.
- Primarily for use on cabinets with cut for glass doors.
- All Crown Open Shelf cabinetry, excluding WMW's comes with finished interiors as a standard.
- Specify FI after regular cabinet nomenclature i.e. W3030 CFG FI; where CFG indicates cut for glass doors and FI indicates Finished Interiors.
- Finished Interiors are species specific.

Stain / Paint Touch Up



Price Book Page Pro / Crown - 61

PRO/CROWN

STAIN-QT
PAINT-QT
SPRAY PAINT

- Quart can of touch up stain or paint.
- Specify stain or paint color.
- Natural is not a stain color, only a top coat.
- For touch up work on the top coat, use satin polyurethane.
- Stain and paint are intended for spray application only. Mix well before use.
- Spray paint cans are approximately 6 oz., paint colors only.
- Shelf life is approximately a year.

Stain Pen



Price Book Page Pro / Crown - 61

PRO/CROWN

STAIN-PEN

- Specify stain color.
- Pen has a magic marker like tip.
- Natural is not a stain color, only a top coat.
- Pen has a shelf life of approximately 90 days.
- Shake well before using.

Touch Up Kits



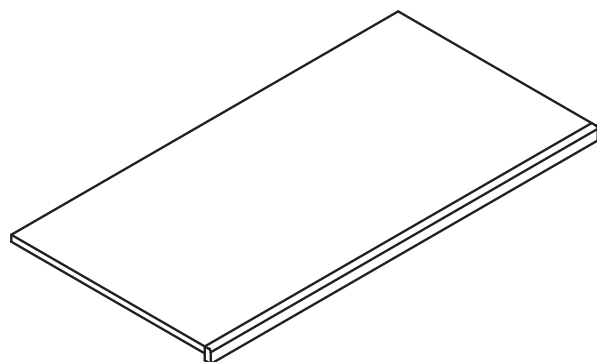
PRO/CROWN

TUK

- Available for all finishes except French Roast, Mushroom and Wheat.
- Kit includes a stain pen, putty stick, scuff pad and scraper. Glaze pen may be added for an upcharge.
- Shelf life 1 year on stain and glaze pens.

Price Book Page | Pro / Crown - 61

Wood Tops



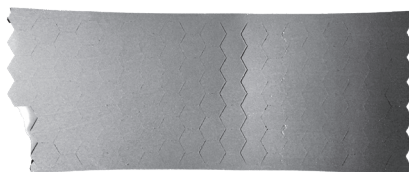
PRO/CROWN

WOOD TOP

- Available in rectangular shaped sizes.
- Specify sizing.
- Maximum depth 48"
Maximum length 96" not including 3/4" SC molding overhang where applied.
- 3/4" X 1 1/2" solid wood edging. Specify profile.
- Available profiles 1 - 9.
- Specify finished left, right, front, back.
- Round up when calculating square footage.

Price Book Page | Pro / Crown - 61

Door / Drawer Bumper pads - 100 ct.



PRO/CROWN

Door / Drawer bumpers - 100 ct.

- Sticky back foam door and drawer bumper pads are 1/8" thick foam and come in brown for darker finishes or off white for lighter finishes.

Price Book Page | Pro / Crown - 61

Octogon Door Display Spinner

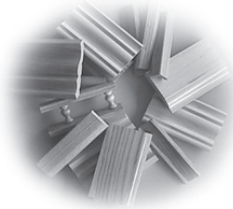


Price Book Page | Pro / Crown - 61

PRO/CROWN ODDS

- Display holds 32 doors.
- CM41 molding on top.
- Display rotates 360° on a sturdy base.
- Specify door styles and colors.
- Door size 12" x 18".

Molding Sample Kit / Color Block Samples



Price Book Page | Pro / Crown - 61

PRO/CROWN MSK CBS

- The molding sample kit holds 4" sections of all of the available molding types.
- Color Blocks (CBS) are 3" X 5", all woods times all stains or paints. Glaze samples not included. Order sample doors to display glaze.

Selling Center Display

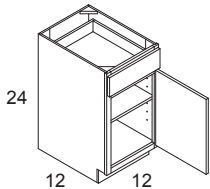


Price Book Page | Pro / Crown - 61

PRO/CROWN SCD36 SCD48 SCD72

- Standard units 36", 48", 72" wide, 24" deep, 90" high.
- Displays cabinet construction, drawer construction on both lines.
- 36"-28 doors, 3 base cabinets, 48"-40 doors, 4 base cabinets, 72" 66 doors, 4 base cabinets.
- Fluted columns pull out to display moldings, wood and stain samples.
- Everything is labeled, shows features and benefits.

Mini Base Cabinet



Price Book Page | Pro / Crown - 61

PRO/CROWN MBC

- Mini Base useful for office or home visits.
- Easy to handle and store in car.
- Useful tool for product knowledge training.
- Specify line, wood type, stain color.
- XL door styles not available.

Dealer Starter Kit

Price Book Page | Pro / Crown - 61

PRO/CROWN DSK

- Includes 10 selling center doors, specify.
- Includes set of color blocks.
- Includes mini base cabinet, specify.

Pro line - see Crown pricing for upcharges

- Crown Drawer upgrade ½" dovetail UV Coated Baltic Birch Plywood dovetail drawer box with 75 lb. limit, epoxy coated side mount glides.
- Baltic upgrade 5/8" dovetail baltic birch plywood drawer box with undermount full extension, softclose glides.
- Cut for glass (CFG).
- Wall depth increase to 15".
- Depth decrease to 18" or 21" deep.
- Flush toe kick (FTK).
- Kitchen height vanity.
- Optional back for vanities or sink base cabinets.
- For costs see pages 7-9 of crown price list.

Crown line - see Crown pricing for upcharges

- 3 door modification on wall cabinets 36" - 48" wide, 24" - 48" tall.
- 3" wide styles and rails - Cascade, Vintage, Ridgeline, Pioneer and Millcreek styles. Specify "XL" after door name.
- ADA Modification - Base cabinets 32½" high.
- Appliance custom cutouts: single, double, triple. Provide appliance specs with order and specify which cabinets need cutouts.
- Beaded back panel on open shelf cabinetry. Requires finished interior upcharge also.
- Butt doors (BD). Available on 24" - 48" wide.
- 39" to 48" will have a center stile.
- Cabinet without doors.
- Combination vanities specify drawers right or left.
- Cut for Glass (CFG) doors.
- Cut for Glass or Lattice on Thermofoil (TF) door styles.
- Depth decrease. 3" increments.
- Depth increase - wall cabinets to 15".
- Depth increase - wall cabinets more than 15".
- Depth changes available on drawer units - 12", 15", 18", 21", vanities 24".
- Depth changes on Pullout Tray Cabinets - 12", 15", 18", 21".
- Door no bore custom sized.
- Double door on 24" wide cabinets.
- Double entry.
- 5 piece drawer front upgrade available on Shaker, Pioneer, Clearcreek, Millcreek and Bigcreek.
- Baltic upgrade - 5/8" dovetail baltic birch plywood drawer box with undermount full extension, softclose glides.
- Drawer upgrade plus - 5/8" dovetail alder drawer box with deluxe undermount full extension softclose glides. May be ordered with a scoop front on the drawer box. Specify.
- Extended Stiles - 1/8" increments up to 2".
- Face Frame & Doors (FF&D) only.
- Factory applied end panels.
- False front option for base cabinets.
- Filler Box width decrease, 1½" minimum.
- Filler Box width increase, 6" max.
- Filler Box with finished back.
- Fillers finished all sides.
- Fillers finished edges.
- Finished Interiors (FI).
- Flush end modification for DEP & REP.
- Flush toe kicks (FTK).
- Glaze - Onyx and Toffee.
- Kitchen height vanity 34½" high.
- Lattice doors (LD) on Ridgeline, Clearcreek, Millcreek, Pioneer, Shaker, Cascade, Vintage, Thermofoil, door styles only.
- Lattice inserts (LI). Not available on Studio and Thermofoil door styles.
- Lazy Susan wood tray upgrade.
- Loose mullion doors.
- Loose toe kick (LTK).
- Medicine cabinet with center panel in the door.
- No Toe Kick.
- Paint.
- Plywood cabinet box.
- Shelf Cap 1½" solid beveled, wood end caps on 3/4" thick, finished interiors shelf.
- 3" roman arch top rail option for open shelf cabinetry.
- 3" fluted top rail option for open shelf cabinetry.
- 3" top rail option for open shelf cabinetry.
- Vanity back.
- Vanity Drawer Bank - 4 drawer on 34½" tall vanities.
- Vanity Linen with 4 drawers, to go with kitchen height vanities.
- Wall cabinets - no bottom rail or shelf (floor, bottom). Available up to 36" wide.
- For costs see pages 7-9 of crown price list.

One-Year Limited Warranty

Olympia Sales Company, Inc. (Crown Cabinets) hereby warrants all cabinetry and accessories (products) manufactured and sold hereunder by Olympia Sales Company, Inc. (Crown Cabinets) to be free from defects in materials and craftsmanship for a period of one year from the date of shipment. All warranty claims for defective products must be submitted directly to Olympia Sales Company, Inc. (Crown Cabinets) in writing and specify the defects found and present in the materials or craftsmanship of the products.

After Olympia Sales Company, Inc. (Crown Cabinets) or an authorized representative thereof, has inspected the defective products, the company will, at its discretion, either replace or repair the defective products. This warranty is conditional on the customer's proper handling of the products after they have been delivered, and during the installation process. This warranty is also conditional on the customer's proper use of the products. If there are any obvious signs of abuse or misuse this warranty may be voided. Olympia Sales Company's obligation under this warranty is limited to repair or replacement of parts which prove to be defective, and does not cover the costs, including labor for the removal and installation of our products or components.

All products ordered from Olympia Sales Company, Inc. (Crown Cabinets) unfinished (without the sealer and topcoat finish) will void any and all warranties written or stated above.

ALL IMPLIED WARRANTIES, INCLUDING WITHOUT LIMITATION, WARRANTIES OF MERCHANTABILITY OR FITNESS FOR A PARTICULAR PURPOSE, ARE LIMITED IN DURATION TO ONE YEAR. OLYMPIA SALES COMPANY, INC. (CROWN CABINETS) SOLE RESPONSIBILITY IS WITH RESPECT TO THE CABINETRY AND ACCESSORIES. OLYMPIA SALES COMPANY, INC. (CROWN CABINETS) IS NOT LIABLE FOR CONSEQUENTIAL, INDIRECT OR INCIDENTAL DAMAGES.

Some states do not allow limitations on how long an implied warranty may last or limitations and exclusions of incidental or consequential damages, so the above limitations and exclusions may not apply to you.

This warranty gives you specific legal rights; you may also have other rights which vary from state to state.

Lifetime Limited Warranty on Hardware

Olympia Sales Company, Inc. (Crown Cabinets) hereby warrants all Crown Line hinges and drawer hardware to be free from defects for the life of the kitchen or the duration of the products use as originally installed. This warranty is limited to the original buyer and is not transferrable. All claims for defective hardware must be made to Olympia Sales Company, Inc. (Crown Cabinets) or an authorized agent thereof, in writing or by fax or a phone call to us. All defective hardware is subject to inspection if deemed necessary by Olympia Sales Company, Inc. (Crown Cabinets).

After Olympia Sales Company, Inc. (Crown Cabinets) or an authorized representative thereof, has inspected the defective hardware, the company will, at its discretion, either replace or repair the defective products. This warranty is conditional on the customer's proper use of the hardware. If there are any obvious signs of abuse or misuse this warranty may be voided.

ALL IMPLIED WARRANTIES, INCLUDING WITHOUT LIMITATION, WARRANTIES OF MERCHANTABILITY OR FITNESS FOR A PARTICULAR PURPOSE, ARE LIMITED IN DURATION TO THE LIFETIME OF THE KITCHEN WARRANTED TO THE ORIGINAL BUYER AND IS NOT TRANSFERRABLE. OLYMPIA SALES COMPANY'S (CROWN CABINETS) RESPONSIBILITY, WITH RESPECT TO THE DOOR AND DRAWER HARDWARE, IS THE REPAIR OR REPLACEMENT OF DEFECTIVE COMPONENTS. OLYMPIA SALES COMPANY INC. (CROWN CABINETS) IS NOT LIABLE FOR CONSEQUENTIAL, INDIRECT OR INCIDENTAL DAMAGES.

Some states do not allow limitations on how long an implied warranty may last or limitations and exclusions of incidental or consequential damages, so the above limitations and exclusions may not apply to you. This warranty gives you specific legal rights; you may also have other rights which vary from state to state.

Continuous Product Improvement Statement

Olympia Sales Company, Inc. (Crown Cabinets) reserves the right to change specifications in our product designs and materials in an effort to continually improve our products and ensure our customer's satisfaction.



By Olympia Manufacturing Co.
www.crowncabinets.com